

DIXIE CHOPPER[®]

XT12

COLLECTION SYSTEM

Unit Model #: 38621239

Mower: Dixie Chopper

Owner's Manual: Q0464

Mower Type: Classic 2750, 2760 & 3372

Engine Type: KW 27HP & GEN 33HP

Deck Size: 50", 60" & 72"

Vac Type: 12 Cu. Ft. Pro 12 DFS

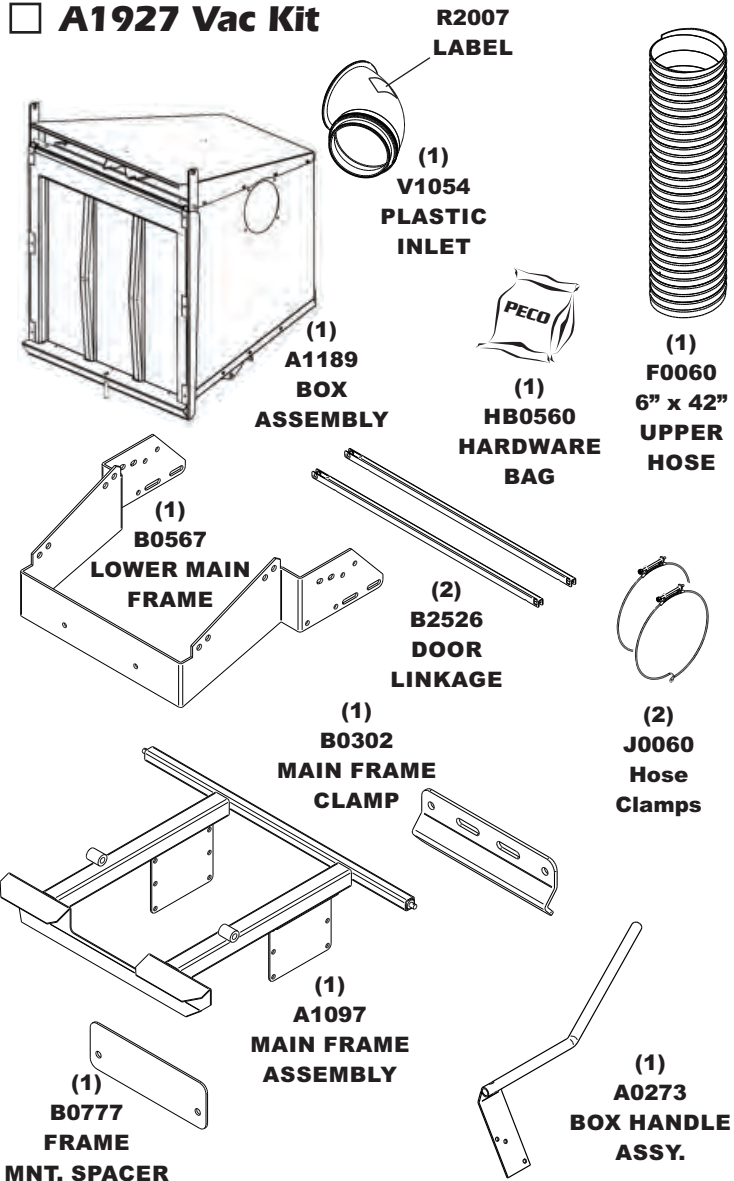
Deck Type:

Drive Type: Briggs & Stratton 6.5HP Vanguard

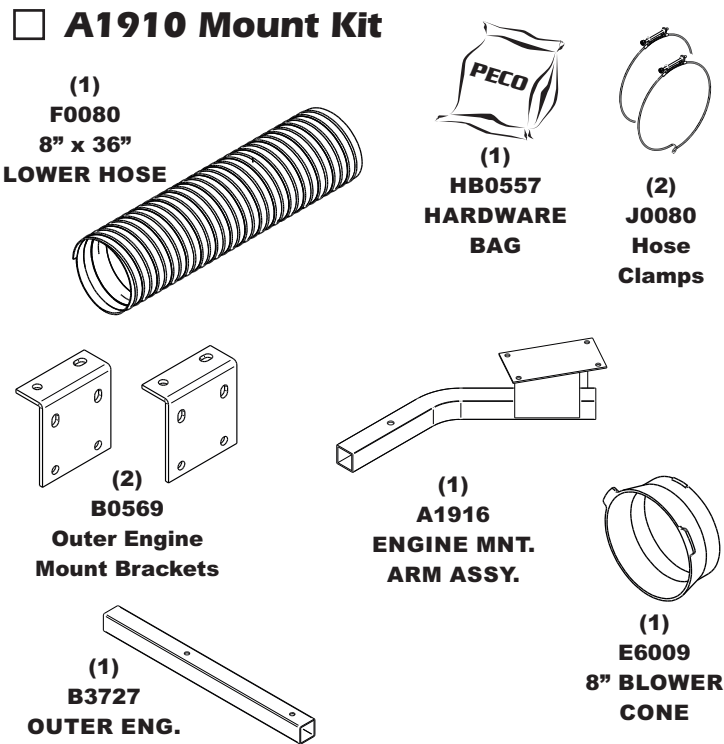
Revision #: Final Release

Fits Year(s): 2011-2014

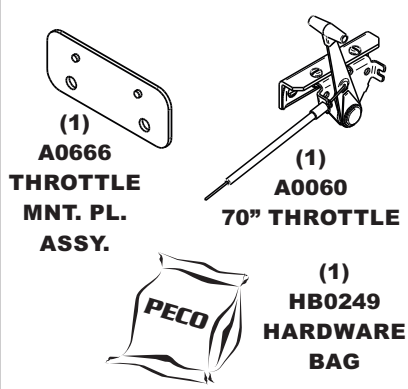
A1927 Vac Kit



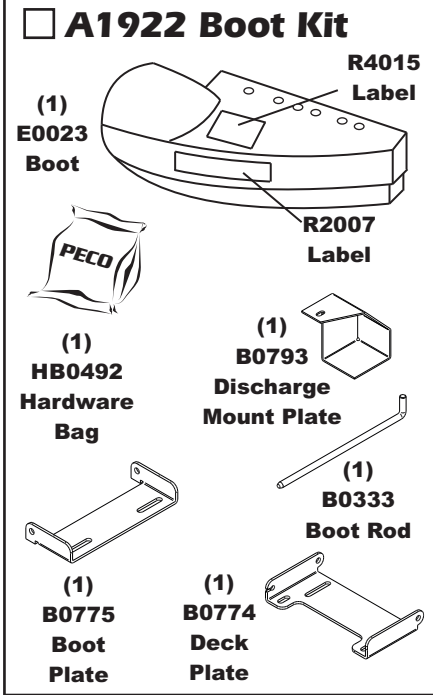
A1910 Mount Kit



A0619 Throttle Kit



A1922 Boot Kit



A1879 Weight Kit

