

DIXIE CHOPPER[®]

XT12

COLLECTION SYSTEM

Unit Model #: 38621238

Mower: Dixie Chopper

Owner's Manual: Q0445

Mower Type: Classic 2960, & 3360

Engine Type: KH 29HP & GEN 33HP

Deck Size: 50" & 60"

Vac Type: 12 Cu. Ft. Pro 12 DFS

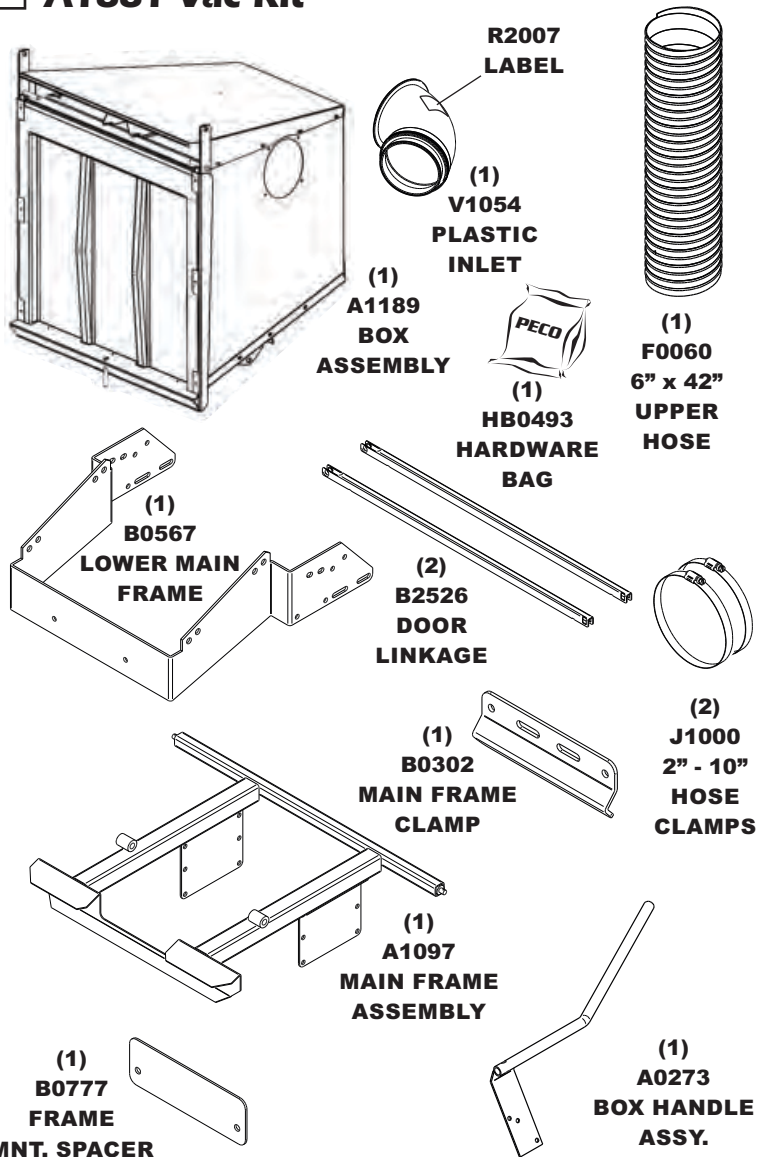
Deck Type:

Drive Type: PTO Drive

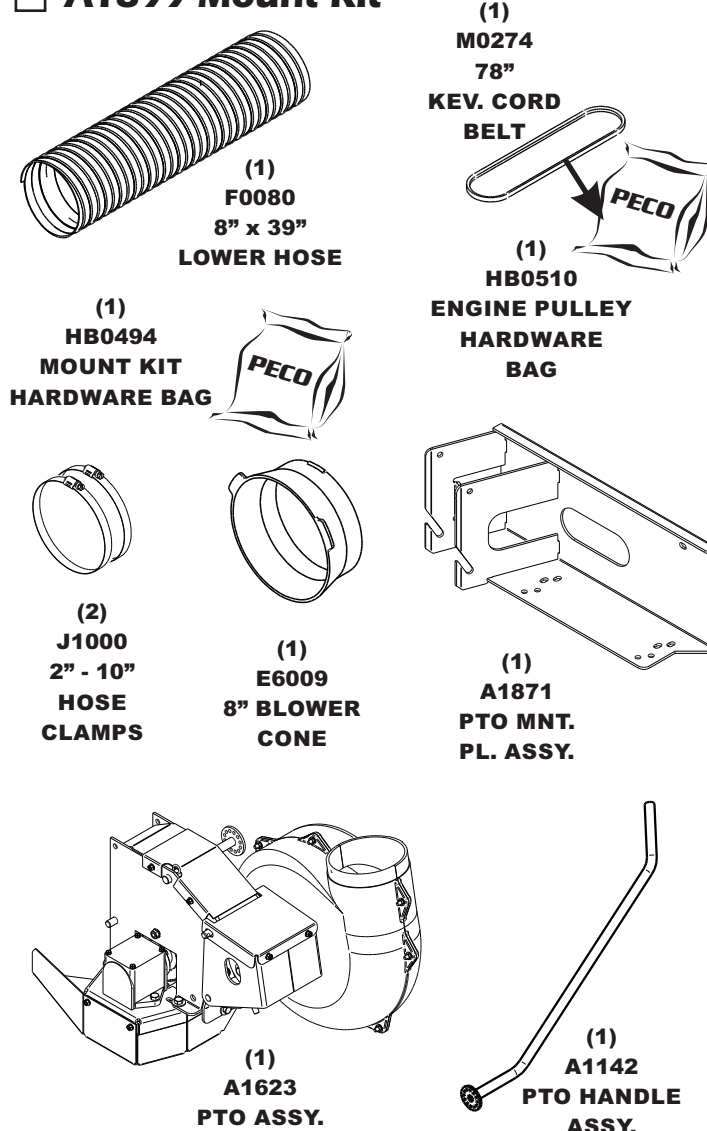
Revision #: Final Release 3/18/2013

Fits Year(s): 2011-2014

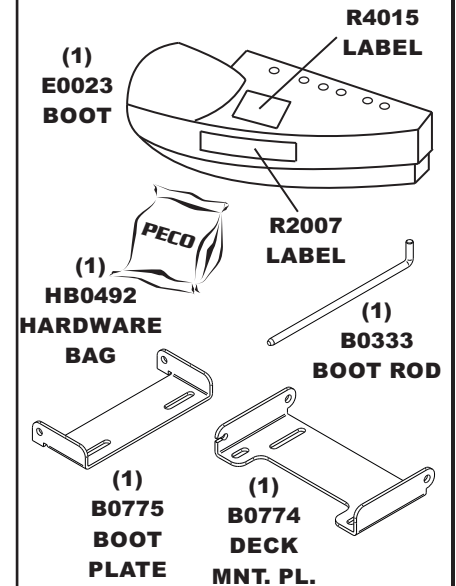
A1881 Vac Kit



A1899 Mount Kit



A1880 Boot Kit



A1879 Weight Kit

