

# DIXIE CHOPPER<sup>®</sup>

# XT12

COLLECTION SYSTEM

**Unit Model #: 38621237**

**Mower:** Dixie Chopper

**Owner's Manual:** Q0445

**Mower Type:** Xcaliber 3366

**Engine Type:** Generac 33HP & Kohler 40HP

**Deck Size:** 66"

**Vac Type:** 12 Cu. Ft. Pro 12 DFS

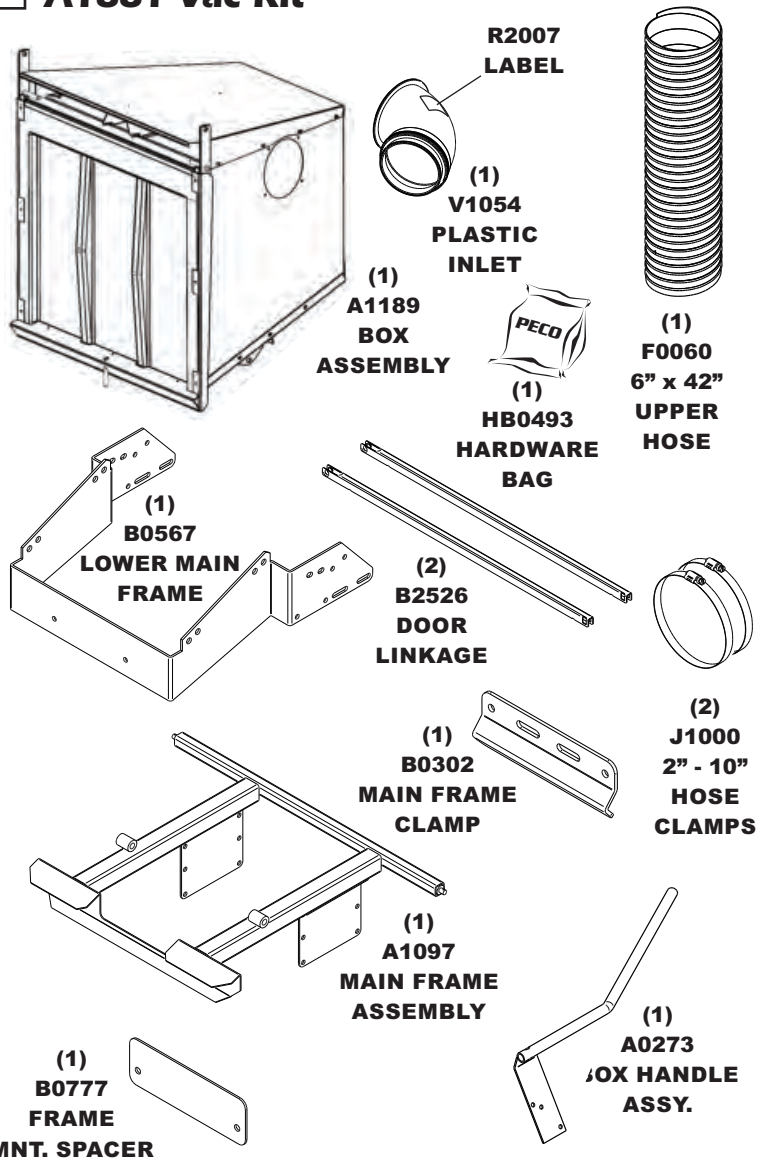
**Deck Type:**

**Drive Type:** PTO Drive

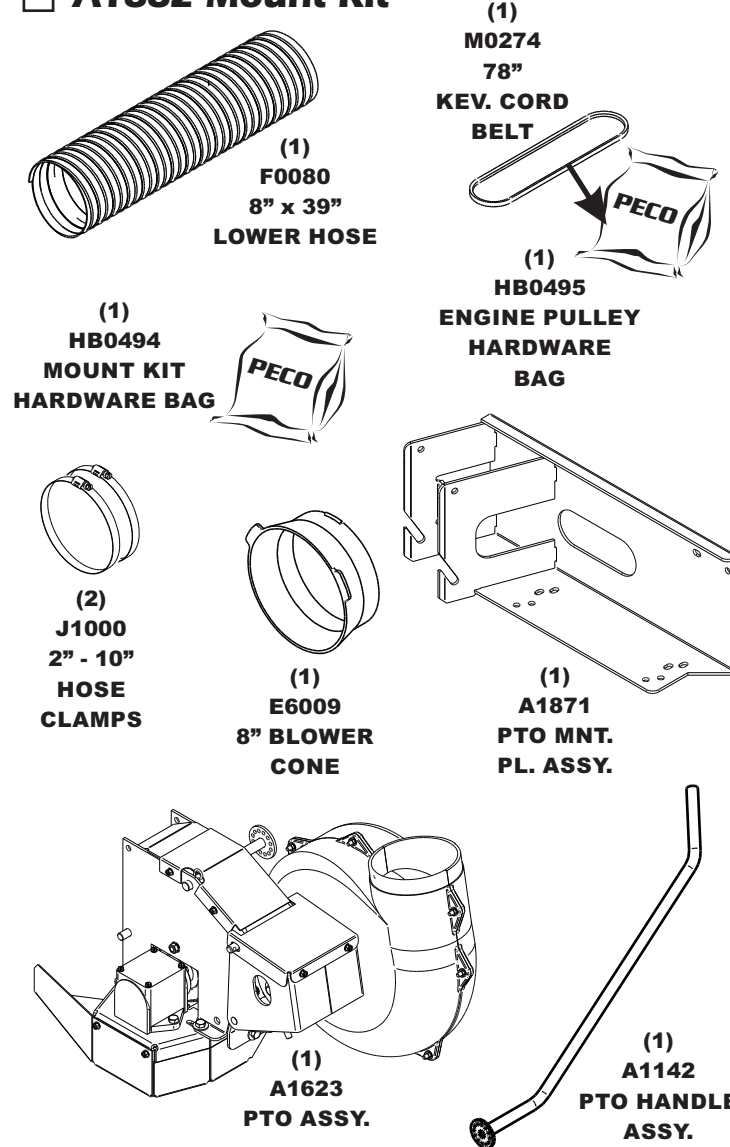
**Revision #:** Final Release 3/18/2013

**Fits Year(s):** 2011-2014

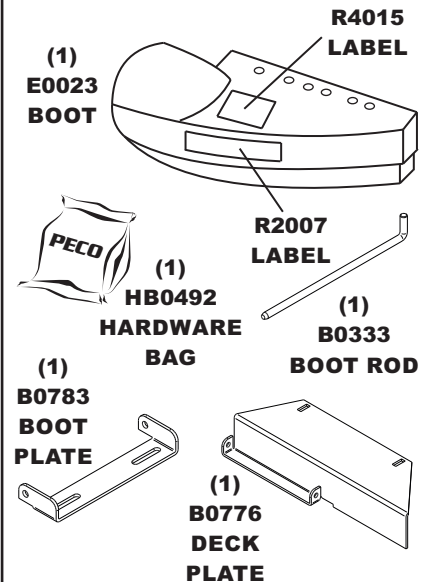
**A1881 Vac Kit**



**A1882 Mount Kit**



**A1883 Boot Kit**



**A1879 Weight Kit**

