

**MODEL#: 23621221**

**MOWER NAME: BOB-CAT**

**MOWER MODEL: ZT-200 SERIES (2007), PROCAT, PREDATOR PRO**

**MOWER DECK SIZE: 61", 52" & 48" DECK**

**VAC NAME: 12 CUBIC FOOT BOX**

**6.5HP BRIGGS AND STRATTON VANGUARD**

**BILL OF MATERIAL: BOM0319**

**NOTE:**

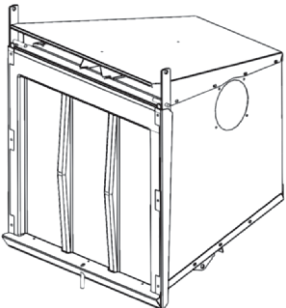

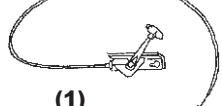



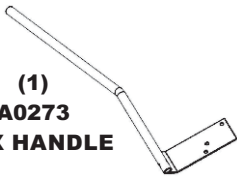
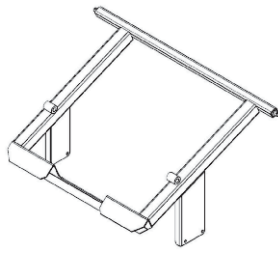


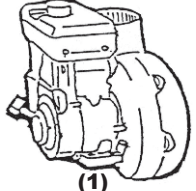
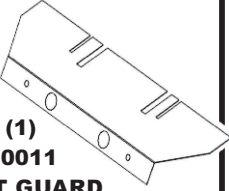
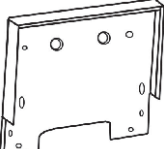

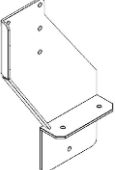
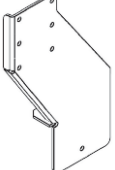
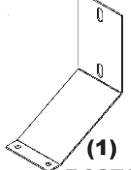

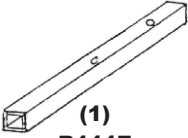
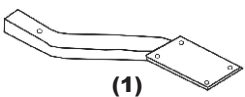
**NOTE:**



**FOR YEAR: 2009 - 2007**


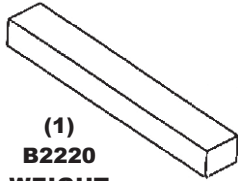
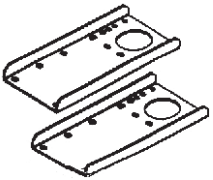

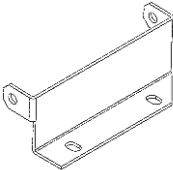

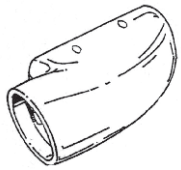
**REVISED: 12/19/11**

**A0991 UNIT ASSY.**

|  |   |  |   |   |   |
|--|---|--|---|---|---|
| <br><b>(1)</b><br><b>A0794</b><br><b>12 CU. FT.</b><br><b>BOX ASSY.</b> | <br><b>(1)</b><br><b>V1054</b><br><b>6" PLASTIC</b><br><b>INLET</b>  | <br><b>(1)</b><br><b>A0060</b><br><b>70" LONG THROTTLE</b><br><b>KIT FOR (5.5 &amp; 6.5HP)</b> | <br><b>(2)</b><br><b>J0060</b><br><b>6" HOSE</b><br><b>CLAMPS</b>                      | <br><b>(2)</b><br><b>J0070</b><br><b>7" HOSE</b><br><b>CLAMPS</b>                        | <br><b>(1)</b><br><b>HB0332</b><br><b>HARDWARE</b><br><b>BAG</b>             |
| <br><b>(1)</b><br><b>A0273</b><br><b>BOX HANDLE</b>                   | <br><b>(1)</b><br><b>A0680</b><br><b>MAIN FRAME</b><br><b>ASSY.</b> | <br><b>(1)</b><br><b>F0001</b><br><b>6" x 32"</b><br><b>UPPER</b><br><b>HOSE</b>               | <br><b>(1)</b><br><b>F0004</b><br><b>7" x 48"</b><br><b>LOWER</b><br><b>HOSE</b>        | <br><b>(1)</b><br><b>A639</b><br><b>ENGINE/</b><br><b>BLOWER/</b><br><b>BLADE ASSY.</b> | <br><b>(1)</b><br><b>C0011</b><br><b>HEAT GUARD</b>                         |
| <br><b>(1)</b><br><b>B0047</b><br><b>REAR MOUNT</b><br><b>PLATE</b>    | <br><b>(1)</b><br><b>E6004</b><br><b>7" BLOWER</b><br><b>CONE</b>  | <br><b>(1)</b><br><b>A0681</b><br><b>LT. LOWER</b><br><b>FRAME LEG</b><br><b>ASSY.</b>        | <br><b>(1)</b><br><b>A0679</b><br><b>RT. LOWER</b><br><b>FRAME LEG</b><br><b>ASSY.</b> | <br><b>(1)</b><br><b>B0276</b><br><b>AIR CLEANER</b><br><b>MOUNT BRACE</b>              | <br><b>(1)</b><br><b>B0275</b><br><b>AIR CLEANER</b><br><b>MOUNT PLATE</b> |
|  |   |  |   | <br><b>(1)</b><br><b>B1117</b><br><b>OUTER ENGINE</b><br><b>MOUNT TUBE</b>             | <br><b>(1)</b><br><b>A0318</b><br><b>ENGINE MOUNT</b><br><b>ARM ASSY.</b>  |

**A0683 WEIGHT KIT**

**A0908 BOOT KIT**

|   |  |  |   |  |  |  |
|---|--|--|---|--|--|--|
| <br><b>(1)</b><br><b>HB0120</b><br><b>HARDWARE</b><br><b>BAG</b> | <br><b>(1)</b><br><b>B2220</b><br><b>WEIGHT</b> | <br><b>(2)</b><br><b>B0026</b><br><b>WEIGHT</b><br><b>BRACKET</b> | <br><b>(1)</b><br><b>HB0078</b><br><b>HARDWARE</b><br><b>BAG</b> | <br><b>(1)</b><br><b>B0435</b><br><b>BOOT</b><br><b>PLATE</b> | <br><b>(1)</b><br><b>B0288</b><br><b>BOOT</b><br><b>ROD</b> | <br><b>(1)</b><br><b>E1031</b><br><b>BOOT</b> |
|---|--|--|---|--|--|--|