

# MODEL#: 23621212

**MOWER NAME: BOB-CAT**

**MOWER MODEL: ZT-200 SERIES (2007), PROCAT, PREDATOR PRO**

**MOWER DECK SIZE: 61", 52" & 48" DECK**

**VAC NAME: 12 CUBIC FOOT BOX**

**PTO DRIVEN**

**BILL OF MATERIAL: BOM0316**

**NOTE:**

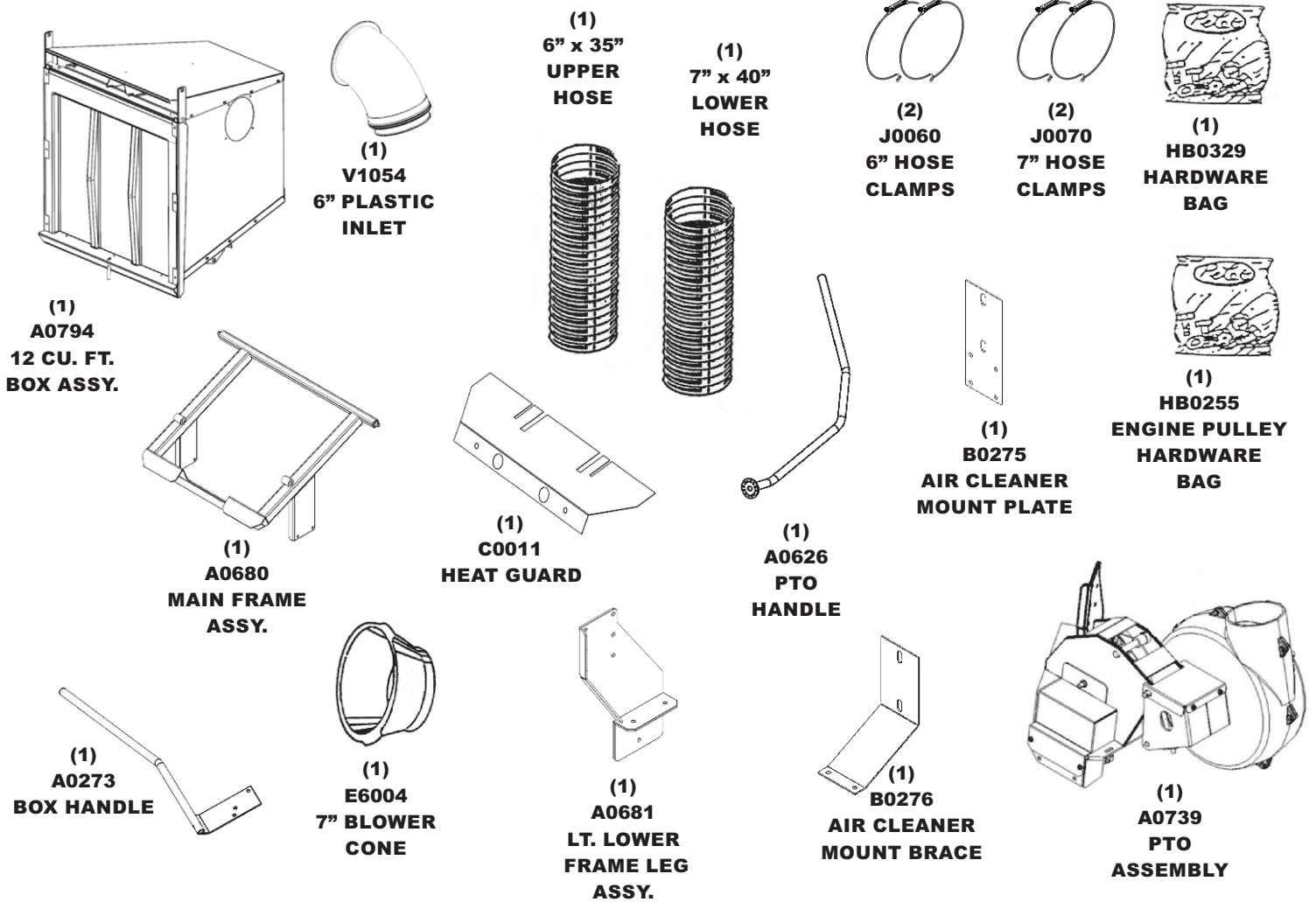
**NOTE:**



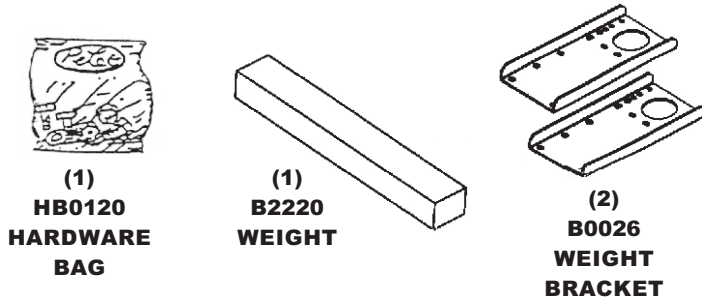
**FOR YEAR: 2009 - 2007**

**REVISED:**

## **A0988 UNIT ASSY.**



## **A0683 WEIGHT KIT**



## **A0908 BOOT KIT**

