



Unit Model #: 05721202

Mower: Snapper Pro

Owner's Manual: Q0461

Mower Type: S150XT

Deck Size: 52" & 61"

Vac Type: 12 Cu. Ft. Pro 12 DFS

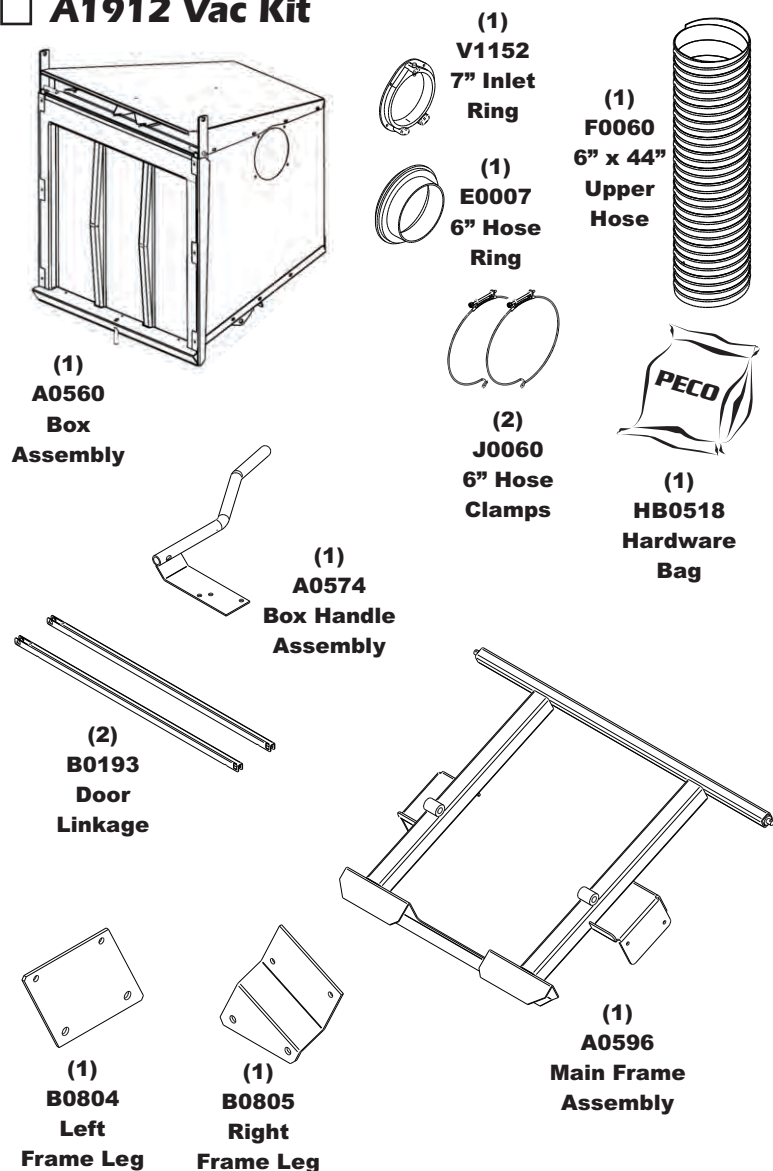
Deck Type: iCD Cutting System

Drive Type: ENG: B&S 900 Series

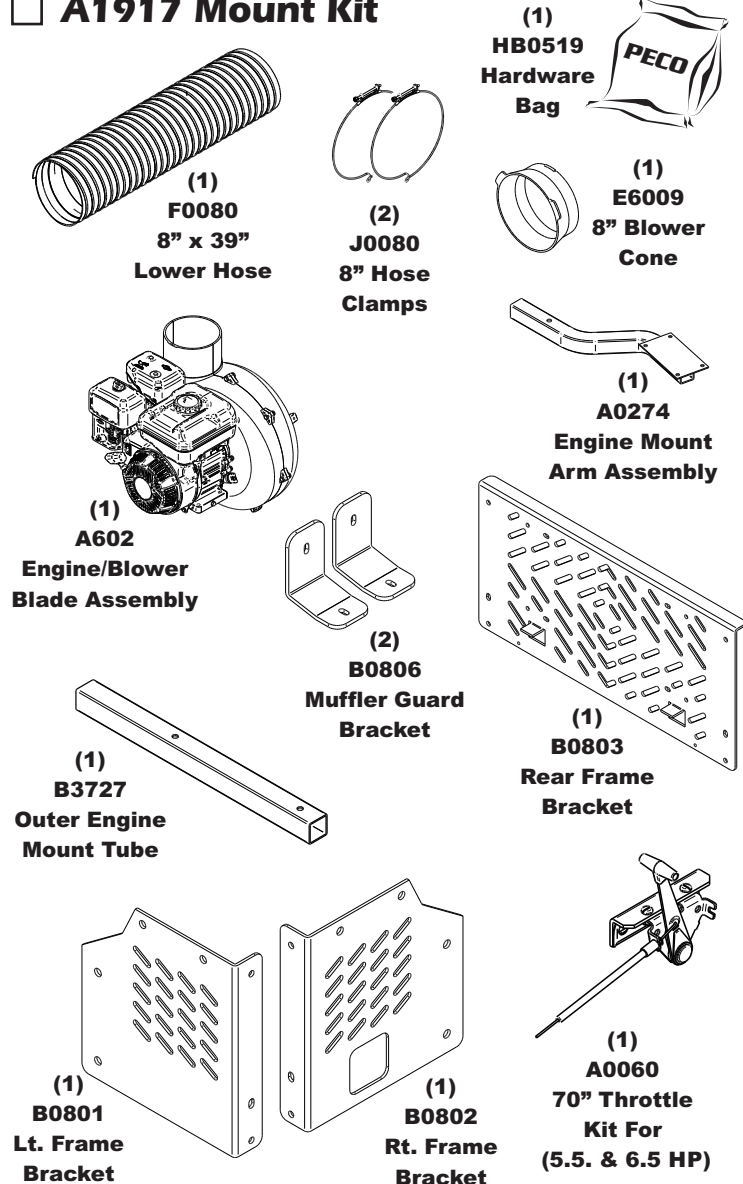
Revision #: Final Release 5/08/13

Fits Year(s): 2012-2013

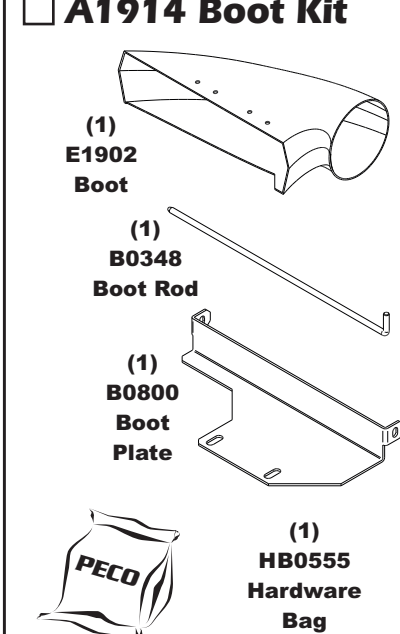
☐ A1912 Vac Kit



☐ A1917 Mount Kit



☐ A1914 Boot Kit



☐ A1915 Weight Kit

