



Unit Model #: 05721201

Mower: Snapper Pro

Owner's Manual: Q0461

Mower Type: S150XT

Deck Size: 52" & 61"

Vac Type: 12 Cu. Ft. Pro 12 DFS

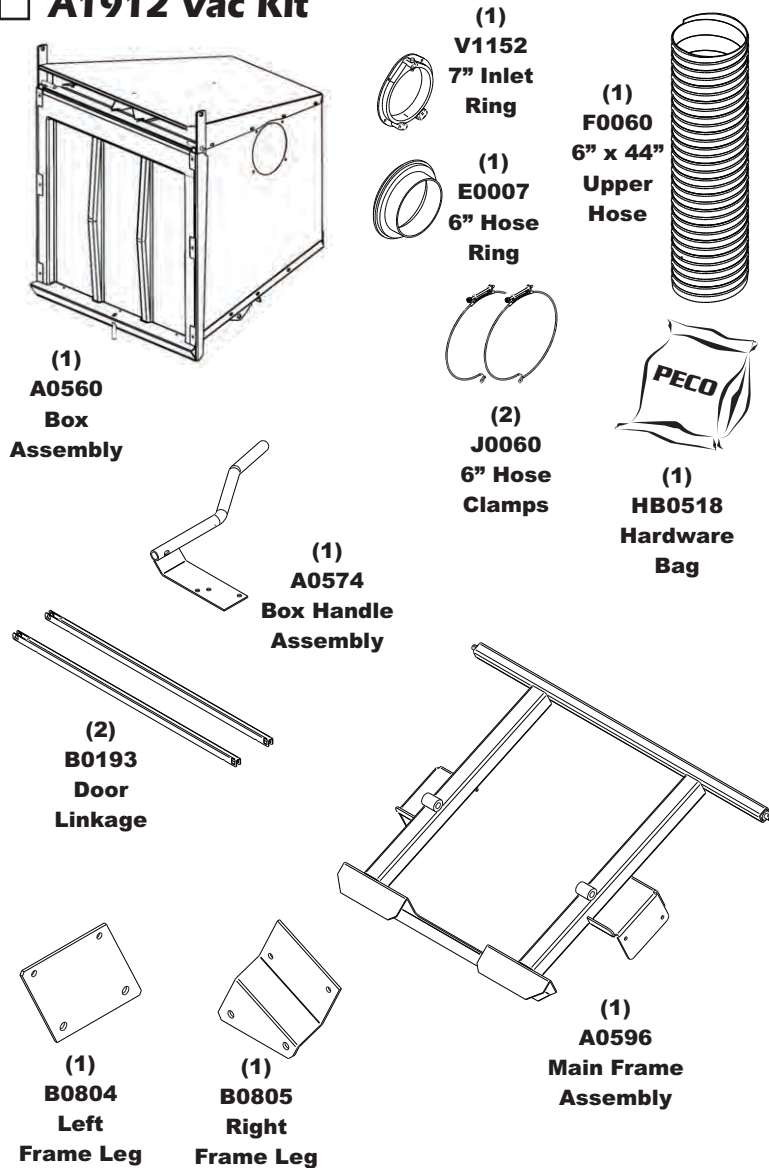
Deck Type: iCD Cutting System

Drive Type: ENG: B&S 6.5HP Vanguard

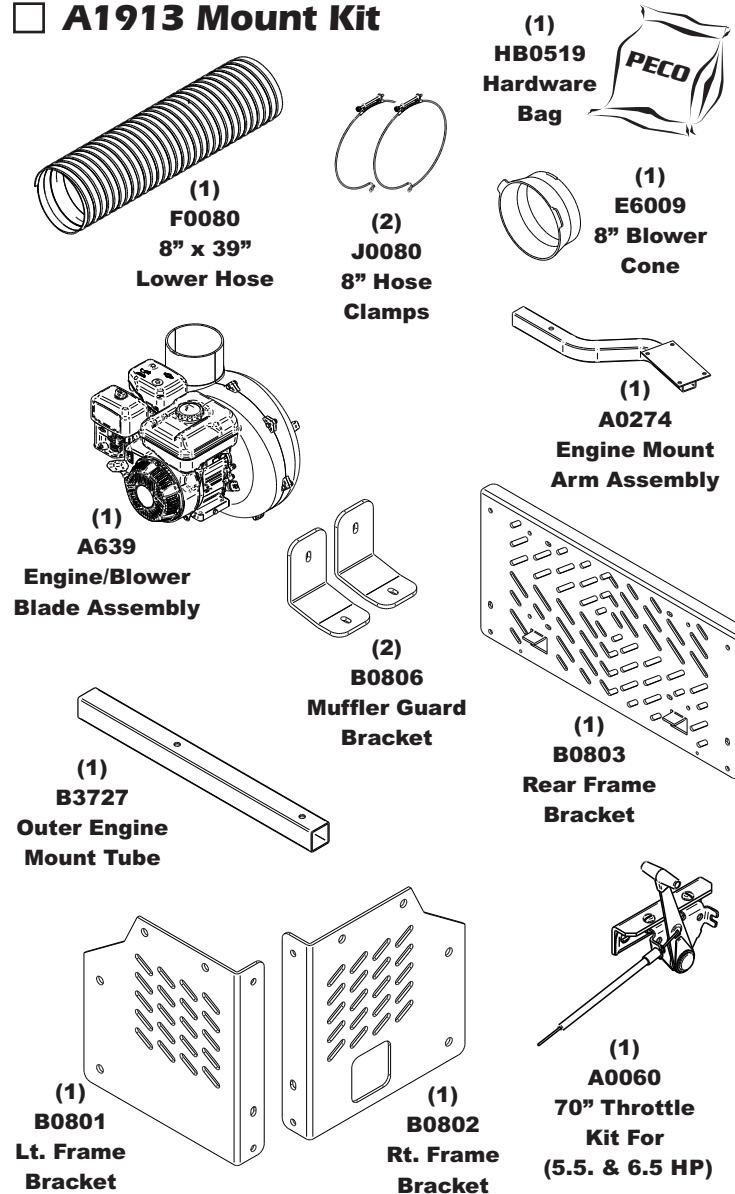
Revision #: Final Release 5/08/13

Fits Year(s): 2012-2013

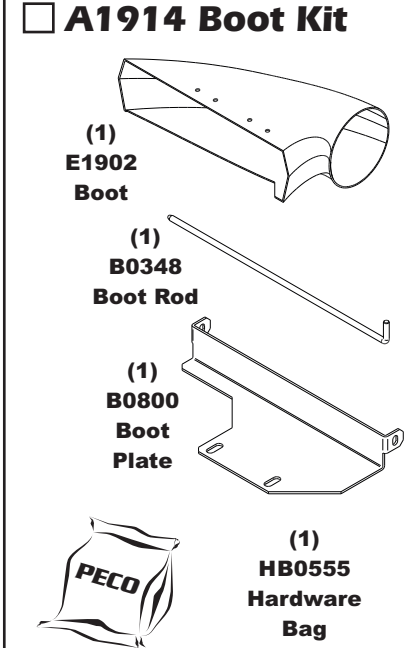
A1912 Vac Kit



A1913 Mount Kit



A1914 Boot Kit



A1915 Weight Kit

