



# **PRO 2 BAGGER+ GRASS COLLECTION SYSTEM**

**Designed for the:**

**Jazee Series**

**Jazee Pro Series**

**Wrangler Series**

**2011 & Earlier Models**



## **OPERATOR'S MANUAL**

**ASSEMBLY ● OPERATION ● MAINTENANCE**

# RESIDENTIAL BAGGING SYSTEM

## TABLE OF CONTENTS

SECTION	PAGE	SECTION	PAGE
Safety .....	2	2-12 Impeller Blade Removal/Replacement .....	9
Safety Alert Symbols .....	3	2-13 Boot To Mower Deck Installation .....	-9-10
Warranty .....	4	2-14 Length of Hose Adjustment .....	10
I INTRODUCTION AND DESCRIPTION .....	5	2-15 Upper Hose Installation .....	10
1-1 Introduction .....	5	2-16 Lower Hose To Blower Cone Installation .....	10
1-2 Description .....	5	2-17 Lower Hose To Boot Installation .....	11
II INSTALLATION FOR USE .....	5	2-18 Front Weight Installation .....	11
2-1 Preparation Of Mower .....	5	2-19 Installation/Removal Of Collection Bags .....	12
2-2 Removing The Rear Panel Guard and The Muffler Guard .....	6	III OPERATING INSTRUCTIONS .....	13
2-3 Right Frame Mount Assembly Installation .....	6	3-1 General Safety .....	13
2-4 Left Frame Bracket Installation .....	6	3-2 Operation & Tips On Mowing .....	13
2-5 Lower Frame Assembly Installation .....	6	3-3 Disengagement Of The PTO Assembly .....	13
2-6 PTO Assembly Installation .....	7	3-4 Unloading The Collection System .....	13
2-7 Belt Installation/Removal/Adjustment .....	7-8	IV MAINTENANCE .....	13
2-8 Exhaust Deflector Installation .....	8	4-1 Maintenance Checklist .....	13
2-9 Upper Frame Assembly Installation		4-2 Lubrication .....	14
2-10 Top Assembly To Upper Frame Assembly Installation .....	8	V PARTS AND SERVICE .....	14
2-11 Blower Cone Installation/Removal .....	9	5-1 Parts And Service Information .....	14
		Exploded Views And Parts List .....	15-21
		Safety Decals .....	22
		Torque Specifications .....	23

### **SAFETY**

- 1.** Read the operator's manual carefully and familiarize yourself with the proper use of your attachment. Do not allow anyone who is not acquainted with the Safety Instructions to use your attachment.
- 2.** Know the controls and how to stop quickly. **READ THE OPERATOR'S MANUAL!**
- 3.** Do not allow children to operate the mower. Do not allow adults to operate the mower or grass collection system without proper instruction.
- 4.** Be especially watchful of children and pets darting into the area while operating.
- 5.** Keep your eyes and mind on your unit while mowing or operating your attachment. Don't let others distract you.
- 6.** Do not attempt to operate your unit or mower when not in the driver's seat.
- 7.** Always stop unit when emptying the container.
- 8.** Stop unit, shut off deck attachment, set parking brake, shut off mower engine and remove spark plug wire before removing clogs, removing or replacing hose, boot, blower cone, or performing any maintenance.
- 9.** If a slope must be ascended, back up the slope; drive forward when descending.
- 10.** It is recommended that the container be kept only half full when negotiating any slopes. Start mowing on slopes when the container is empty and never mow slopes greater than 15 degrees.
- 11.** Inspect your lawn and remove any foreign objects before mowing. Never deliberately run the mower across any foreign object.
- 12.** Wear ear protection if the noise level is offensive.
- 13.** Wear eye protection to prevent debris from damaging your eyes.

# SAFETY

**WARNING!** NEVER operate the mower unless the discharge guard and either the deflector assembly or the vacuum collector adapter are fastened securely in place.

**WARNING!** Do not work around the mower deck boot or the blower area until you are certain that the mower blades and the blower impeller have stopped rotating.

**WARNING!** To avoid serious injury, perform maintenance on the vacuum collector; **ONLY AFTER STOPPING THE MOWER'S ENGINE AND WAITING FOR ALL MOVING PARTS TO COME TO A COMPLETE STOP.** Set the parking brake. Always remove the ignition key before beginning maintenance.

**WARNING!** For your own personal safety, **ALWAYS** back up the face of slopes. **NEVER** attempt to mow excessively steep slopes, and use caution when turning on any slope.

## Safety Alert Symbol



This Safety Alert Symbol means: **“ATTENTION! BECOME ALERT! YOUR SAFETY IS INVOLVED!”**

This symbol is used to call attention to safety precautions that should be followed by the operator to avoid accidents. When you see this symbol, carefully read the message that follows and heed its advice. Failure to comply with safety precautions could result in death or serious bodily injury.

## Safety Signs

The signal words **DANGER**, **WARNING**, and **CAUTION** are used on the equipment safety signs. These words are intended to alert the viewer to the existence and the degree of hazard seriousness.



White letters on **RED**

This signal word indicates a potentially hazardous situation which, if not avoided, will result in death or serious injury.



Black letters on **ORANGE**

This signal word indicates a potentially hazardous situation which, if not avoided, could result in death or serious injury.

It may also be used to alert against unsafe practices.



Black letters on **YELLOW**

This signal word indicates a potentially hazardous situation exist which, if not avoided, will result in minor or moderate injury.

It may also be used to alert against unsafe practices.

# PECO LIMITED WARRANTY FOR NEW PRODUCTS

## A. WHAT IS UNDER WARRANTY?

PECO extends the following warranties to the original purchaser of each new PECO consumer product subject to the following limitations.

**1. PRODUCT WARRANTY:** Any part of any consumer product, which is defective in material or workmanship as delivered to the purchaser will be repaired or replaced, as PECO elects, without charge for parts or labor, if the defect appears within 12 months from the date of delivery of the product to the original purchaser.

**ALL DEFECTIVE PARTS MUST BE RETURNED TO PECO FOR INSPECTION TO DETERMINE VALIDITY OF WARRANTY CLAIMS.** Freight and mailing will be borne by the customer.

**2. PARTS REPLACED DURING WARRANTY:** Any new PECO part which is furnished in performance of this warranty and is defective in material or workmanship as delivered to the purchaser will be repaired or replaced, as PECO elects, without charge if the defect appears within 90 days from the date of installation of such part or before the expiration of the original warranty period, whichever is later.

## B. SECURING WARRANTY ADJUSTMENTS.

Call PECO for Return Authorization. Damaged or broken parts other than engines or batteries, must be returned to New PECO, Inc. 100 Airport Road, Arden, NC 28704 before any warranty adjustment can be authorized. At the time of requesting warranty adjustment, the purchaser must present evidence of the date of delivery of the product. The purchaser shall pay any charge for the product to and from Arden, NC.

## C. ITEMS NOT COVERED BY PECO WARRANTY.

Engines and batteries attached to PECO products are covered under a separate warranty by the respective manufacturer.

## D. UNAPPROVED ALTERATION OR MODIFICATION.

All obligations of New PECO, Inc. under this warranty shall be terminated if products are altered or modified in ways not approved by New PECO, Inc.

## E. ACCIDENTS AND NORMAL MAINTENANCE.

The warranty covers only defective material and workmanship. It does not cover depreciation or damage caused by normal wear, accident, improper use or abuse of products. The cost of normal maintenance and normal replacement of service items such as belts, cutting blades, hoses, etc., which are not defective shall be paid for by the purchaser.

## F. NO REPRESENTATIONS ADDITIONAL WARRANTIES, DISCLAIMER.

Neither New PECO, Inc. nor any company affiliated with it makes any warranties, representations or promises as to the quality of performance of its products other than those set forth herein. Except as described above, New PECO, Inc. makes no other warranties **AND SPECIFICALLY DISCLAIMS ANY AND ALL IMPLIED WARRANTIES OF FITNESS AND MERCHANTABILITY.**

## G. ANY MACHINE USED FOR RENTAL PURPOSES ARE GUARANTEED FOR 45 DAYS FROM DATE OF ORIGINAL SALE ONLY.

## H. REMEDIED EXCLUSIVE.

The only remedies the purchaser has in connection with the breach or performance of any warranty on New PECO, Inc. consumer products are set forth above. In no event will PECO be liable for special incidental or consequential damages.

## 1. NO SERVICE CENTER WARRANTY.

The selling Service Center makes no warranty on his own on any item warranted by New PECO, Inc. unless he delivers to purchaser a separate written warranty certificate specifically warranting the item. The dealer has no authority to make any representation or promise on behalf of PECO or to modify the terms of this warranty in any way.



## Section I

# INTRODUCTION & DESCRIPTION

### 1-1 Introduction

Your grass collection system has been designed to give you a low maintenance, simple, and effective way to collect the grass clippings from your mower. This manual is provided to give you the necessary instructions to properly mount and operate the collection system on your mower. Please read this manual thoroughly. Understand what each control is for and how to use it. Observe all safety decal precautions on the machine and noted throughout the manual.

**NOTE:** all references made to right, left, front, rear, top or bottom are as viewed from the normal operator's position on the mower.

### 1-2 Description

The grass collection system is designed for turf maintenance where there is a need to collect the grass clippings as the mower cuts the turf. It is also used for picking up leaves in pre-season and post-season clean-up. The blower, mounted on the right side of the unit, uses a belt and gearbox system from the engine PTO shaft. Drive train protection comes through belt slippage. The blower draws grass clippings from the discharge area of the cutting deck back to the (2) - 2.9 cubic foot collection bags P#(G0004) at the rear portion of the mower frame. The operator can engage the blower with a spring-lock engagement handle on the right side of the unit. Once the bags are full with clippings, they can be easily released for dumping.

## Section II

# INSTALLATION FOR USE

### 2-1 Preparation Of Mower

Carefully open the shipping box. The grass collection system will have various parts located inside. Remove and sort all parts for easy identification.

**NOTE:** Before each step of assembly, it will help to study the exploded drawings and part views on pages 14-19.

Refer to your Country Clipper owners manual for instructions on how to properly remove the drive belt from the engine pulley. After removing the drive belt from the engine pulley, disconnect the wiring harness on the clutch assembly. Remove the hardware that secures the clutch assembly to the engine shaft. Remove the clutch assembly from the engine shaft. Remove the bushing from the underside of the clutch assembly, where the pulley is located. Refer to Figure 2-1.

**NOTE:** Make sure that the clutch stop is inline with the pin upon re-installation of the clutch, and that the wiring harness is re-connected.

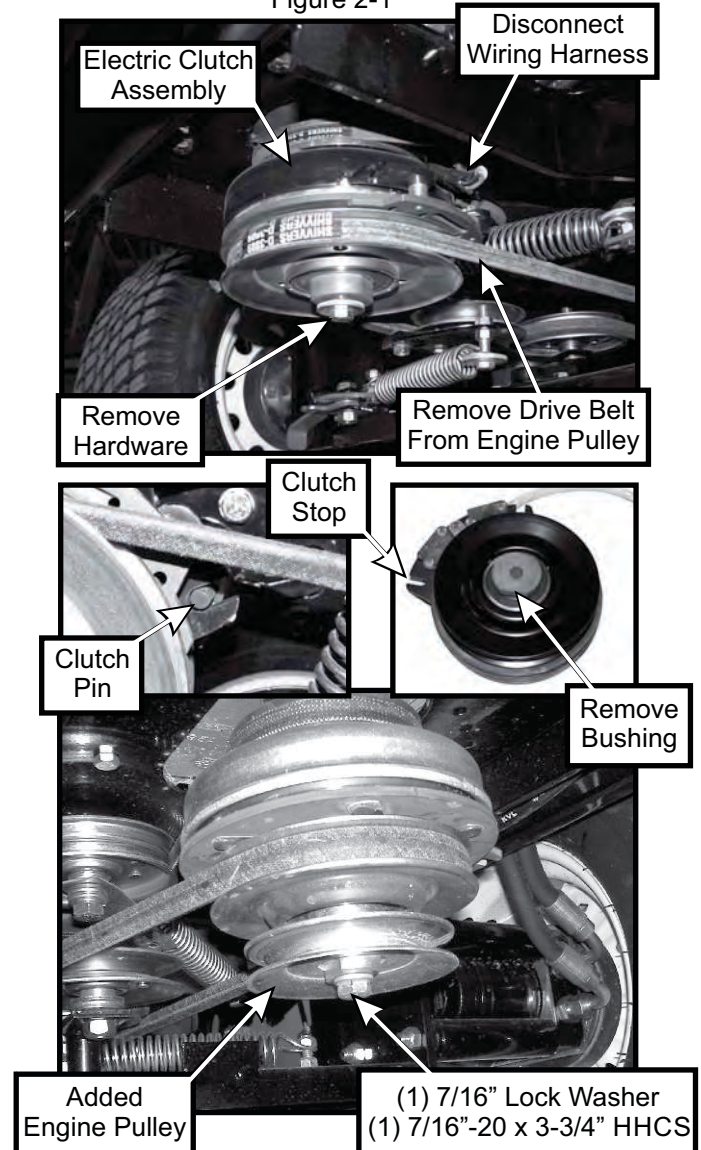
#### 1-1/8" DIAMETER CRANKSHAFT

For the 24HP & 27HP Kohler Engines, 22HP & 21HP Kawasaki Engines and 23HP Briggs and Stratton Engines: Replace the bushing and hardware with engine pulley assembly number 15 P#(A1038) and secure the pulley assembly to the clutch using (1) 7/16"-20 x 3-3/4" HHCS P#(K0350) and (1) 7/16" lock washer P#(K0140).

#### 1" DIAMETER CRANKSHAFT

For the 18.5HP, 22HP & 26 HP Briggs and Stratton Engines and the 19HP Kawasaki Engine and 20HP Kohler: Replace the bushing and hardware with engine pulley assembly number 12 P#(A0728) and secure the pulley assembly to the clutch using (1) 7/16"-20 x 3-3/4" HHCS P#(K0350) and (1) 7/16" lock washer P#(K0140). The added pulley will power the collection system. Torque the bolt to 55 ft./lbs. Reattach the drive belt to the engine pulley.

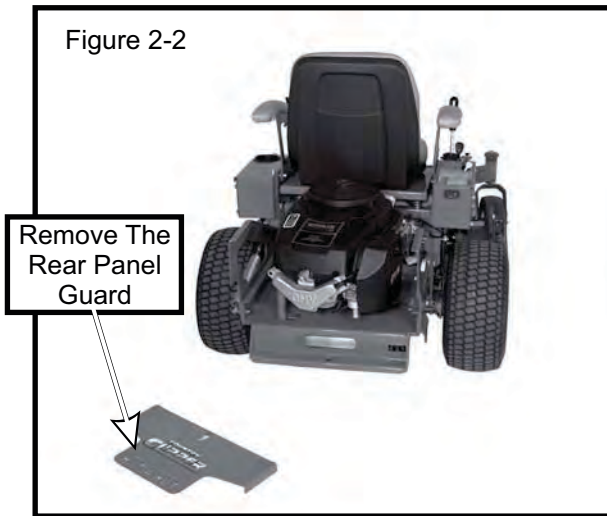
Figure 2-1



## 2-2 Removing the Rear Panel Guard and the Muffler Guard

Remove the rear panel guard from the rear frame of the mower. You will use this existing hardware later in the assembly procedure. Refer to figure 2-2.

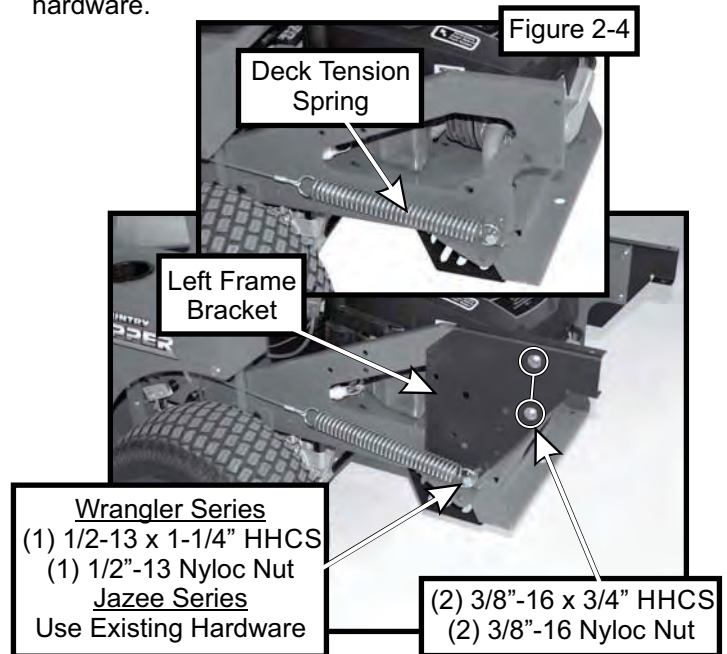
**NOTE:** On certain Jazee units with single cylinder engines, the muffler guard will need to be replaced. Contact Country Clipper for the replacement muffler guard, part number 700-059P.



## 2-4 Left Frame Bracket Installation

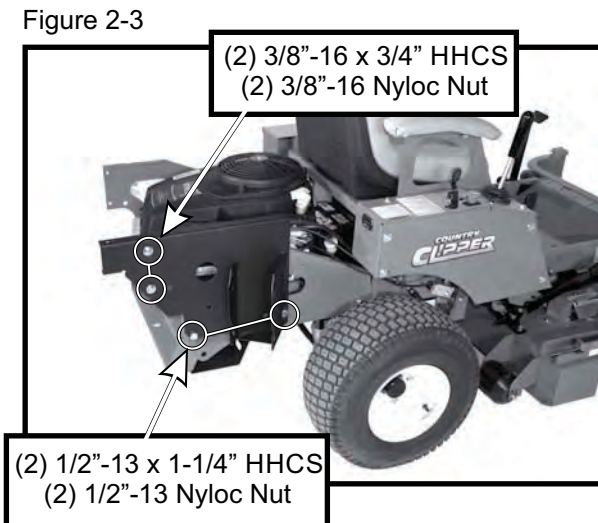
Disconnect the deck tension spring from the left engine side panel and remove the hardware. Attach the left frame bracket to the left engine side panel using the existing hardware from the rear panel guard and deck tension spring. Also use (2) 3/8"-16 x 3/4" HHCS P#(K1190) and (2) 3/8"-16 nyloc nuts P#(K1216) to secure the left frame bracket. Refer to Figure 2-4.

**NOTE:** The Wrangler series does not have a deck tension spring. Use (1) 1/2"-13 x 1-1/4" HHCS P#(K1232) and (1) 1/2"-13 nyloc nut P#(K1247) instead of existing hardware.



## 2-3 Right Frame Mount Assembly Installation

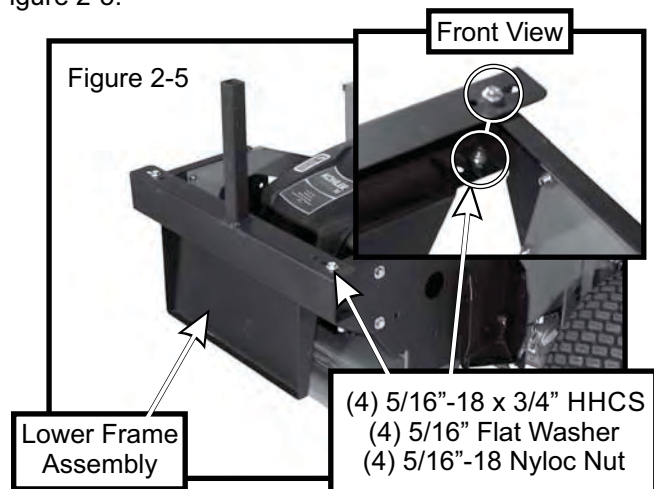
Fasten the right frame mount assembly P#(A1008) to the right engine side panel using (2) 3/8"-16 x 3/4" HHCS P#(K1190) and (2) 3/8"-16 nyloc nut P#(K1216). Also use (2) 1/2"-13 x 1-1/4" HHCS P#(K1232) and (2) 1/2"-13 nyloc nut P#(K1247). Refer to Figure 2-3.



## 2-5 Lower Frame Assembly Installation

Fasten the lower frame assembly P#(A1091) to the left frame bracket P#(B0452) and the right frame mount assembly P#(A1008) using (4) 5/16"-18 x 3/4" HHCS P#(K1153), (4) 5/16" flat washer P#(K0042) and (4) 5/16"-18 nyloc nut P#(K1180). Refer to Figure 2-5.

**NOTE:** The lower frame assembly is designed to fit different mower frames, so use the hole pattern shown in Figure 2-5.

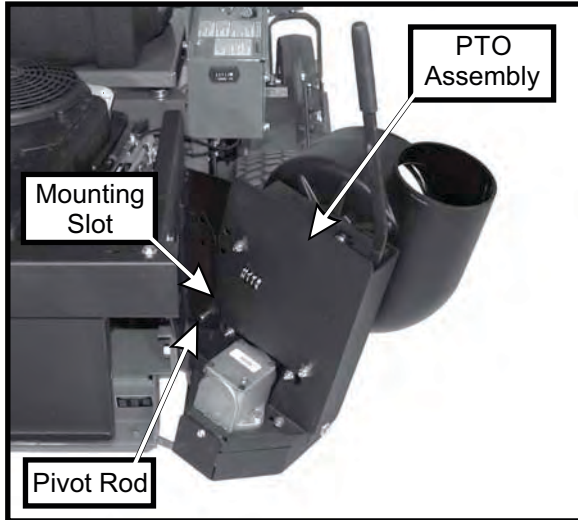




## 2-6 PTO Assembly Installation

Insert the pivot rod on the PTO assembly P#(A1840) into the mounting slots on the right frame mount assembly P#(A1008) as shown in Figure 2-6. You will secure the PTO assembly in Section 2-7, after the belt has been installed.

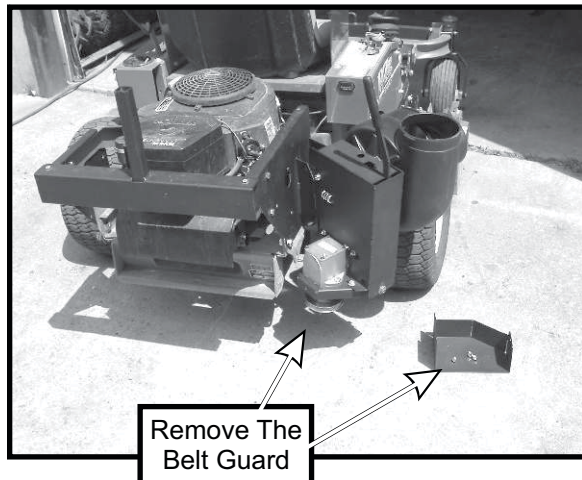
Figure 2-6



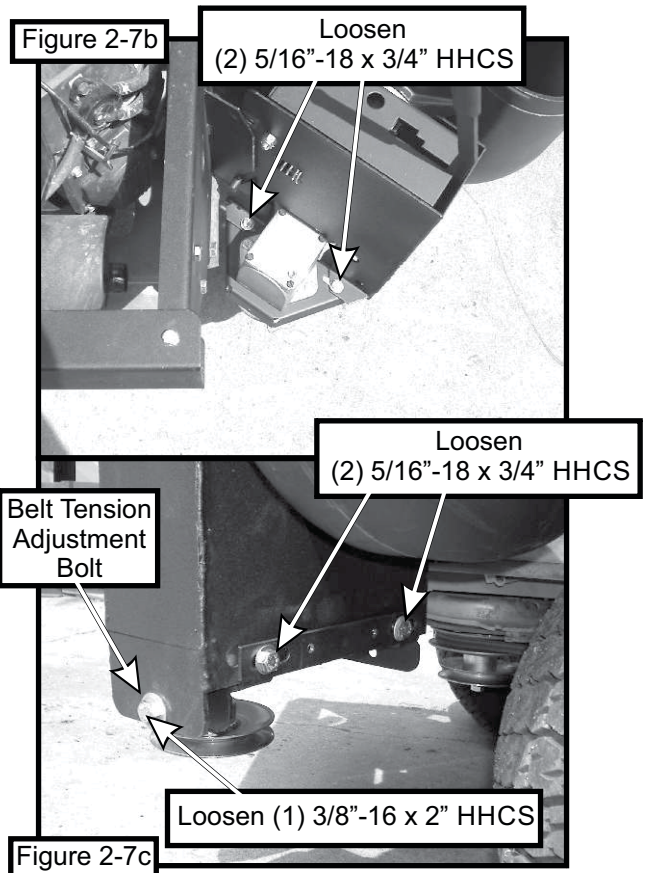
## 2-7 Belt Installation/Removal and Adjustment

Remove (3) 1/4"-20 x 1/2" HHSTS P#(K0353) from the belt guard located on the bottom of the PTO assembly as shown in Figure 2-7a.

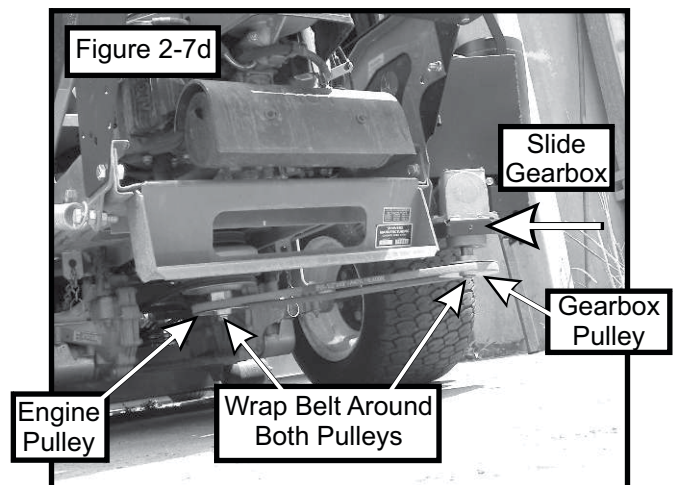
Figure 2-7a



Loosen the (4) 5/16"-18 x 3/4" HHCS P#(K1153) that secure the gearbox to the PTO assembly. Loosen the belt tension adjustment bolt: (1) 3/8"-16 x 2" HHCS P#(K1208). Refer to Figure 2-7b and 2-7c.

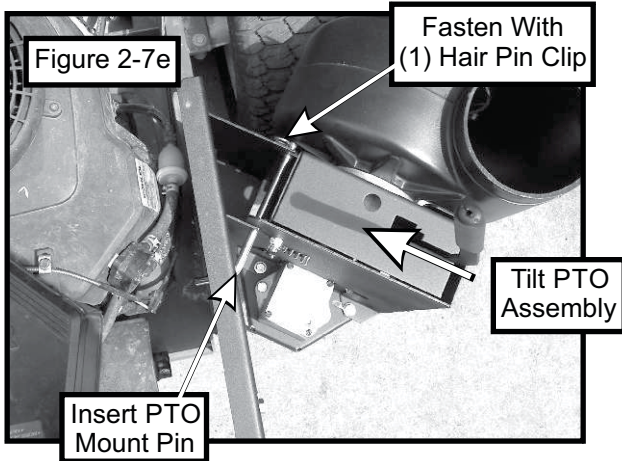


After loosening the hardware in Figure 2-7b and 2-7c, slide the gearbox to the farthest left position (towards the engine). Wrap one end of the kevlar belt P#(M0268) around the engine pulley. Wrap the other end of the belt around the pulley on the gearbox. Refer to Figure 2-7d for reference.



With the kevlar belt wrapped around both pulleys, tilt the PTO assembly towards the engine, aligning the PTO mount pin holes on the PTO assembly with the mounting holes on the right frame mount assembly. Insert the PTO mount pin P#(B0274) in the mounting holes and fasten with (1) 1/8" x 2-3/8" hair pin clip P#(K0086). Refer to Figure 2-7e for reference.

## 2-7 Belt Installation/Removal and Adjustment Continued...



To adjust the belt tension, turn the belt tension adjustment bolt clockwise until there is 1" of deflection with 10-11 pounds of pressure applied to the center of the kevlar belt. When the belt has the proper tension, tighten the (4) 5/16"-18 x 3/4" HHCS P#(K1153) from Figure 2-7b and 2-7c that secure the gearbox to the PTO assembly. Replace the belt guard and (3) 1/4"-20 x 1/2" HHSTS P#(K0353).

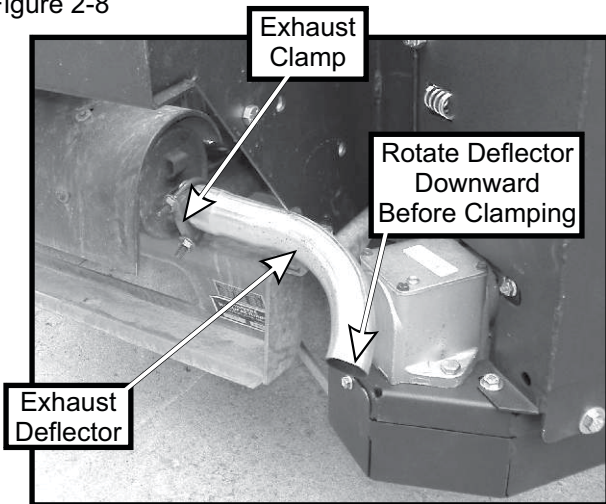
## 2-8 Exhaust Deflector Installation

**NOTE:** (All units where the muffler deflects out the left hand side of the tractor will not require an exhaust deflector, or removal of existing exhaust deflector.)

### For Right Hand Deflecting Mufflers

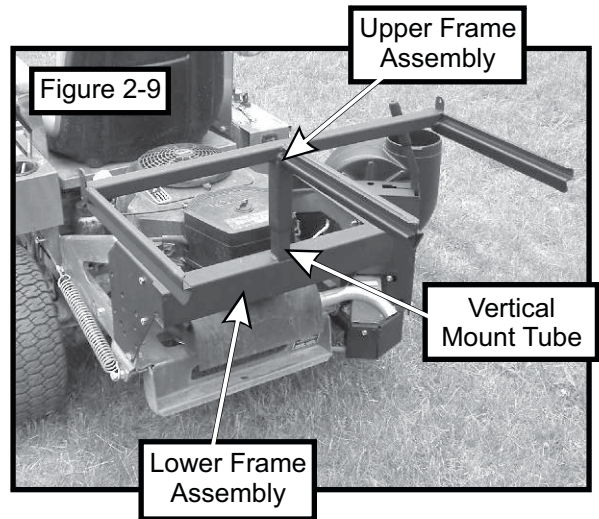
Remove any existing exhaust deflector and hardware from the muffler. Attach the exhaust deflector P#(J0282) to the muffler and fasten with the exhaust clamp P#(X1064). Rotate the exhaust deflector downward before tightening the exhaust clamp, as shown in Figure 2-8. This will prevent the exhaust from damaging the collection bags. **NOTE:** For the Briggs and Stratton 18.5HP engine, simply remove the existing exhaust diverter. For any engines with the exhaust on the left side of the engine, the exhaust deflector is not required.

Figure 2-8



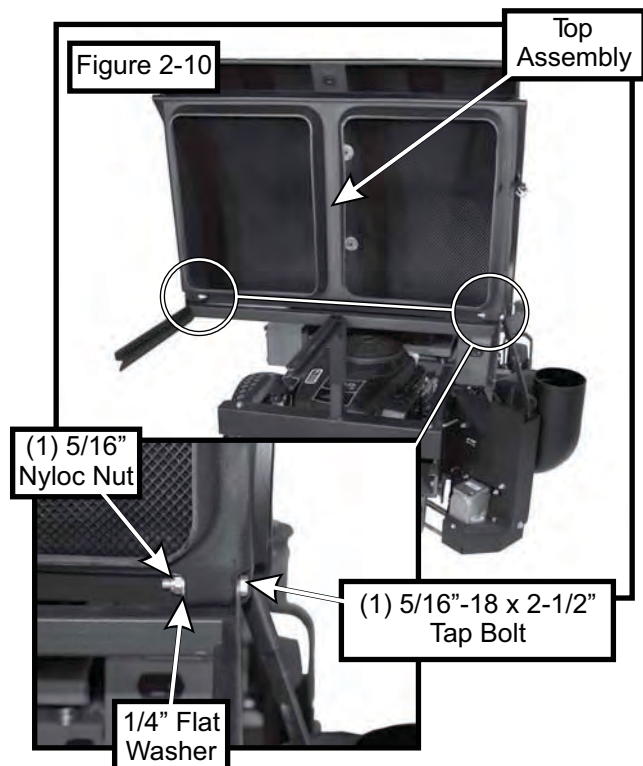
## 2-9 Upper Frame Assembly Installation

Slide the upper frame assembly P#(A0871) onto the vertical mount tube located on the lower frame assembly P#(A1091) as shown in Figure 2-9.



## 2-10 Top Assembly To Upper Frame Assembly Installation

Lift the top assembly P#(A1028) into position as shown in Figure 2-10. Fasten the top assembly to the upper frame assembly using (2) 5/16"-18 x 2-1/2" tap bolt P#(K0125), (2) 1/4" flat washer P#(K0037), and (2) 5/16" nyloc nut P#(K1180). When fastening, leave the nyloc nuts slightly loose so that the top assembly can pivot freely.

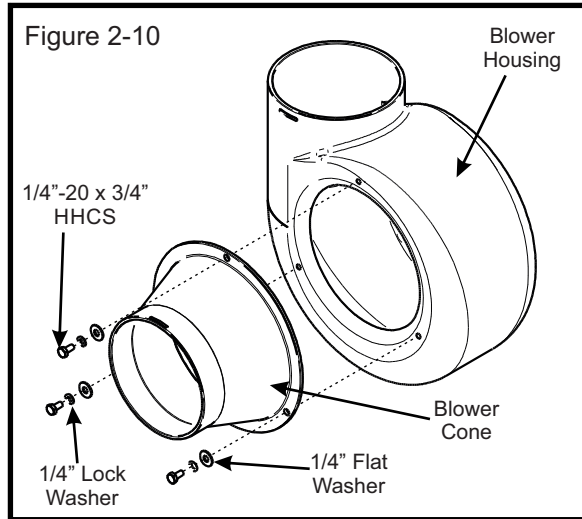




## 2-10 Blower Cone

### Installation/Removal

Fasten the blower cone P#(V0016) to the blower housing located on the PTO assembly. Use (3) 1/4"-20 x 3/4" HHCS P#(K1222), (3) 1/4" lock washers P#(K0039), and (3) 1/4" flat washers P#(K0037) to secure the blower cone to the blower housing. Refer to Figure 2-10 for reference.

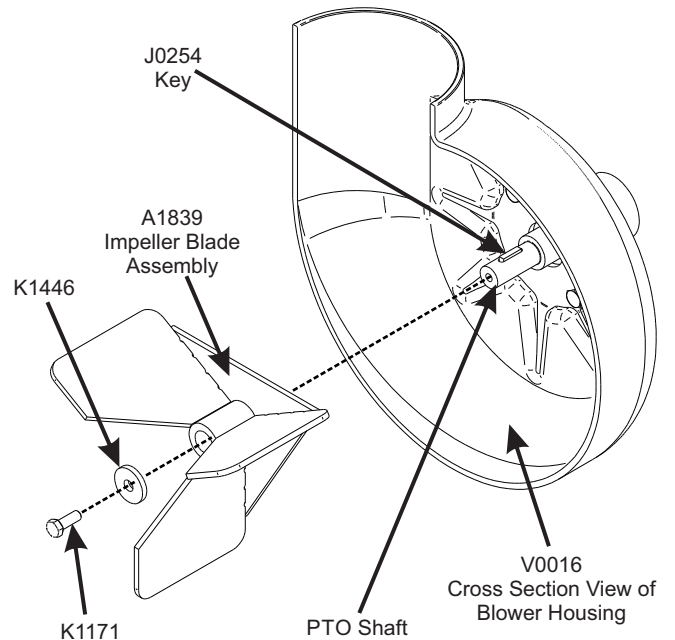


## 2-12 Impeller Blade Removal/Replacement

**To Remove:** To access the impeller blade, remove the blower cone P#(V0016) and blower cone hardware from the blower housing. Remove the 5/16"-24 x 7/8" left hand thread hex bolt P#(K1171) and washer P#(K1446). Insert (1) 1/2"-13 x 1" hex bolt into the threads on the impeller blade. Tighten the hex bolt until the impeller blade breaks free from the PTO shaft. Remove the impeller blade assembly P#(A1839) from the PTO shaft. Remove the key P#(J0254) from the PTO shaft.

**To Replace:** Insert the key P#(J0254) into the keyway slot on the PTO shaft. Align the keyway slot on the bushing of the impeller blade assembly with the key on the PTO shaft and insert the impeller blade onto the PTO shaft. Secure the impeller blade with (1) 5/16"-24 x 7/8" left hand thread hex bolt P#(K1171) and (1) washer P#(K1446). Replace the blower cone P#(V0016) and blower cone hardware. Refer to Figure 2-12 for reference.

Figure 2-12



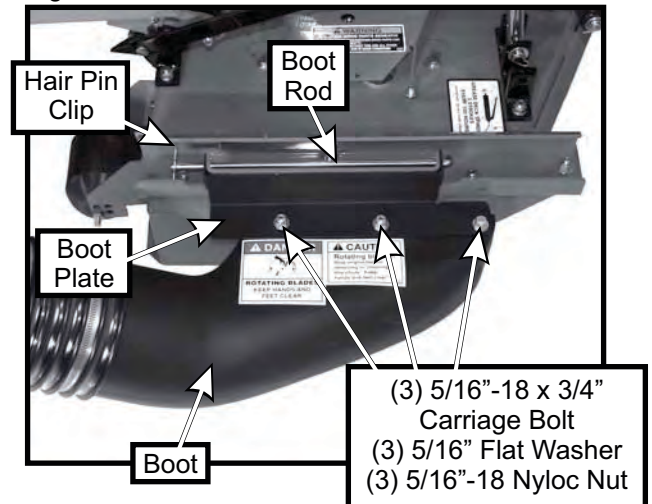
## 2-13 Boot To Mower Deck Installatio

Remove any existing grass deflector from the mower deck. Follow the instructions that correspond to your bagger boot adapter kit.

### Jazee and Jazee Pro 2011

Fasten the boot plate P#(B0627) to the plastic boot P#(V1162) using (3) 5/16"-18 x 3/4" carriage bolt P#(K1142), (3) 5/16" flat washer P#(K0042), and (3) 5/16"-18 nyloc nut P#(K1180). Insert the carriage bolts from the inside of the boot so the threads are on the outside of the boot. This will prevent grass clippings from collecting on the bolt threads. Secure the boot plate to the mower deck with (1) boot rod P#(B0348) and (1) hair pin clip P#(K0099) as shown in Figure 2-13a.

Figure 2-13a

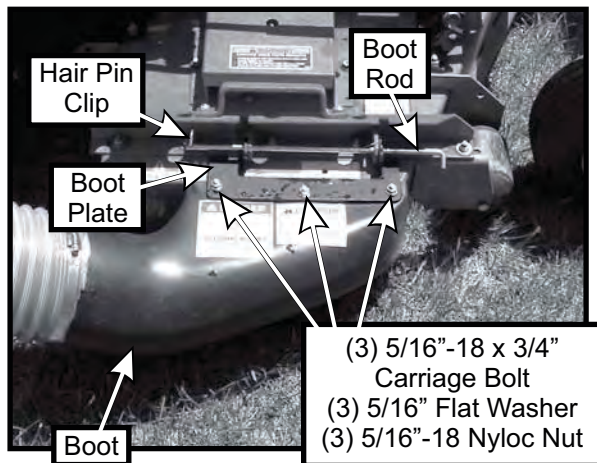


## 2-13 Boot To Mower Deck Installation Continued.

### Jazee & Jazee Pro 2009 & Below

Fasten the boot plate P#(B0468) to the plastic boot P#(V1162) using (3) 5/16"-18 x 3/4" carriage bolt P#(K1142), (3) 5/16" flat washer P#(K0042), and (3) 5/16"-18 nyloc nut P#(K1180). Insert the carriage bolts from the inside of the boot so the threads are on the outside of the boot. This will prevent grass clippings from collecting on the bolt threads. Secure the boot plate to the mower deck with (1) boot rod P#(B0244) and (1) hair pin clip P#(K0099) as shown in Figure 2-13b.

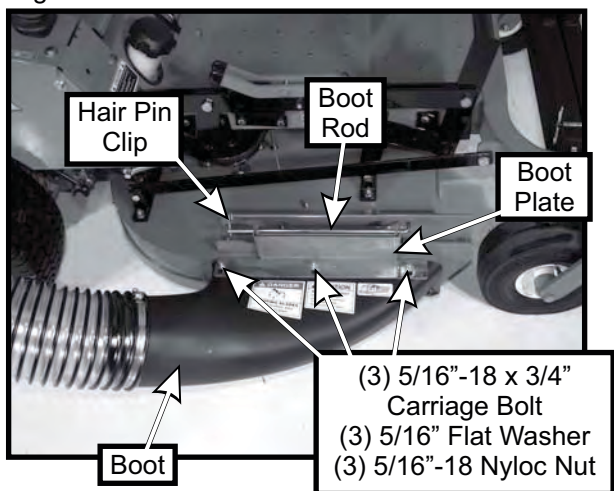
Figure 2-13b KIT#: 629FQ-001A



### Wrangler Series

Fasten the boot plate P#(B0648) to the plastic boot P#(V1166) using (3) 5/16"-18 x 3/4" carriage bolt P#(K1142), (3) 5/16" flat washer P#(K0042), and (3) 5/16"-18 nyloc nut P#(K1180). Insert the carriage bolts from the inside of the boot so the threads are on the outside of the boot. This will prevent grass clippings from collecting on the bolt threads. Secure the boot plate to the mower deck with (1) boot rod P#(B0658) and (1) hair pin clip P#(K0099) as shown in Figure 2-13c.

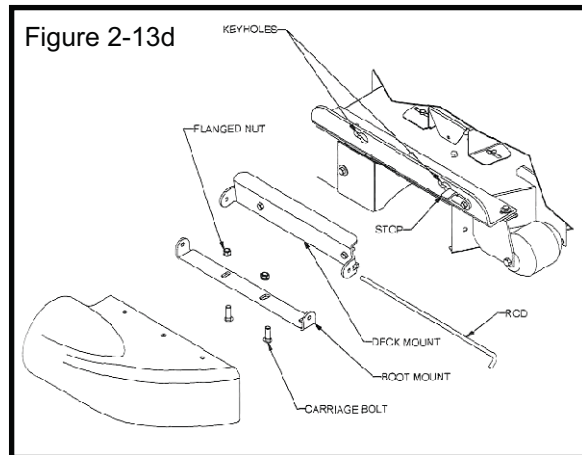
Figure 2-13c



### Jazee and Jazee Pro 2010

Rotate the stop clockwise and slide the chute forward and up to remove. Insert the bagger mount into the same keyholes on the deck. Rotate the stop counter clockwise to lock into place. Fasten the boot to the boot mount bracket with (2) carriage bolts and (2) flange nuts. Insert the carriage bolts from the inside of the boot so the nuts fasten on the top of the boot bracket. This will prevent grass clippings from collecting on the bolts. Position the boot mount over the tabs of the deck mount and slide the boot rod through the holes on both of the mounts and secure with (1) hair pin clip.

Figure 2-13d

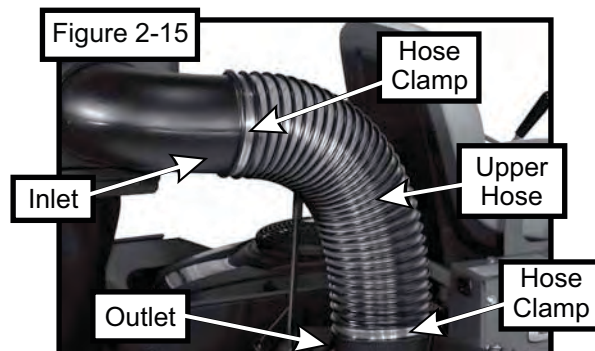


### 2-14 Length of Hose Adjustment

The hoses in sections 2-15 and 2-16 must be cut to fit your machine. Follow steps 2-15 and 2-16. Do not cut the hoses until you have tried to fit them on your machine. Remember that the hoses have to be long enough to adjust for the blower assembly's movement as well as allow enough for clamping surface between the inlet, blower assembly and the deck boot.

### 2-15 Upper Hose Installation

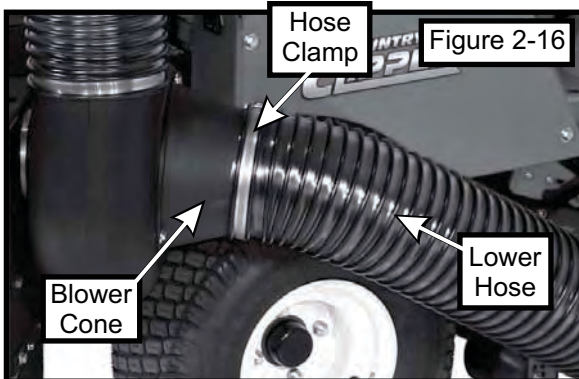
Fasten the inlet to the plastic top by sliding the inlet from the inside of the top assembly and lock the inlet into place. Slide a hose clamp P#(J1000) over both ends of the 6" upper hose P#(F0001). Then slide one end of the upper hose onto the inlet. Make sure there is about a two-inch overlap between the hose end and the inlet. Slide the opposite of the upper hose onto the outlet of the PTO assembly. Make sure there is a two-inch overlap between the hose end and the outlet on the PTO assembly. Make sure both ends of the hose are clearly attached to the inlet and the PTO assembly. Tighten both hose clamps at this time. Refer to Figure 2-15.





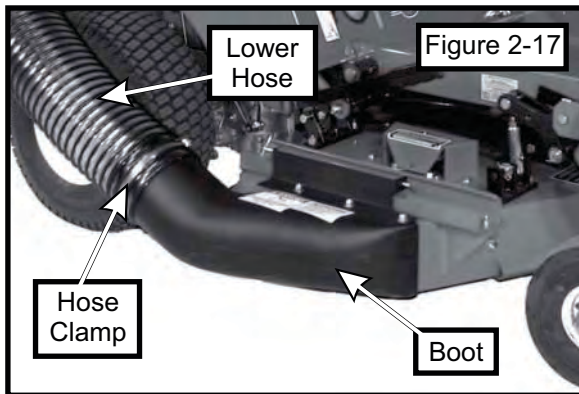
## 2-16 Lower Hose To Blower Cone Installation

Slide a hose clamp P#(J1000) over both ends of the lower hose. Then proceed to slide the lower hose P#(F0001) onto the blower cone. Tighten the lower hose.



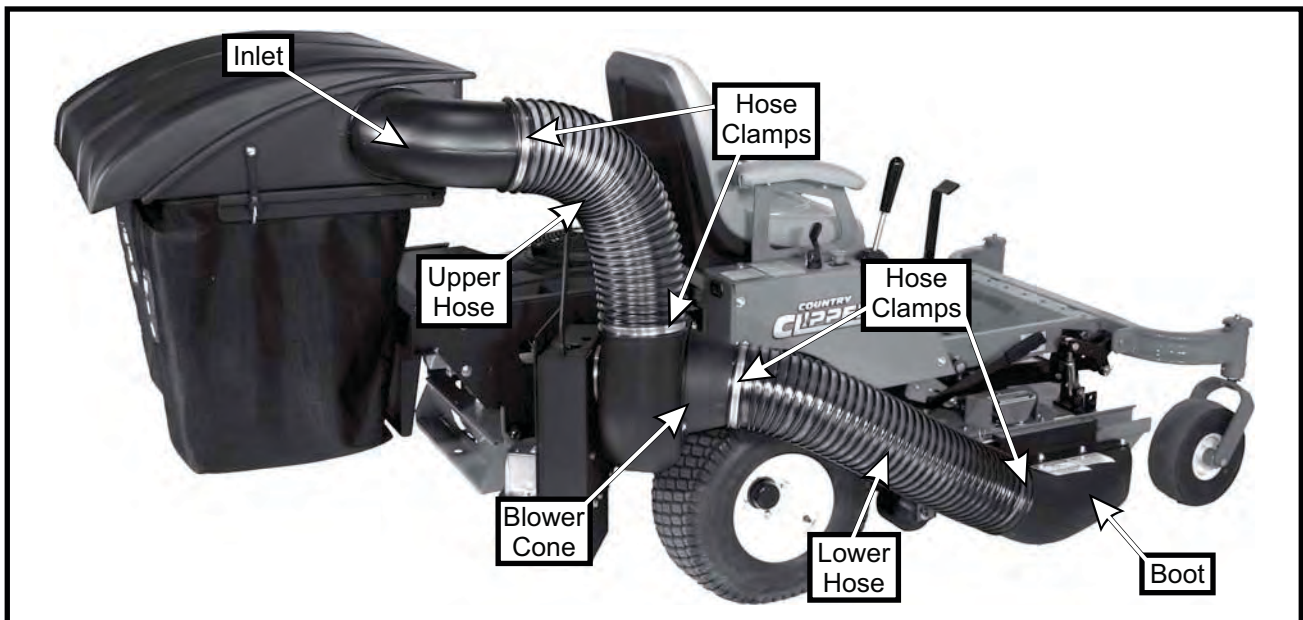
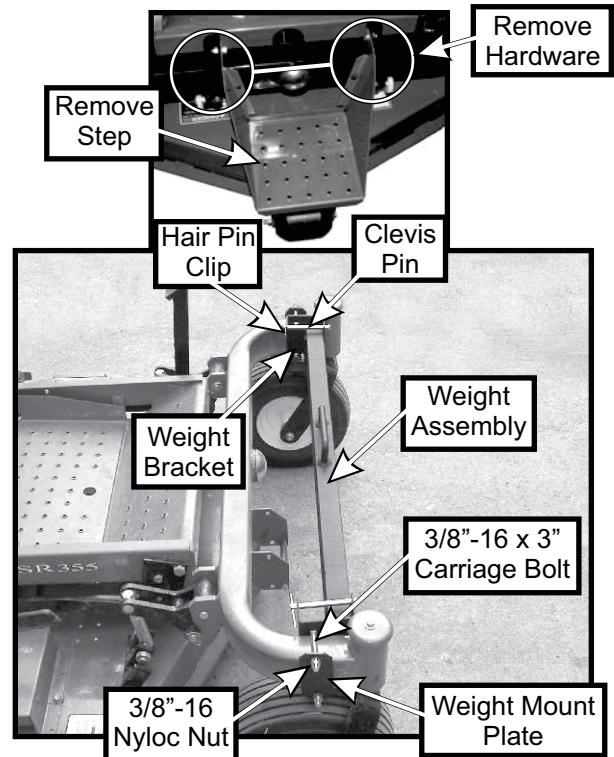
## 2-17 Lower Hose To Boot Installation

Take the unattached end of the lower hose and slide it over the circular end of the boot. Use the hose clamp to secure the hose to the boot. **NOTE:** Before you tighten the hose clamp, rotate the lower hose counter clockwise approximately 1" and then tighten the clamp. This will help hold the bottom edge of the boot tight to the mower deck.



## 2-18 Front Weight Installation

Remove the deck step and hardware from the mower. Fasten the weight brackets P#(B0479) and the weight mount plates P#(B0419) to the front casters using (4) 3/8"-16 x 3" carriage bolts P#(K1187) and (4) 3/8"-16 nyloc nuts P#(K1216). Tighten the bolts only finger tight at this point. Insert (1) weight assembly P#(A0852) into the weight mount brackets. Secure the weight assembly using (2) clevis pins P#(K1625) and (2) hair pin clips P#(K0086). Tighten all hardware. **NOTE:** For the Wrangler series mower, use weight assembly P#(A1113).





## 2-19 Installation/Removal Of Collection Bags

To install the bag P#(G0004) onto the bag ring P#(B0227), first make sure the bag ring end caps P#(J0274) are fastened to the bag ring. Place the seam openings of the bag onto the bag ring openings and turn the bag until the slot bracket in the bag ring is protruding from the opening in the bag (Figure 2-19a). Do this for both bags.

Install the completed assemblies onto the support frame and close the plastic top. To secure the plastic top while in use, fasten the rubber strap with S hook to the right pivot side rail as shown in Figure 2-19b.

To empty the bag, remove the bag and bag ring by sliding the bag rearward. Grasp the loop on the bottom of the bag, turn it upside down and empty the collected debris (Figure 2-19c). Repeat for the other bag. Reinstall both bags, line with plastic bags if desired, close the plastic top and reattach the rubber strap with 'S' hook.

Plastic lawn and leaf bags, 33 gallon size, may be used inside the cloth bags. Be sure to leave enough plastic bag hanging over the frame so the plastic bags can be twist tied before emptying (Figure 2-19d).

Figure 2-19b

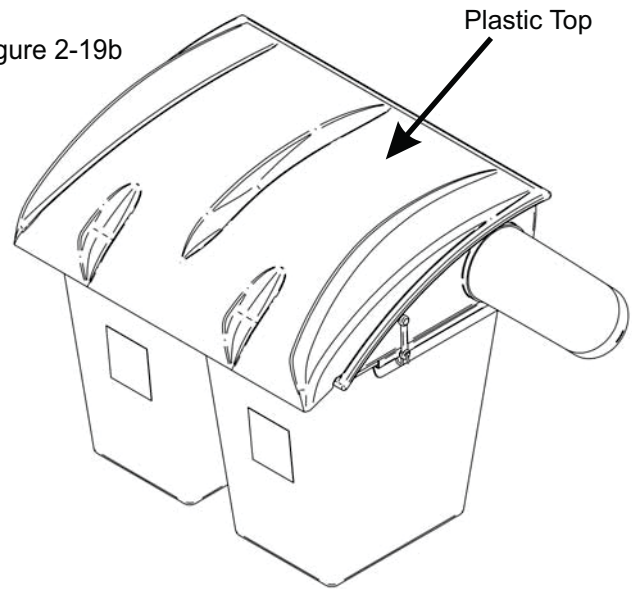


Figure 2-19c

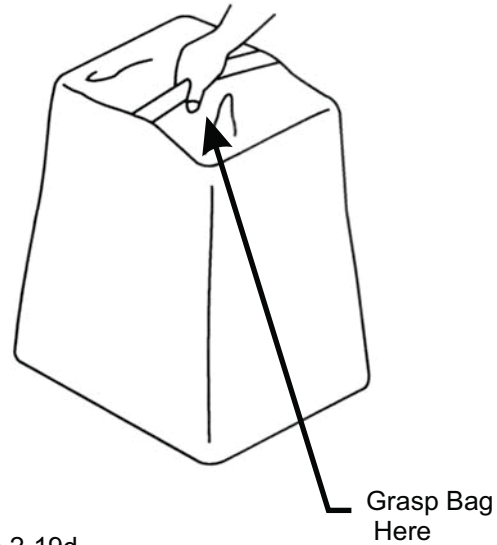


Figure 2-19d

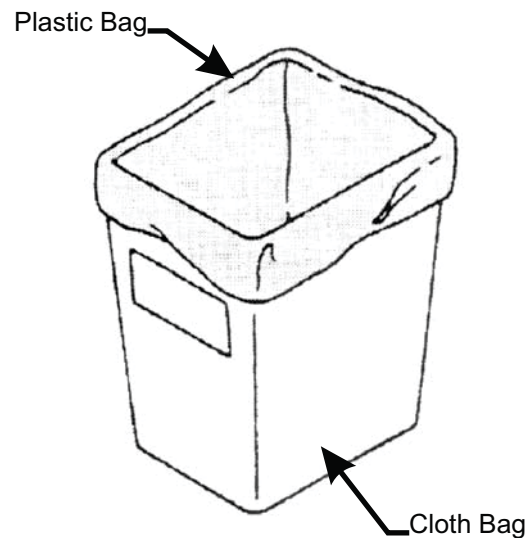
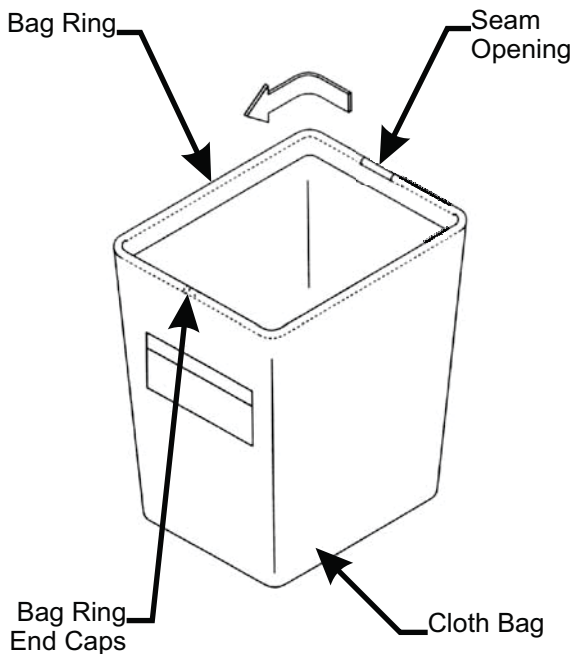


Figure 2-19a



## SECTION III OPERATING INSTRUCTIONS

### 3-1 General Safety

Only qualified people familiar with this operator's manual and the mower's operator's manual should operate this machine.

### 3-2 Operation And Tips On Mowing

- A. Perform BEFORE EACH USE the maintenance list in paragraph 4-1.
- B. Start mower.
- C. With the mower at high idle speed, engage the mower deck.
- D. While seated in the operator's seat, pull the engagement handle of the PTO assembly towards the operator's seat until the handle slides into position in the retaining slot. With the PTO assembly engaged, you can proceed to operate the control levers of the mower.

**NOTE:** If the collection system does not appear to be collecting the grass clippings, disengage the deck and PTO assembly (Section 3-3), then, engage the parking brake and turn the mower off. Check upper and lower hoses for any clogs.

To obtain the maximum effectiveness from your collection system, the tips listed below should be followed:

- \* Watch your speed- Normal conditions will allow a speed of up to approximately 4 mph, but thick, heavy damp conditions will require reduced ground speed.
- \* Mow with sharp blades- A sharp blade cuts cleaner.
- \* Wet grass and leaves will decrease effectiveness and will increase horsepower requirements.
- \* Mow at higher cutting heights- Remove and mulch no more than 2" of grass length with each mowing. (Experts recommend not cutting off more than 1/3 of the grass blade length at any given time.)
- \* Mow twice, at different height settings, (high, then low), if grass is extra tall.
- \* Remember that horsepower requirements will vary with the mowing conditions such as type and height of turf grass, moisture content, amount of leaves, whether the terrain is flat or hilly, etc.

### 3-3 Disengagement Of The PTO Assembly

A. To disengage the PTO assembly, slide the engagement handle out of the retaining slot and push the engagement handle away from the operator's seat.

**WARNING:** The PTO assembly blades will continue to spin. DO NOT TOUCH the PTO assembly, pulleys, or the belt until the tractor is turned off. DO NOT adjust the belt tension until the mower is turned off. Refer to section 2-4 of the manual.

### 3-4 Unloading The Collection System

**NOTE:** To determine when the collection bags are full, follow the following steps:

- A. Stop the forward movement of the mower.
- B. Disengage the mower deck.
- C. Disengage the PTO assembly.
- D. Engage the parking brake.
- E. Once the parking brake has been engaged, then and only then, walk behind the mower and check the collection bags by first unhooking the rubber strap with S hook that secures the plastic top, then lift the plastic hood. Load in bags should not exceed the height of the installed bag.
- F. To remove the bags from the frame slide bags out and turn bags over to deposit clippings.
- G. Slide empty bags back onto the frame and secure plastic top with the rubber strap with 'S' hook.

**NOTE:** Do not allow collection bags to become over-filled as potential damage may occur to your equipment. Also, be sure to clean the hood screen as needed.

## SECTION IV MAINTENANCE

### 4-1 Maintenance Checklist

Before each use:

1. Check blades and spindles to be sure that no foreign objects, such as wire or steel strapping bands, are wrapped around them.
2. Inspect blades for wear. Replace if necessary. If it is necessary to sharpen the blades, remove the blades from the spindles before sharpening. DO NOT sharpen blades while still attached to the mower.

3. Make sure all shields are in place and in good condition. Repair or replace any missing or damaged shields.
4. Perform lubrication per paragraph 4-2.
5. Listen for abnormal sounds, which might indicate loose parts, damaged bearings, or other damage. Correct any deficiency before continuing operation.
6. With the engine off, engage the blower assembly. Check the belt tension and inspect the pulley belt for cracks or tears.
7. Check for wear or deterioration of the upper or lower hoses. If there are any portions of the hose that have been torn or worn through, replace immediately.

After Each Use:

1. Clean all debris from machine especially from the container, underneath the belt shields, and safety decals. Replace any missing or illegible decals.
2. Inspect the unit for worn or damaged components. Repair or replace before the next use. Any replacement component installed during repair shall include the component's current safety decal specified by the manufacturers to be affixed to the component.
3. Check belt for proper tension.

## 4-2 Lubrication

**NOTE:** Use only white lithium based grease for lubrication of the shaft on the blower assembly.

1. On initial use: Grease the fitting on the blower shaft.
2. Every 25 hours of use: Re-grease the grease fitting.
3. Every 200 hours of use: Check oil levels in gear box. Oil in gear box should cover the gears. If not, fill using an EP90 weight oil. 6oz. will fill the gear box from empty.

# SECTION V PARTS AND SERVICE

## 5-1 Parts And Service Information

Collection system owners should record the name and telephone number of their Service Center. Your Service Center will be happy to supply replacement parts, accessories, and do any service or repairs to your collection system. If for any reason your Service Center is unable to service your collection system or supply replacement parts, contact PECO Inc. and include the following information on the chart below.

THE SERIAL NUMBER PLATE  
IS LOCATED ON THE TOP  
ASSEMBLY

WRITE THE MODEL AND  
SERIAL NUMBER IN THE  
BOX TO THE LEFT  
FOR FUTURE REFERENCE.

**Unit Model Number:** \_\_\_\_\_  
**Unit Engine Size:** \_\_\_\_\_  
**Unit Serial Number:** \_\_\_\_\_  
**Date of purchase:** \_\_\_\_/\_\_\_\_/\_\_\_\_\_  
**Dealer/Distributor Name:** \_\_\_\_\_  
**Address:** \_\_\_\_\_ **State:** \_\_\_\_\_ **Zip:** \_\_\_\_\_  
**Phone Number:** \_\_\_\_\_



**MODEL#: 49120903**

**MOWER NAME: COUNTRY CLIPPER**

**MOWER MODEL: JAZEE & JAZEE PRO**

**MOWER DECK SIZE: 42" THRU 52"**

**VAC NAME: 9 CUBIC FOOT PRO BAGGER**



**FOR YEAR: 2009 - BELOW**

**REVISED:**

**A1982 UNIT ASSEMBLY**

(1) **A1028 TOP ASSEMBLY**

(1) **V0019 INLET**

(1) **6" x 32" LOWER HOSE**

(4) **J1000 HOSE CLAMPS**

(1) **6" x 25" UPPER HOSE**

(1) **M0268 A47K KEVLAR BELT**

(1) **HB0613 HARDWARE BAG**

(1) **HB0352 ENGINE PULLEY HARDWARE BAG**

(1) **B0452 LT. FRAME BRACKET**

(1) **A1091 LOWER FRAME ASSEMBLY**

(1) **A0871 UPPER FRAME ASSEMBLY**

(1) **A1840 PTO ASSEMBLY**

(2) **B0227 BAG RING**

(2) **G0004 2.9 CU. FT. COLLECTION BAGS**

(1) **A1008 RT. FRAME MNT. ASSY.**

(1) **V0016 BLOWER CONE 6"**

(1) **J0282 EXHAUST DIVERTER**

**A1035 WEIGHT KIT**

(1) **HB0353 HARDWARE BAG**

(2) **B0419 WEIGHT MNT. PL.**

(1) **A0852 WEIGHT ASSY.**

(1LT. & 1RT.) **B0479 WEIGHT BRACKET**

**A1983 BOOT KIT**

(1) **B0468 BOOT PLATE**

(1) **V1162 BOOT**

(1) **HB0349 HARDWARE BAG**

(1) **B0244 BOOT ROD**

**MODEL#: 49120904**

**MOWER NAME: COUNTRY CLIPPER**

**MOWER MODEL: JAZEE & JAZEE PRO**

**MOWER DECK SIZE: 42" THRU 52"**

**VAC NAME: 9 CUBIC FOOT PRO BAGGER**



**FOR YEAR: 2010**

**A1982 UNIT ASSEMBLY**

(1) **A1028 TOP ASSEMBLY**

(1) **V0019 INLET**

(1) **6" x 32" LOWER HOSE**

(1) **6" x 25" UPPER HOSE**

(4) **J1000 HOSE CLAMPS**

(1) **M0268 A47K KEVLAR BELT**

(1) **HB0613 HARDWARE BAG**

(1) **HB0352 ENGINE PULLEY HARDWARE BAG**

(1) **B0452 LT. FRAME BRACKET**

(1) **A1091 LOWER FRAME ASSEMBLY**

(1) **A1840 PTO ASSEMBLY**

(1) **A0871 UPPER FRAME ASSEMBLY**

(2) **B0227 BAG RING**

(2) **G0004 2.9 CU. FT. COLLECTION BAGS**

(1) **A1008 RT. FRAME MNT. ASSY.**

(1) **V0016 BLOWER CONE 6"**

(1) **J0282 EXHAUST DIVERTER**

**A1035 WEIGHT KIT**

(1) **HB0353 HARDWARE BAG**

(2) **B0419 WEIGHT MNT. PL.**

(1) **A0852 WEIGHT ASSY.**

(1LT. & 1RT.) **B0479 WEIGHT BRACKET**

**A1984 BOOT KIT**

(1) **HB0436 HARDWARE BAG**

(1) **V1162 BOOT**

(1) **B0348 BOOT ROD**

(1) **B0655 BOOT MOUNT**

(1) **B0656 DECK MOUNT**

**MODEL#: 49120905**

**MOWER NAME: COUNTRY CLIPPER**

**MOWER MODEL: JAZEE & JAZEE PRO**

**MOWER DECK SIZE: 42" THRU 52"**

**VAC NAME: 9 CUBIC FOOT PRO BAGGER**



**FOR YEAR: 2011**

**A1982 UNIT ASSEMBLY**

(1) **A1028 TOP ASSEMBLY**

(1) **V0019 INLET**

(1) **6" x 32" LOWER HOSE**

(4) **J1000 HOSE CLAMPS**

(1) **6" x 25" UPPER HOSE**

(1) **M0268 A47K KEVLAR BELT**

(1) **HB0613 HARDWARE BAG**

(1) **HB0352 ENGINE PULLEY HARDWARE BAG**

(1) **B0452 LT. FRAME BRACKET**

(1) **A1091 LOWER FRAME ASSEMBLY**

(1) **A0871 UPPER FRAME ASSEMBLY**

(1) **A1840 PTO ASSEMBLY**

(2) **B0227 BAG RING**

(2) **G0004 2.9 CU. FT. COLLECTION BAGS**

(1) **A1008 RT. FRAME MNT. ASSY.**

(1) **V0016 BLOWER CONE 6"**

(1) **J0282 EXHAUST DIVERTER**

**A1035 WEIGHT KIT**

(1) **HB0353 HARDWARE BAG**

(2) **B0419 WEIGHT MNT. PL.**

(1) **A0852 WEIGHT ASSY.**

(1LT. & 1RT.) **B0479 WEIGHT BRACKET**

**A1985 BOOT KIT**

(1) **B0348 BOOT ROD**

(1) **V1162 BOOT**

(1) **HB0349 HARDWARE BAG**

(1) **B0627 BOOT PLATE**



**MODEL#: 49120906**

**MOWER NAME: COUNTRY CLIPPER**

**MOWER MODEL: WRANGLER**

**MOWER DECK SIZE: 42" THRU 52"**

**VAC NAME: 9 CUBIC FOOT PRO BAGGER**

**FITS MODEL SR125**



**FOR YEAR: 2011**

**A1982 UNIT ASSEMBLY**

(1) **A1028 TOP ASSEMBLY**

(1) **V0019 INLET**

(1) **6" x 34" LOWER HOSE**

(4) **J1000 HOSE CLAMPS**

(1) **6" x 25" UPPER HOSE**

(1) **M0268 A47K KEVLAR BELT**

(1) **HB0613 HARDWARE BAG**

(1) **HB0352 ENGINE PULLEY HARDWARE BAG**

(1) **A0871 UPPER FRAME ASSEMBLY**

(1) **B0452 LT. FRAME BRACKET**

(1) **A1091 LOWER FRAME ASSEMBLY**

(1) **A1840 PTO ASSEMBLY**

(2) **B0227 BAG RING**

(2) **G0004 2.9 CU. FT. COLLECTION BAGS**

(1) **A1008 RT. FRAME MNT. ASSY.**

(1) **V0016 BLOWER CONE 6"**

(1) **J0282 EXHAUST DIVERTER**

**A1129 WEIGHT KIT**

(1) **HB0353 HARDWARE BAG**

(2) **B0419 WEIGHT MNT. PL.**

(1LT. & 1RT.) **B0479 WEIGHT BRACKET**

(2) **A1113 WEIGHT ASSY.**

**A1118 BOOT KIT**

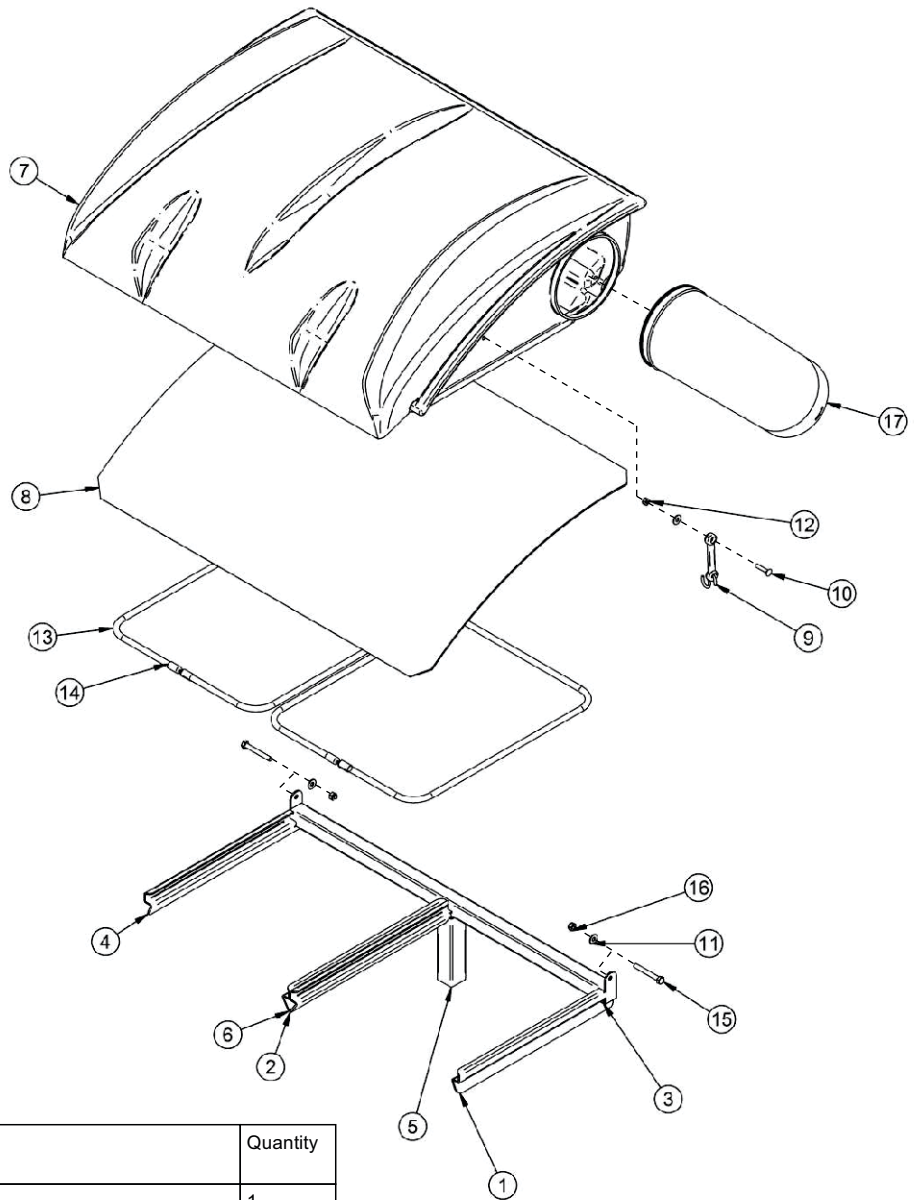
(1) **HB0349 HARDWARE BAG**

(1) **B0648 BOOT PLATE**

(1) **B0348 BOOT ROD**

(1) **V1167 BOOT**

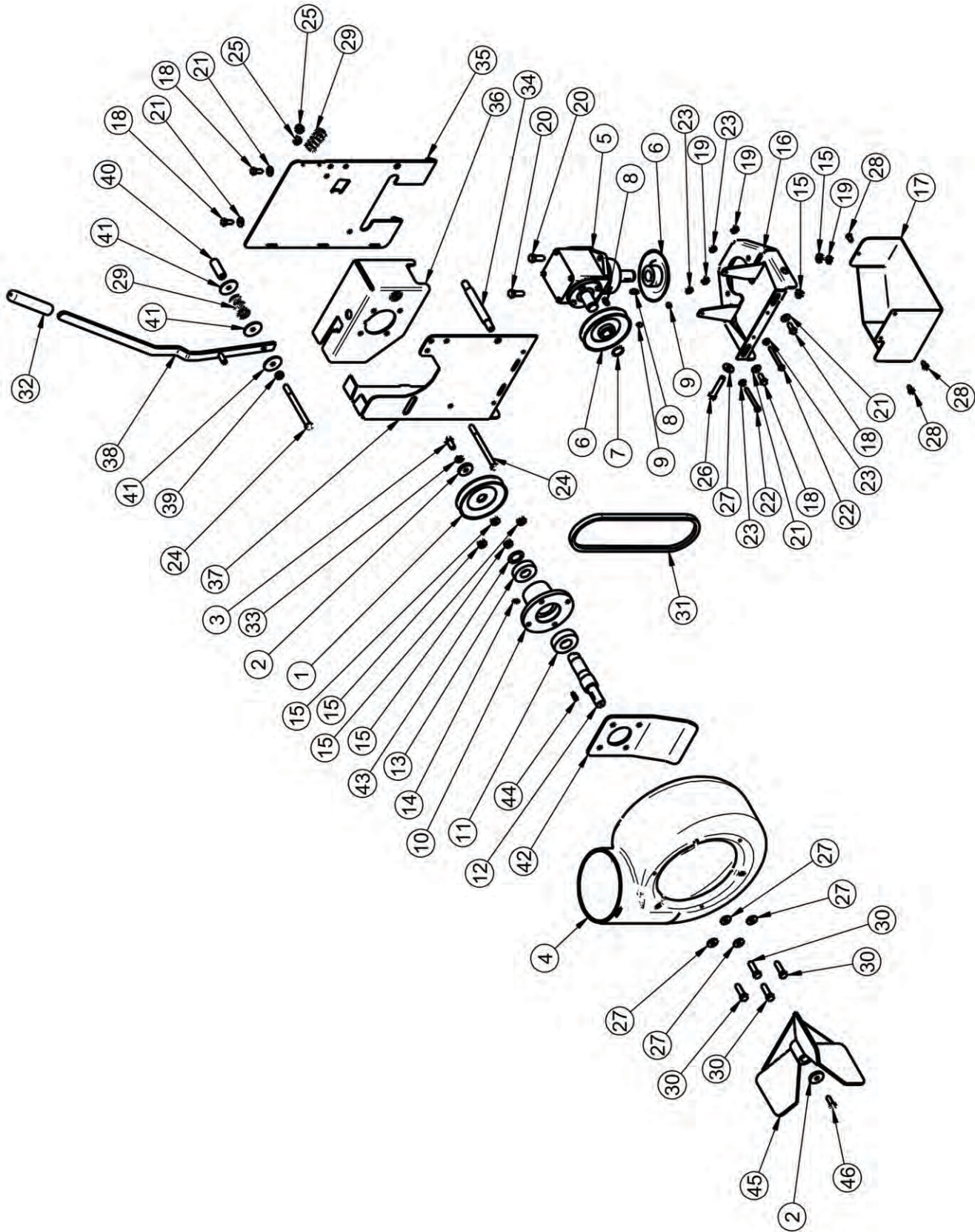
**TOP/UPPER FRAME ASSEMBLY  
EXPLODED VIEW  
AND PARTS LIST**



Item Number	Document Number	Title	Quantity
1	B0451	RT. PIVOT SIDE RAIL	1
2	B0448	RT. CENTER RAIL	1
3	B0459	RAIL MNT. TUBE	1
4	B0450	LT. PIVOT SIDE RAIL	1
5	B0449	VERT. MNT. TUBE	1
6	B0470	LT. CENTER RAIL	1
7	V0017	BAGGER TOP	1
8	V0018	SCREEN	1
9	J4009	SHORT RUBBER STRAP W/ S HOOK	1
10	K1030	1/4"-20 x 1-1/4" CARRIAGE BOLT	1
11	K0037	1/4" FLAT WASHER .75 OD x .314 ID x .060 T	3
12	K1128	1/4"-20 NYLOC NUT	1
13	B0227	BAG RING	2
14	J0274	BAG RING END CAP	4
15	K0125	5/16"-18 x 2-1/2" ALL THREAD HHCS	2
16	K1180	5/16"-18 NYLOC NUT	2
17	V0019	INLET	1

# A1840 PTO ASSEMBLY

## EXPLODED PARTS VIEW DESCRIPTION



**A1840 PTO ASSEMBLY  
EXPLODED PARTS VIEW**

Item #	Doc #	Title	Qty
1	M0266	'A' PULLEY FOR DECK DRIVE PTO	1
2	K1446	1.187 OD x .380 ID x .187 WASHER	2
3	k1190	3/8"-16 x 3/4" HHCS	1
4	V0015	BLOWER HSG.	1
5	A0431	GEAR BOX	1
6	A0498	PULLEY ASSY. FOR GEAR BOX	2
7	K0360	7/8" SNAP RING	2
8	J0272	#9 WOODRUFF KEY	2
9	K0035	5/16-18 SET SCREW	2
10	E0015	PTO SHAFT HOUSING	1
11	n0147	BEARING 2.0472 OD, 0.9843 ID, 0.5906 W (6205RS PEER)	1
12	B0460	PTO SHAFT	1
13	N0165	BEARING	1
14	J0801	1/4"-28 ZIRC FITTING	1
15	K1215	3/8"-16 FLANGE NUT	7
16	B0466	BASE PL.	1
17	B0478	GEAR BOX PULLEY GUARD	1
18	K1153	5/16"-18 x 3/4" HHCS	4
19	K1178	5/16"-18 FLANGE NUT	4
20	k1191	3/8"-16 x 1" HHCS	2
21	K0037	1/4" FLAT WASHER .75 OD x .314 ID x .060 T	4
22	k1150	1/4"-20 x 2-1/4" HHCS	2
23	K1126	1/4"-20 FLANGE NUT	4
24	K1202	3/8"-16 x 4-1/2" HHCS G5	2
25	k1216	3/8"-16 NYLOC NUT	2
26	K0348	3/8"-16 x 2" ALL THREAD HHCS	1
27	k0042	5/16" FLAT WASHER .875 OD x .380 ID x .075 T	5
28	K0353	1/4"-20 x 1/2" HHSTS	3
29	J0303	SPRING	2
30	K1192	3/8"-16 x 1-1/4" HHCS	4
31	M0267	A28K KEVLAR BELT	1
32	V1151	5/8" ID x 4-3/4" BLACK HANDLE GRIP	1
33	K0048	3/8" LOCK WASHER	1
34	B0505	PTO ARM MNT. ROD	1
35	B0506	LT. PTO ARM	1
36	B0642	BLWR. MNT. BRKT.	1
37	B0643	RT PTO ARM	1
38	A1112	PTO HANDLE ASSY	1
39	B0510	SPACER BUSHING	1
40	B0511	SPACER BUSHING	1
41	K0403	WASHER 1-1/2" OD x 3/8" ID	3
42	B0739	Blower Hsg. Stiffener Pl.	1
43	K0070	Flat Washer SS	1
44	J0254	3/16" x 3/16". x 3/4" Key	1
45	A1839	3-Blade Impeller Assy.	1
46	K1171	5/16"-24 LH x 7/8" HHCS GR. 5 w/ Patch Coating	1

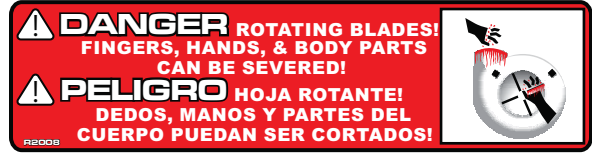


# SAFETY DECALS

To promote safe operation, Country Clipper Inc. supplies safety decals on all products manufactured. Damage can occur to safety decals either through shipment, use or reconditioning. Contact your local Service Center for replacement decals.



Part #: R2007  
Never Use Hands Label



Part #: R2008  
Rotating Blades Label



Part #: R4037  
Warning: Hot Surface Label



Part #: R1070  
PECO Label



Part #: R1052  
Small Warning: Turn Off Blower Label



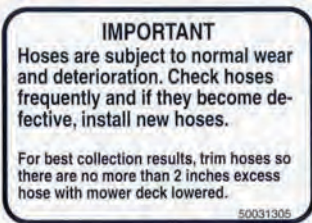
Part #: R1100  
Engage-Disengage Label



Part #: R1065  
Made In America Label



Part #: R1069  
Warning: Turn Off Blower Label



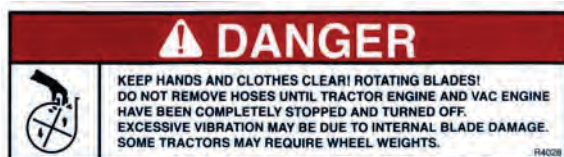
Part #: R1054  
Important Label



Part #: R1051  
Warning: Hearing Protection Label



Part #: R4015  
Danger: Rotating Blades Label



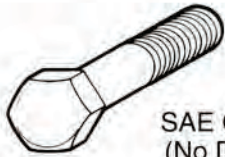
Part #: R4028  
Danger Keep Hands & Clothes Clear Label



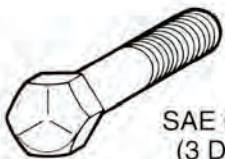
Part #: R4008  
Caution: Rotating Blades Label

# TORQUE SPECIFICATIONS

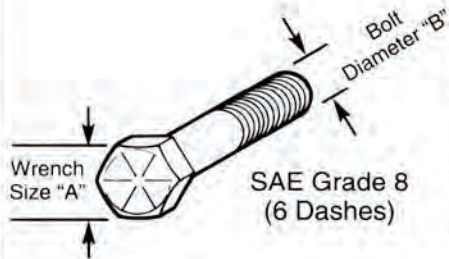
## AMERICAN Bolt Head Markings



SAE Grade 2  
(No Dashes)



SAE Grade 5  
(3 Dashes)

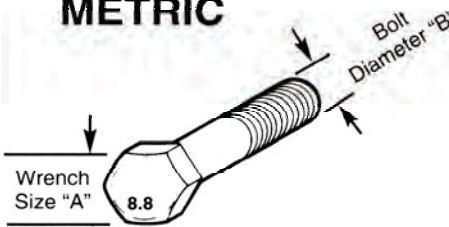


SAE Grade 8  
(6 Dashes)

Recommended Torque in Foot Pounds (Newton Meters).\*

WRENCH SIZE (IN.) "A"	BOLT DIAMETER (IN.) "B" AND THREAD SIZE	SAE GRADE 2	SAE GRADE 5	SAE GRADE 8
7/16	1/4 - 20 UNC	6 (7)	8 (11)	12 (16)
7/16	1/4 - 28 UNF	6 (8)	10 (13)	14 (18)
1/2	5/16 - 18 UNC	11 (15)	17 (23)	25 (33)
1/2	5/16 - 24 UNF	13 (17)	19 (26)	27 (37)
9/16	3/8 - 16 UNC	20 (27)	31 (42)	44 (60)
9/16	3/8 - 24 UNF	23 (31)	35 (47)	49 (66)
5/8	7/16 - 14 UNC	32 (43)	49 (66)	70 (95)
5/8	7/16 - 20 UNF	36 (49)	55 (75)	78 (106)
3/4	1/2 - 13 UNC	49 (66)	76 (103)	106 (144)
3/4	1/2 - 20 UNF	55 (75)	85 (115)	120 (163)
7/8	9/16 - 12 UNC	70 (95)	109 (148)	153 (207)
7/8	9/16 - 18 UNF	79 (107)	122 (165)	172 (233)
15/16	5/8 - 11 UNC	97 (131)	150 (203)	212 (287)
15/16	5/8 - 18 UNF	110 (149)	170 (230)	240 (325)
1-1/8	3/4 - 10 UNC	144 (195)	266 (360)	376 (509)
1-1/8	3/4 - 16 UNF	192 (260)	297 (402)	420 (569)
1-5/16	7/8 - 9 UNC	166 (225)	430 (583)	606 (821)
1-5/16	7/8 - 14 UNF	184 (249)	474 (642)	668 (905)
1-1/2	1 - 8 UNC	250 (339)	644 (873)	909 (1232)
1-1/2	1 - 12 UNF	274 (371)	705 (955)	995 (1348)
1-1/2	1 - 14 UNF	280 (379)	721 (977)	1019 (1381)
1-11/16	1-1/8 - 7 UNC	354 (480)	795 (1077)	1288(1745)
1-11/16	1-1/8 - 12 UNF	397 (538)	890 (1206)	1444 (1957)
1-7/8	1-1/4 - 7 UNC	500 (678)	1120 (1518)	1817 (2462)
1-7/8	1-1/4 - 12 UNF	553 (749)	1241 (1682)	2013 (2728)
2-1/16	1-3/8 - 6 UNC	655 (887)	1470 (1992)	2382 (3228)
2-1/16	1-3/8 - 12 UNF	746 (1011)	1672 (2266)	2712 (3675)
2-1/4	1-1/2 - 6 UNC	870 (1179)	1950 (2642)	3161 (4283)
2-1/4	1-1/2 - 12 UNF	979 (1327)	2194 (2973)	3557 (4820)

## METRIC



Numbers appearing on bolt heads indicate ASTM class.

Recommended torque in foot pounds (newton Meters).\*

WRENCH SIZE (mm) "A"	BOLT DIA. (mm) "B"	ASTM 4.6	ASTM 8.8	ASTM 9.8	ASTM 10.9
8	5	1.8 (2.4)		5.1 (6.9)	6.5 (8.8)
10	6	3 (4)		8.7 (12)	11.1 (15)
13	8	7.3 (10)		21.1 (29)	27 (37)
16	10	14.5 (20)		42 (57)	53 (72)
18	12	25 (34)	74 (100)	73 (99)	93 (126)
21	14	40 (54)	118 (160)	116 (157)	148 (201)
24	16	62 (84)	167 (226)	181 (245)	230 (312)
30	20	122 (165)	325 (440)		449 (608)
33	22		443 (600)		611 (828)
36	24	211 (286)	563 (763)		778 (1054)
41	27		821 (1112)		1138 (1542)
46	30	418 (566)	1119 (1516)		1547 (2096)

\*Use 75% of the specified torque value for plated fasteners. Use 85% of the specified torque values for lubricated fasteners.





**100 AIRPORT ROAD  
ARDEN, NORTH CAROLINA 28704  
(800) 438-5823 OR (828) 684-1234 FAX: (828) 684-0858  
EMAIL: [peco@lawnvac.com](mailto:peco@lawnvac.com)  
WEBSITE: [www.lawnvac.com](http://www.lawnvac.com)**