



PTO GRASS COLLECTION SYSTEM

DESIGNED FOR:

Classic & Xcaliber Series



XTREME ***COLLECTION SYSTEM***

2011 - 2014

MODEL #: 38621237 & 38621238

Classic (2960 & 3360)

Xcaliber (3366)

OPERATOR'S MANUAL

ASSEMBLY • OPERATION • MAINTENANCE

MANUAL PART#: Q0445

XT GRASS COLLECTION SYSTEM

TABLE OF CONTENTS

| SECTION | PAGE | SECTION | PAGE |
|--|-------|---|-------|
| Safety | 2 | 2-13 Length of Hose Adjustment | 17 |
| Safety Alert Symbols | 3 | 2-14 Upper Hose Installation | 17 |
| Warranty | 4 | 2-15 Lower Hose To Blower Cone Installation | 17 |
| I INTRODUCTION AND DESCRIPTION | 5 | 2-16 Lower Hose To Boot Installation | 17 |
| 1-1 Introduction | 5 | 2-17 Impeller Blade Removal/Replacement | 18 |
| 1-2 Description | 5 | 2-18 Weight Kit Installation | 19 |
| II INSTALLATION FOR USE | 6 | Exploded Drawing Views and Parts Lists | 20-23 |
| 2-1 Preparation Of Mower | 6 | III OPERATING INSTRUCTIONS | 24 |
| 2-2 PTO Mount Plate Assembly Installation | 7 | 3-1 General Safety | 24 |
| 2-3 PTO Assembly Installation | 8 | 3-2 Operation & Tips On Mowing | 24 |
| 2-4 Belt Installation and Adjustment | 9 | 3-3 Disengagement Of The Blower | 24 |
| 2-5 Cam Assembly Adjustment | 10 | 3-4 Unloading The Collection System | 24 |
| 2-6 Blower Cone Installation | 10 | IV MAINTENANCE | 24 |
| 2-7 Lower Main Frame Installation | 11 | 4-1 Maintenance Checklist | 24-25 |
| 2-8 Main Frame Assembly Installation | 11 | 4-2 Lubrication | 25 |
| 2-9 Lift Handle Installation | 12 | V PARTS AND SERVICE | 25 |
| 2-10 Aluminum Grass Container Installation | 13 | 5-1 Parts And Service Information | 25 |
| 2-11 Dump Mechanism Adjustment | 13 | Safety Decals | 26 |
| Aluminum Grass Container Exploded View | 14 | Torque Specifications | 27 |
| 2-12 Boot To Mower Deck Installation | 15-16 | | |

Safety

1. Read the operator's manual carefully and familiarize yourself with the proper use of your attachment. Do not allow anyone who is not acquainted with the Safety Instructions to use your attachment.
2. Know the controls and how to stop quickly. READ THE OPERATOR'S MANUAL!
3. Do not allow children to operate the vehicle. Do not allow adults to operate it without proper instruction.
4. Be especially watchful of children and pets darting into the area while operating.
5. Keep your eyes and mind on your unit while mowing or operating your attachment. Don't let others distract you.
6. Do not attempt to operate your unit or mower when not in the driver's seat.
7. Always stop unit when emptying the container.
8. Stop unit, shut off deck attachment, set parking brake, shut off mower engine and remove spark plug wire before removing clogs, removing or replacing hose, boot, blower cone, or performing any maintenance.
9. Mow across the face of slopes (not steeper than 10 degrees); never up and down the face.
10. It is recommended that the container be kept only half full when negotiating any slopes. Start mowing on slopes when the container is empty.
11. Inspect your lawn and remove any foreign objects before mowing. Never deliberately run the mower across any foreign object.
12. Wear ear protection if the noise level is offensive.
13. Wear eye protection to prevent debris from damaging your eyes.

SAFETY

WARNING! NEVER operate the mower unless the discharge guard and either the deflector assembly or the vacuum collector adapter are fastened securely in place.

WARNING! Do not work around the mower deck boot or the blower area until you are certain that the mower blades and the blower impeller have stopped rotating.

WARNING! To avoid serious injury, perform maintenance on the vacuum collector; **ONLY AFTER STOPPING THE MOWER'S ENGINE AND WAITING FOR ALL MOVING PARTS TO COME TO A COMPLETE STOP.** Set the parking brake. Always remove the ignition key before beginning maintenance.

WARNING! For your own personal safety, **ALWAYS** mow **ACROSS** the face of slopes and **NEVER UP and DOWN** the face. **NEVER** attempt to mow excessively steep slopes, and use caution when turning on any slope.

Safety Alert Symbol



This Safety Alert Symbol means: **“ATTENTION! BECOME ALERT! YOUR SAFETY IS INVOLVED!”**

This symbol is used to call attention to safety precautions that should be followed by the operator to avoid accidents. When you see this symbol, carefully read the message that follows and heed its advice. Failure to comply with safety precautions could result in death or serious bodily injury.

Safety Signs

The signal words **DANGER**, **WARNING**, and **CAUTION** are used on the equipment safety signs. These words are intended to alert the viewer to the existence and the degree of hazard seriousness.



White letters on **RED**

This signal word indicates a potentially hazardous situation which, if not avoided, will result in death or serious injury.



Black letters on **ORANGE**

This signal word indicates a potentially hazardous situation which, if not avoided, could result in death or serious injury.

It may also be used to alert against unsafe practices.



Black letters on **YELLOW**

This signal word indicates a potentially hazardous situation exist which, if not avoided, will result in minor or moderate injury.

It may also be used to alert against unsafe practices.

DIXIE CHOPPER LIMITED WARRANTY FOR NEW PRODUCTS

A. WHAT IS UNDER WARRANTY?

Dixie Chopper extends the following warranties to the original purchaser of each new Dixie Chopper consumer product subject to the following limitations.

- 1. PRODUCT WARRANTY:** Any part of any consumer product, which is defective in material or workmanship as delivered to the purchaser will be repaired or replaced, as Dixie Chopper elects, without charge for parts or labor, if the defect appears within 12 months from the date of delivery of the product to the original purchaser.
ALL DEFECTIVE PARTS MUST BE RETURNED TO DIXIE CHOPPER FOR INSPECTION TO DETERMINE VALIDITY OF WARRANTY CLAIMS. Freight and mailing will be borne by the customer.
- 2. PARTS REPLACED DURING WARRANTY:** Any new Dixie Chopper part which is furnished in performance of this warranty and is defective in material or workmanship as delivered to the purchaser will be repaired or replaced, as Dixie Chopper elects, without charge if the defect appears within 90 days from the date of installation of such part or before the expiration of the original warranty period, whichever is later.

B. SECURING WARRANTY ADJUSTMENTS.

All Warranty will be submitted by an Authorized Dixie Chopper Dealer directly to Dixie Chopper.

C. ITEMS NOT COVERED BY DIXIE CHOPPER WARRANTY.

Engines and batteries attached to Dixie Chopper products are covered under a separate warranty by the respective manufacturer.

D. UNAPPROVED ALTERATION OR MODIFICATION.

All obligations of Dixie Chopper under this warranty shall be terminated if products are altered or modified in ways not approved by Dixie Chopper.

E. ACCIDENTS AND NORMAL MAINTENANCE.

The warranty covers only defective material and workmanship. It does not cover depreciation or damage caused by normal wear, accident, improper use or abuse of products. The cost of normal maintenance and normal replacement of service items such as belts, cutting blades, hoses, etc., which are not defective shall be paid for by the purchaser.

F. NO REPRESENTATIONS ADDITIONAL WARRANTIES, DISCLAIMER.

Neither Dixie Chopper nor any company affiliated with it makes any warranties, representations or promises as to the quality of performance of its products other than those set forth herein. Except as described above, Dixie Chopper makes no other warranties **AND SPECIFICALLY DISCLAIMS ANY AND ALL IMPLIED WARRANTIES OF FITNESS AND MERCHANTABILITY.**

G. ANY MACHINE USED FOR RENTAL PURPOSES ARE GUARANTEED FOR 45 DAYS FROM DATE OF ORIGINAL SALE ONLY.

H. REMEDIED EXCLUSIVE.

The only remedies the purchaser has in connection with the breach or performance of any warranty on Dixie Chopper consumer products are set forth above. In no event will Dixie Chopper be liable for special incidental or consequential damages.

1. NO SERVICE CENTER WARRANTY.

The selling Service Center makes no warranty on his own on any item warranted by Dixie Chopper unless he delivers to purchaser a separate written warranty certificate specifically warranting the item. The dealer has no authority to make any representation or promise on behalf of Dixie Chopper or to modify the terms of this warranty in any way.

Section I - INTRODUCTION AND DESCRIPTION

1-1 Introduction

Your collection system has been designed to give you a low maintenance, simple, and effective way to collect the grass clippings from your mower. This manual is provided to give you the necessary instructions to properly mount and operate the collection system on your mower. Please read this manual thoroughly. Understand what each control is for and how to use it. Observe all safety decal precautions on the machine and noted throughout the manual.

NOTE: all references made to right, left, front, rear, top or bottom are as viewed from the normal operator's position on the mower.

1-2 Description

The grass collection system is designed for turf maintenance where there is a need to collect the grass clippings as the mower cuts the turf. It is also used for picking up leaves and in pre-season and post-season clean-up. The blower, mounted on the right side of the unit, uses a belt and gearbox system from the engine PTO shaft. Drive train protection comes through belt slippage. The blower draws grass clippings from the discharge area of the cutter deck back to the 12 cubic foot aluminum box at the rear portion of the mower frame. The operator can engage the blower with a push of the over-center linkage on the right side of the unit, or starting the external engine. Once the collection box is full with clippings, it can be released to make for easy dumping.



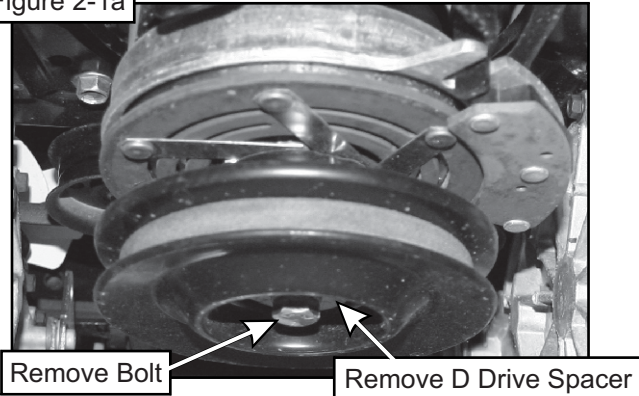
Section II - INSTALLATION FOR USE

2-1 Preparation Of Mower

NOTE: The mower deck PTO belt must be removed from the electric clutch before continuing with the installation. Refer to your Dixie Chopper mower owner's manual for instructions on PTO belt removal.

From the underside of the engine, disconnect the wiring harness attached to the electric clutch. Remove the bolt and electric clutch from the mower. Refer to Figure 2-1a.

Figure 2-1a



Remove the D-drive spacer using an arbor press or equivalent. On removal, adjacent bearing OUTER race must be supported or bearing damage may occur. Refer to Figure 2-1b.

Figure 2-1b

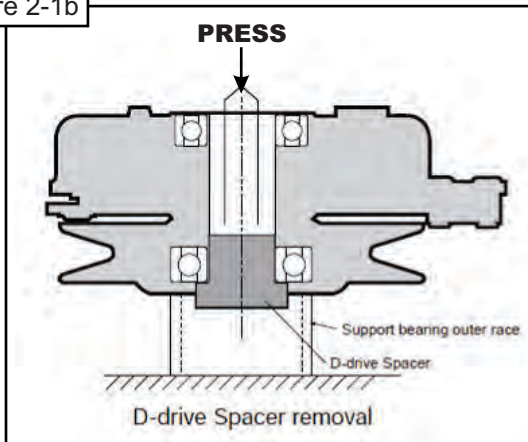
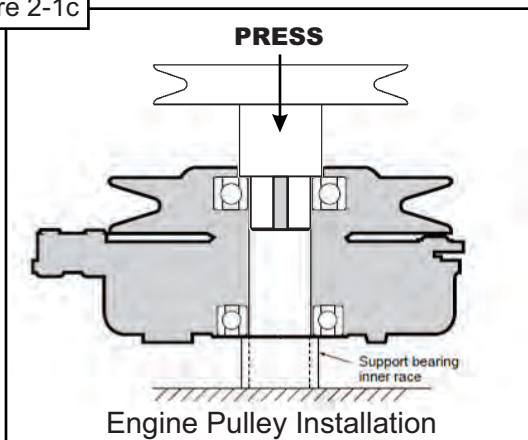


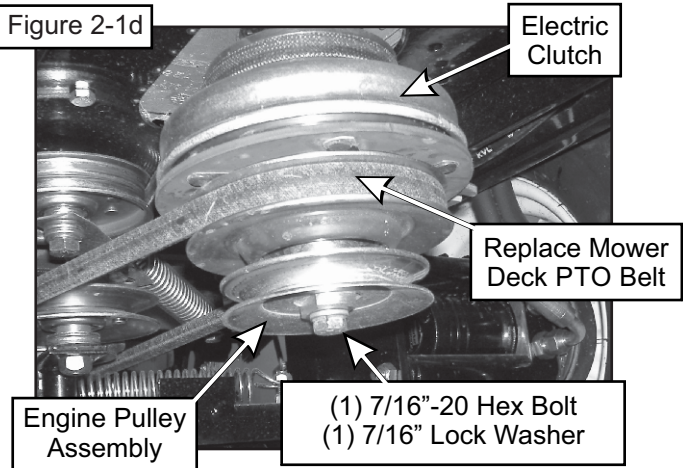
Figure 2-1c



The engine pulley assembly must be installed using an arbor press or equivalent. During installation, opposite bearing inner race must be supported or bearing damage may occur. Refer to Figure 2-1c.

Upon pressing the engine pulley to the clutch, replace the completed assembly to the mower's engine shaft to fasten.

Figure 2-1d



27HP Generac & 29HP Kohler

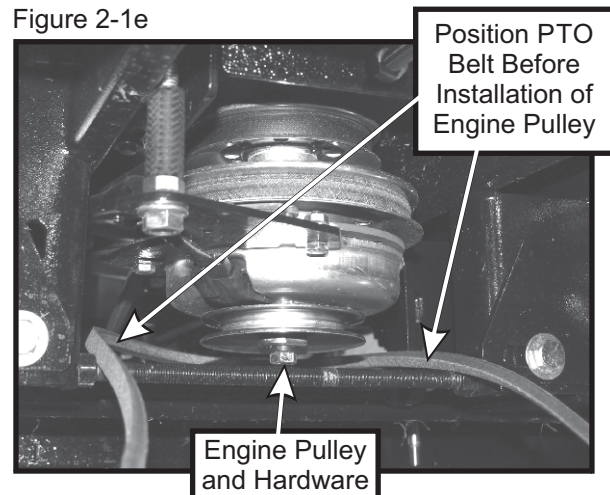
Fasten engine pulley assembly number 18 P#(A1109) to the electric clutch using (1) 7/16"-20 x 4" HHCS P#(K0359) and (1) 7/16" helical spring lock washer P#(K0140).

33HP Generac

Fasten engine pulley assembly number 23 P#(A1175) to the electric clutch using (1) 7/16"-20 x 3-3/4" HHCS P#(K0350) and (1) 7/16" helical spring lock washer P#(K0140). Torque the bolt to 55ft./lbs. Refer to Figure 2-1d for reference.

NOTE: On Classic and Xcaliber models, the PTO belt included in the hardware bag must be positioned behind the clutch before the engine pulley is installed. Refer to Figure 2-1e.

Figure 2-1e



2-2 PTO Mount Plate Assembly

Installation

Position the PTO mount plate assembly P#(A1871) on the right rear frame of the mower as shown in Figure 2-2a. Secure the PTO mount plate assembly R.O.P.S. using (1) 3/8"-16 x 2-1/8" x 2-5/8" P#(K1119) and (2) 3/8"-16 nylon flange lock nuts P#(K2038). Secure the PTO mount plate assembly to the rear frame of the mower using (2) 3/8"-16 x 1" x 1" u-bolt P#(K1118) and (4) 3/8"-16 nylon flange locknuts P#(K2038).

Figure 2-2a

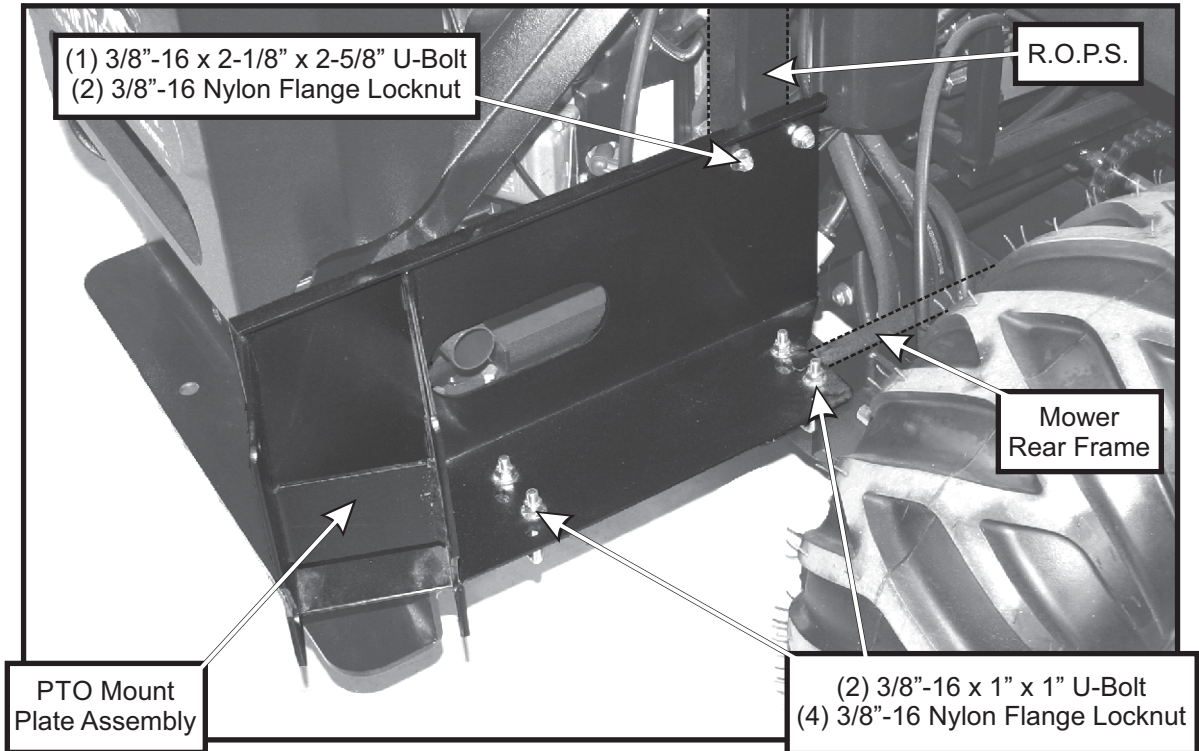
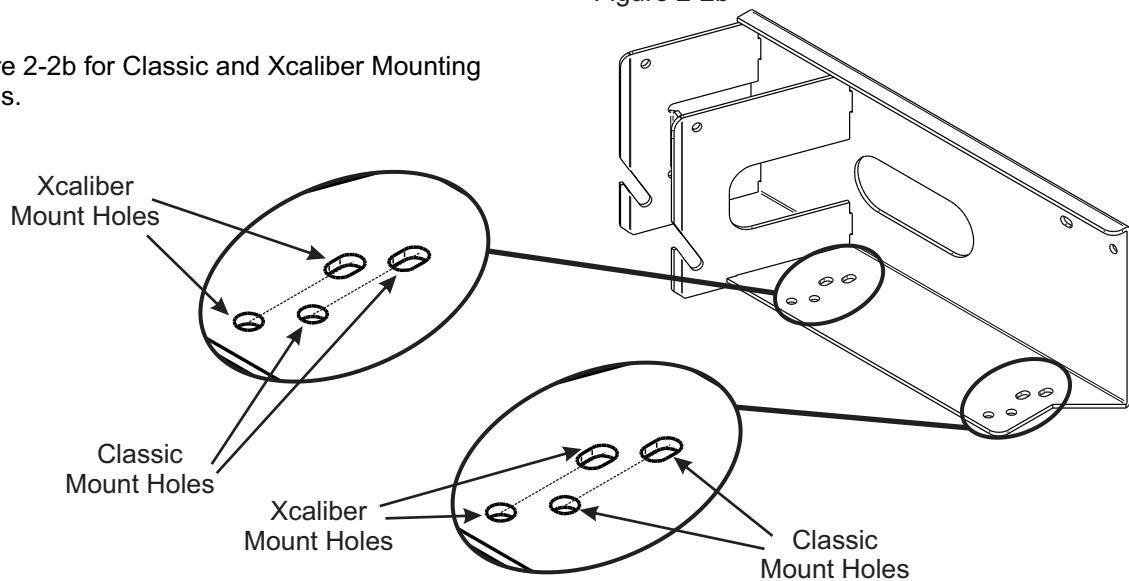


Figure 2-2b

Refer to Figure 2-2b for Classic and Xcaliber Mounting Hole Locations.



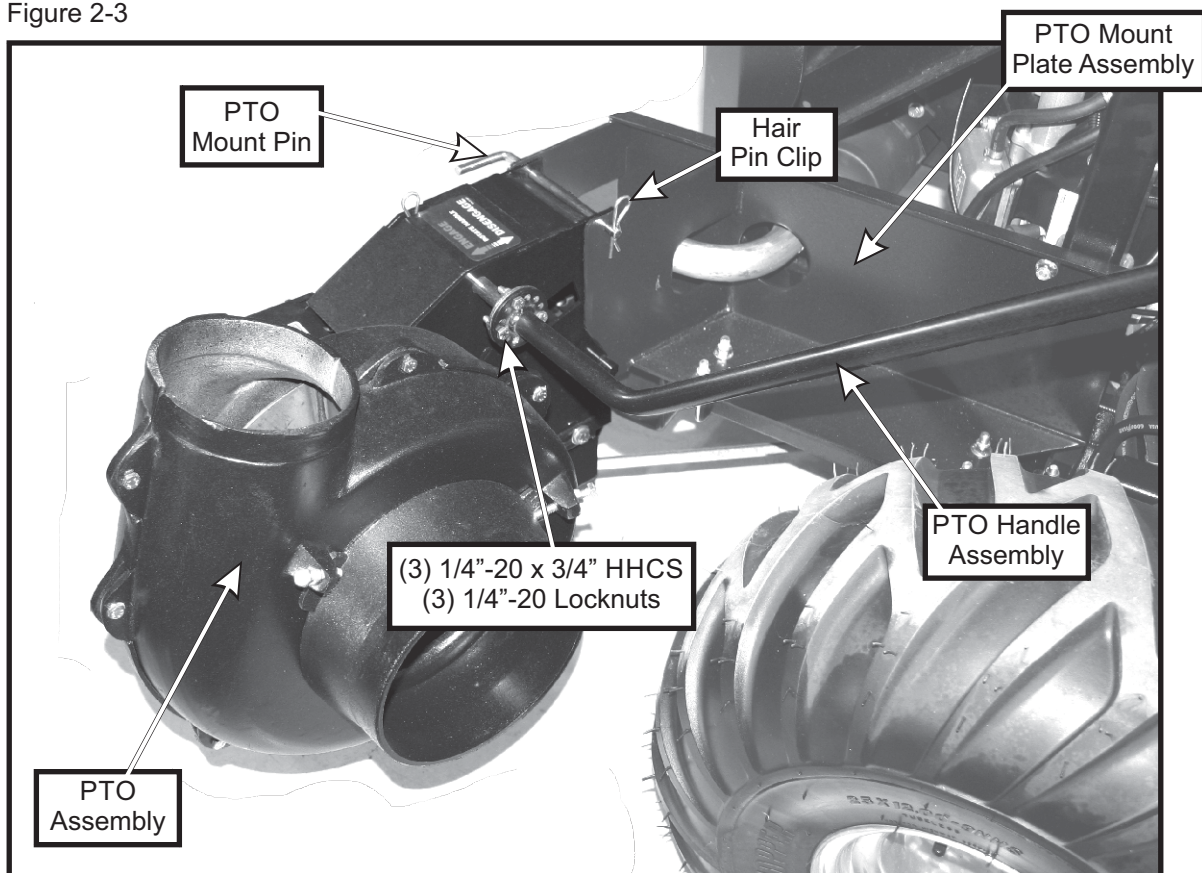
2-3 PTO Assembly Installation

Insert the PTO assembly P#(A1623) into the mounting slots on the PTO mount plate assembly. Secure the PTO assembly with (1) PTO mount pin P#(B0274) and (1) hair pin clip P#(K0086). Refer to Figure 2-3.

Attach the PTO handle assembly P#(A1142) to the PTO assembly using (3) 1/4"-20 x 3/4" HHCS and P#(K1222) (3) 1/4"-20 nylon flange locknuts P#(K2014). Refer to Figure 2-3.

NOTE: Remove the PTO belt guard and hardware, in preparation for the belt installation.

Figure 2-3



2-4 Belt Installation and Adjustment

Loosen the (4) bolts P#(K1191), (2) on each side, that secure the gear box assembly to the PTO assembly P#(A1803) (Figure 2-4a and 2-4b).

Figure 2-4a

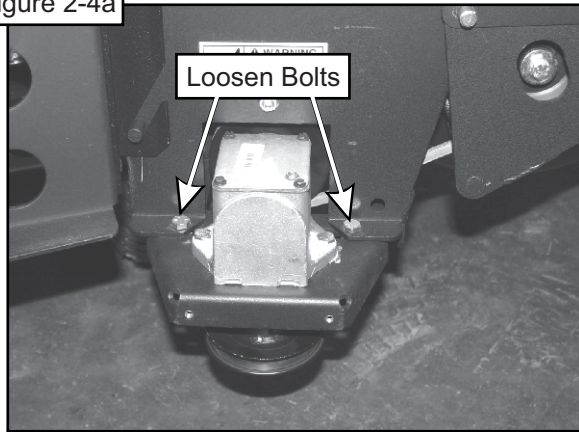
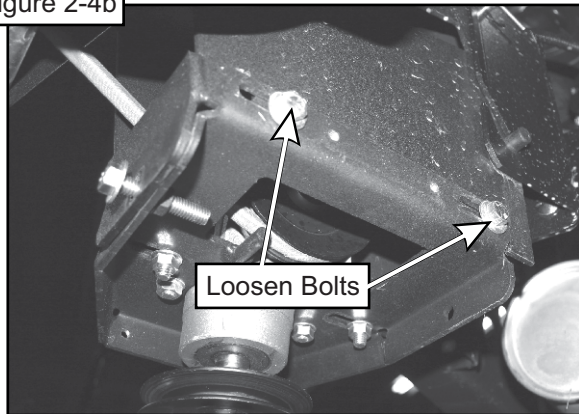
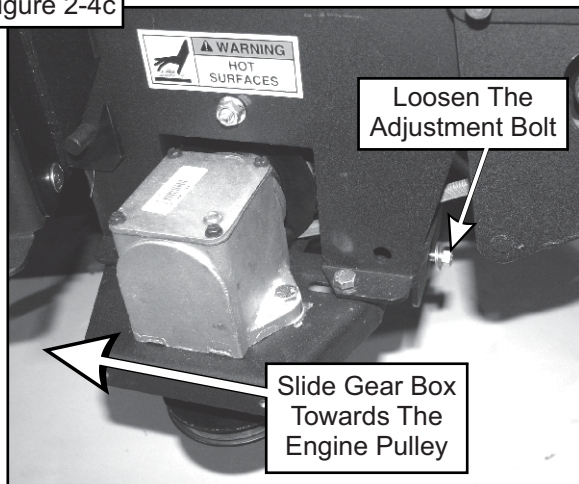


Figure 2-4b



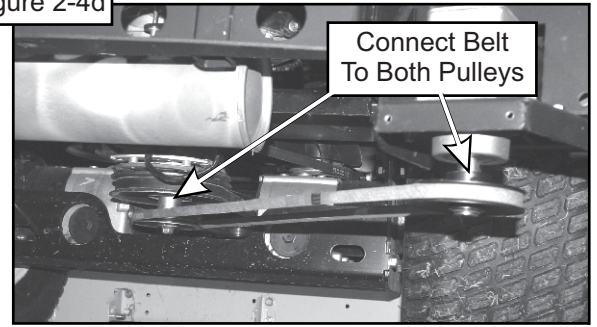
Loosen the adjustment bolt P#(K0348) until the gear box assembly is at its far left adjustment (the gear box is moved toward the mower's engine pulley). Refer to Figure 2-4c.

Figure 2-4c



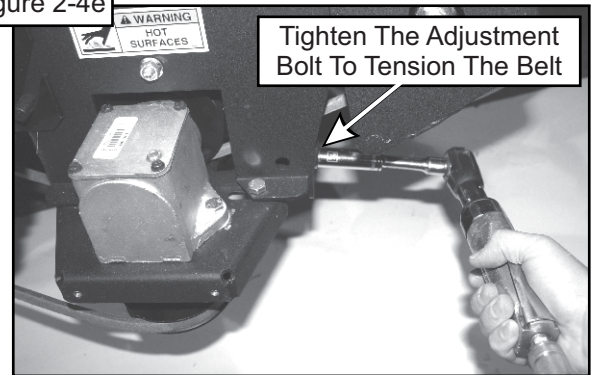
Connect the kevlar cord belt 78" P#(M0274) from the engine pulley to the lower gear box pulley (Figure 2-4d).

Figure 2-4d



To tension the drive belt, turn the adjustment bolt clockwise (Figure 2-4e) until there is 1" of deflection, with 10-11 lbs. of pressure, at the center of the belt between the engine pulley and the gear box pulley.

Figure 2-4e



Once the correct tension of the belt is achieved, tighten the (4) bolts that secure the gear box assembly. Refer to Figures 2-4f and 2-4g. Replace the belt guard and hardware that was removed in Section 2-3.

Figure 2-4f

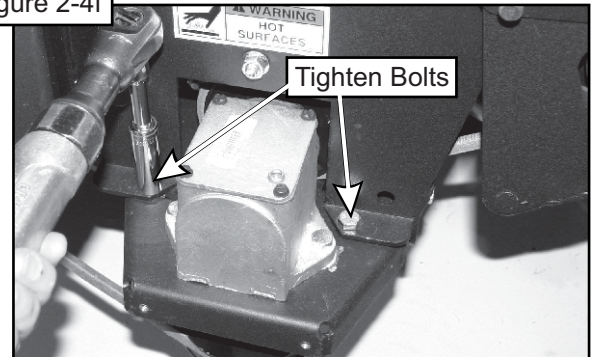
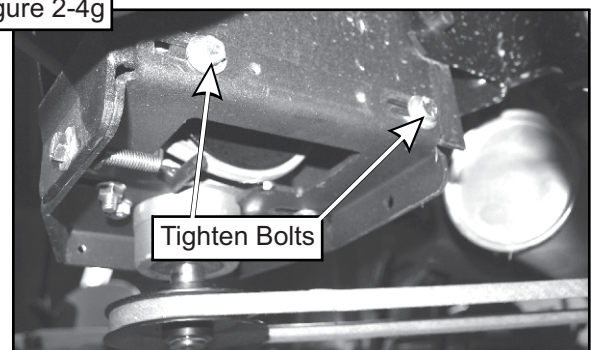


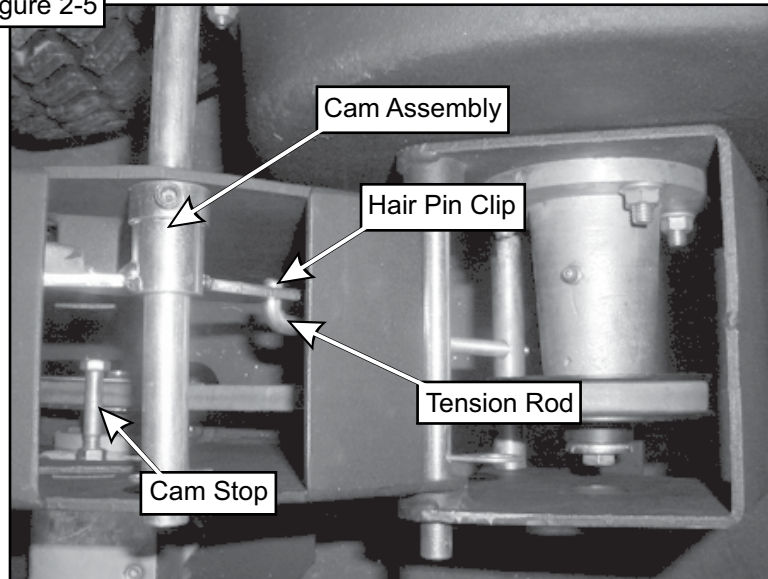
Figure 2-4g



2-5 Cam Assembly Adjustment

The cam assembly P#(A0422), which controls the blower belt tension, comes from the factory pre-adjusted. If the belt is too tight or becomes too loose, remove the hair pin clip P#(K0099) from the belt tension rod P#(K0326) and pull the "L" end of the rod out of its hole in the cam assembly. The tension rod may then be screwed out to tighten the belt or screwed in to loosen the belt. Replace the "L" end into the top hole in the cam and replace the hair pin clip. Adjust the cam stop bolt P#(K1159) to allow the cam to rotate slightly over center when the blower is disengaged (Figure 2-5).

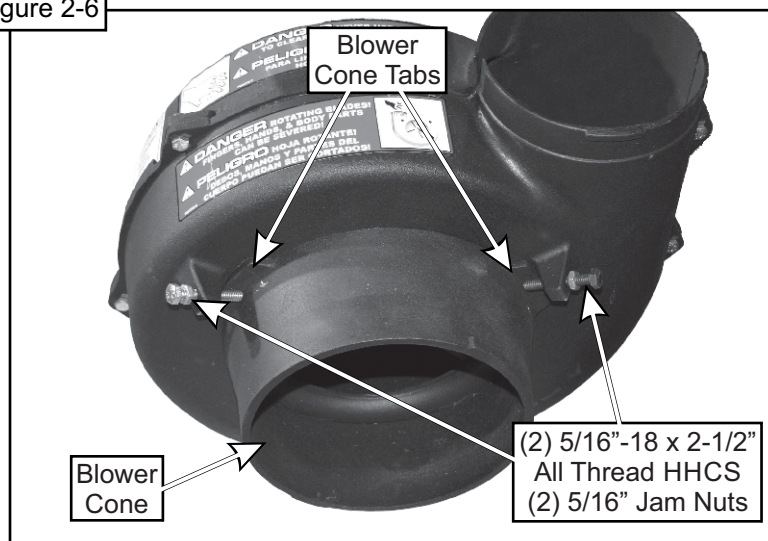
Figure 2-5



2-6 Blower Cone Installation

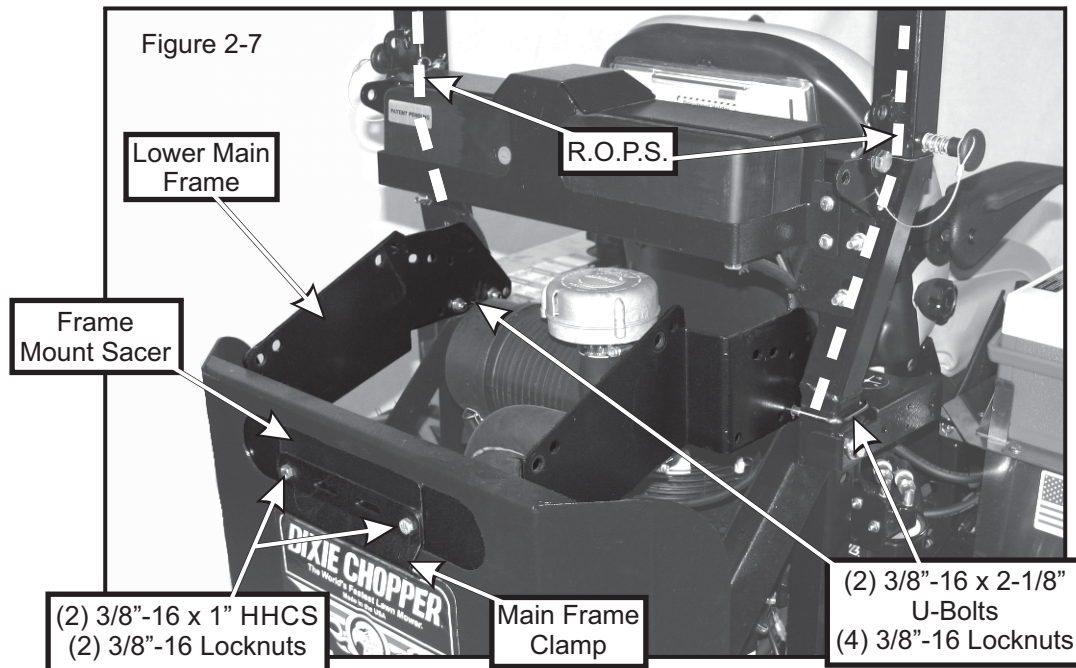
Thread (1) 5/16"-18 jam nut P#(K0120) onto each end of (2) 5/16"-18 x 2-1/2" HHCS P#(K0125). Now partially thread the bolts into each of the two tabs located on the blower housing. Place blower cone so the two tabs line up with the bolts then tighten completely. See Figure 2-6.

Figure 2-6



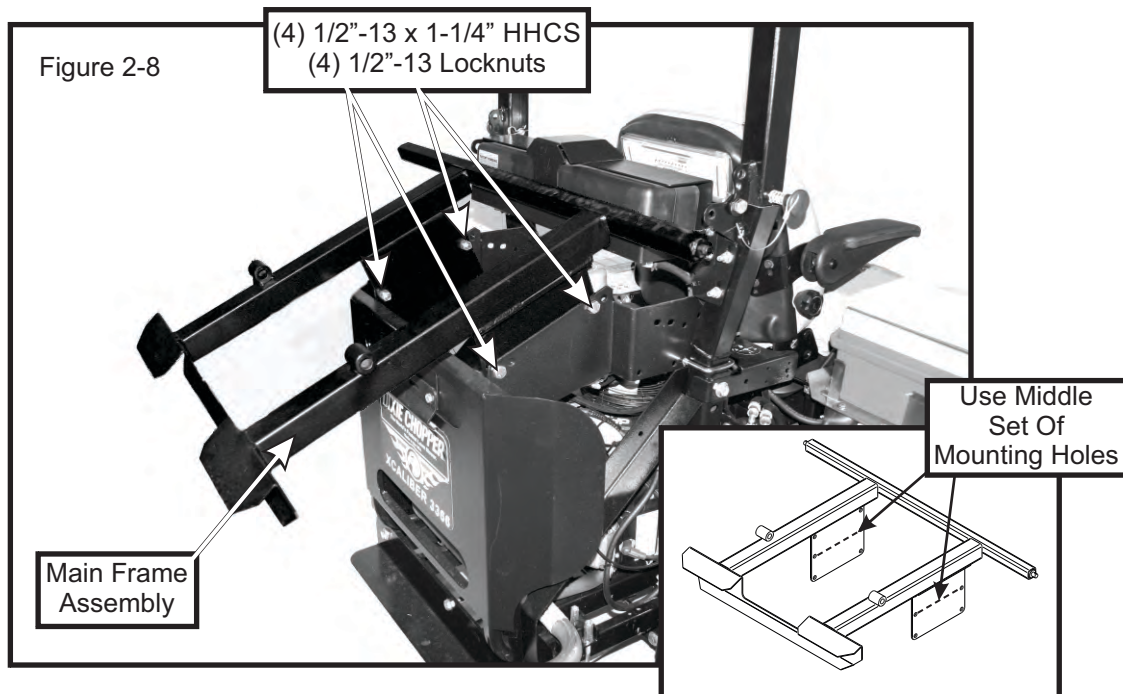
2-7 Lower Main Frame Installation

Secure the lower main frame P#(B0567) to the R.O.P.S using (2) 3/8"-16 x 2-1/8" u-bolts P#(K1119) and (4) 3/8"-16 nylon flange locknuts P#(K2038) as shown in Figure 2-7. Secure the lower main frame to the rear frame of the mower using (2) 3/8"-16 x 1" HHCS P#(K1191), (2) 3/8"-16 nylon flange locknuts P#(K2038), (1) main frame clamp P#(B0302) and (1) frame mount spacer P#(B0777) as shown in Figure 2-7.



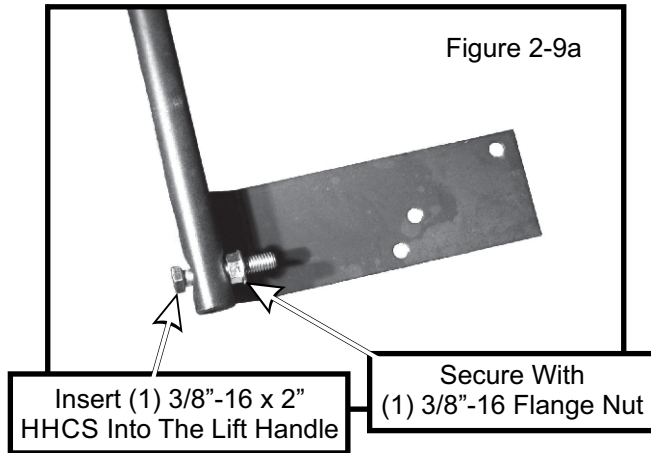
2-8 Main Frame Assembly Installation

Attach the main frame assembly P#(A1097) to the lower main frame P#(B0567) using (4) 1/2"-13 x 1-1/4" HHCS P#(K1232) and (4) 1/2"-13 nylon flange locknut P#(K2012). Use the middle set of mounting holes on the main frame assembly, to allow clearance for the air cleaner. Refer to Figure 2-8.

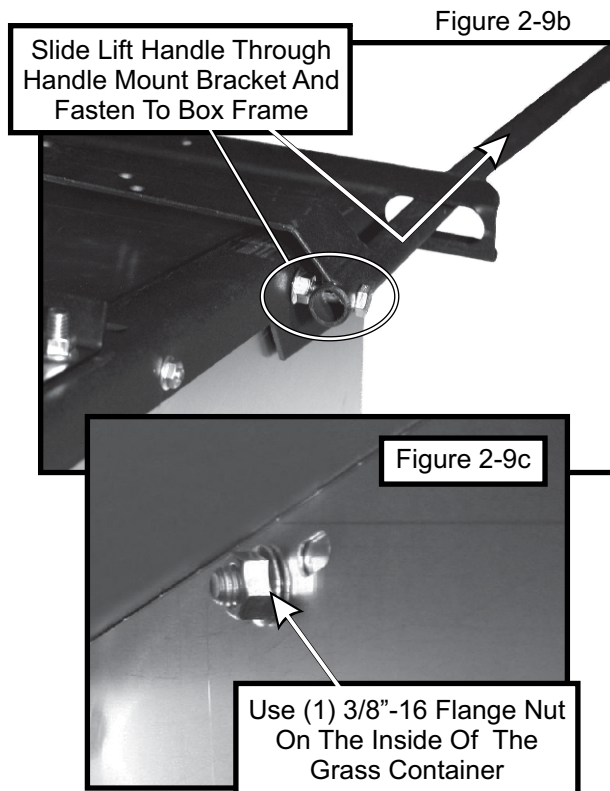


2-9 Lift Handle Installation

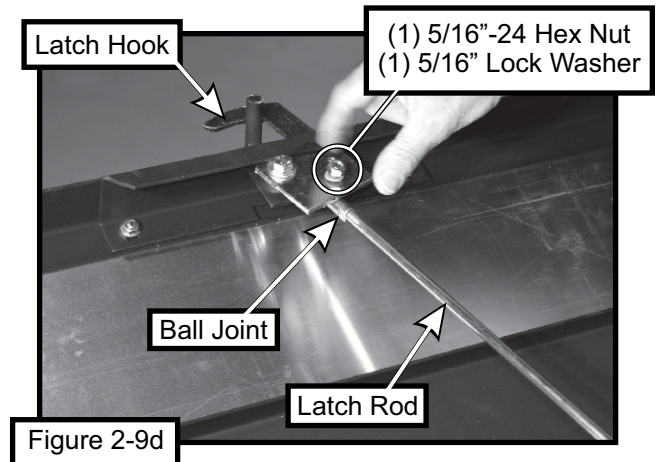
NOTE: Before continuing the lift handle installation, have someone assist you in turning the grass container upside down. Insert (1) 3/8"-16 x 2" HHCS P#(K1208) into the lift handle P#(A0273), and secure with (1) 3/8"-16 flange nut P#(K1215). Thread the flange nut onto the bolt upside down, as shown in Figure 2-9a.



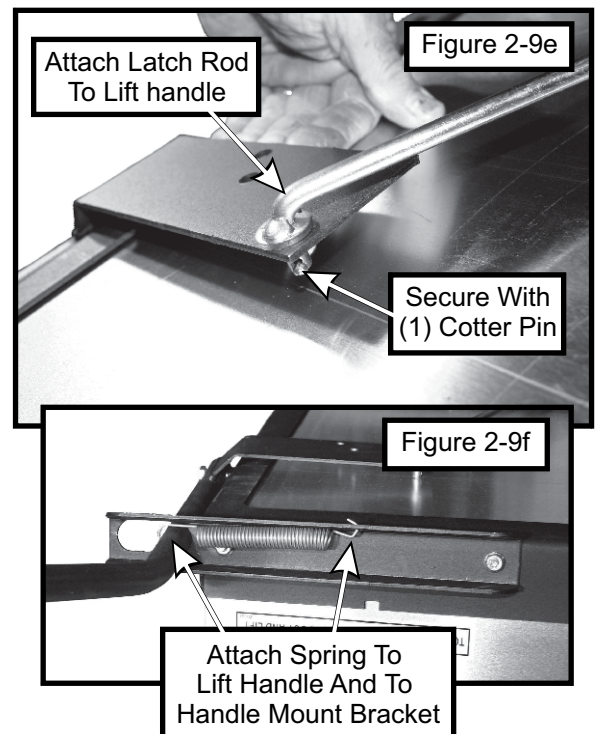
Slide the lift handle through the slot on the handle mount bracket. Insert the lift handle into the box frame as shown in Figure 2-9b, and secure using (1) 3/8"-16 flange nut P#(K1215) on the inside of the container as shown in Figure 2-9c.



Fasten the ball joint P#(K1442) to the end of the latch rod P#(A0620). Tighten the ball joint to approximately half way down the threads on the latch rod. Attach the ball joint to the latch hook as shown in Figure 2-9d, using (1) 5/16"-24 hex nut P#(K1444) and (1) 5/16" lock washer P#(K0043).



Attach the other end of the latch rod to the lift handle, as shown in Figure 2-9e. Attach on end of the spring P#(J0176) to the lift handle and the other end of the spring to the handle mount bracket as shown in Figure 2-9f. Adjust the ball joint up or down on the latch rod threads until the latch hook closes completely. After adjusting the latch hook, secure the latch rod to the lift handle using (1) cotter pin P#(K0094).

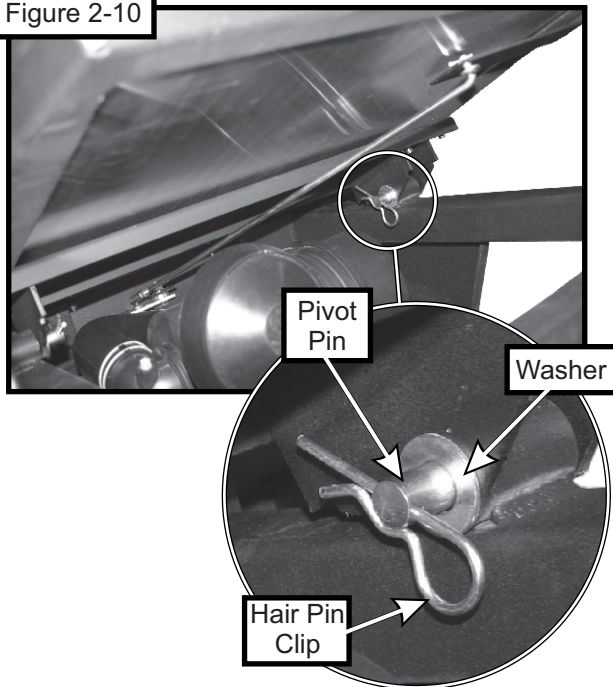


2-10 Aluminum Grass Container

Installation

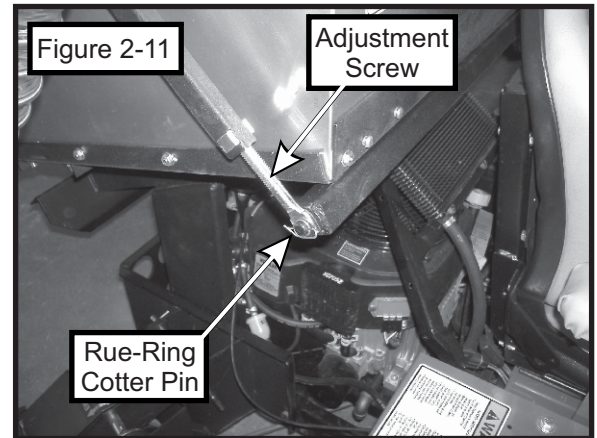
NOTE: It is recommended that (3) people assist in mounting the container. With three people available, two can lower the container onto the frame while the third person inserts the pivot pins P#(K0172) through the holes. Insert the pins from the outside to the inside. Secure with (1) 5/8" washer P#(K0058) and (1) 5/32" x 2-5/8" hair pin clip P#(K0088) per pivot pin (Figure 2-10). Reattach the bottom ends of the door opening linkages to the main frame by using (1) Rue-Ring cotter pin P#(K1437) per side. To test the functionality of the dump mechanism, pull the lift handle away from the unit, and lift upward. The door of the container should open and the box should pivot clockwise towards the ground.

Figure 2-10

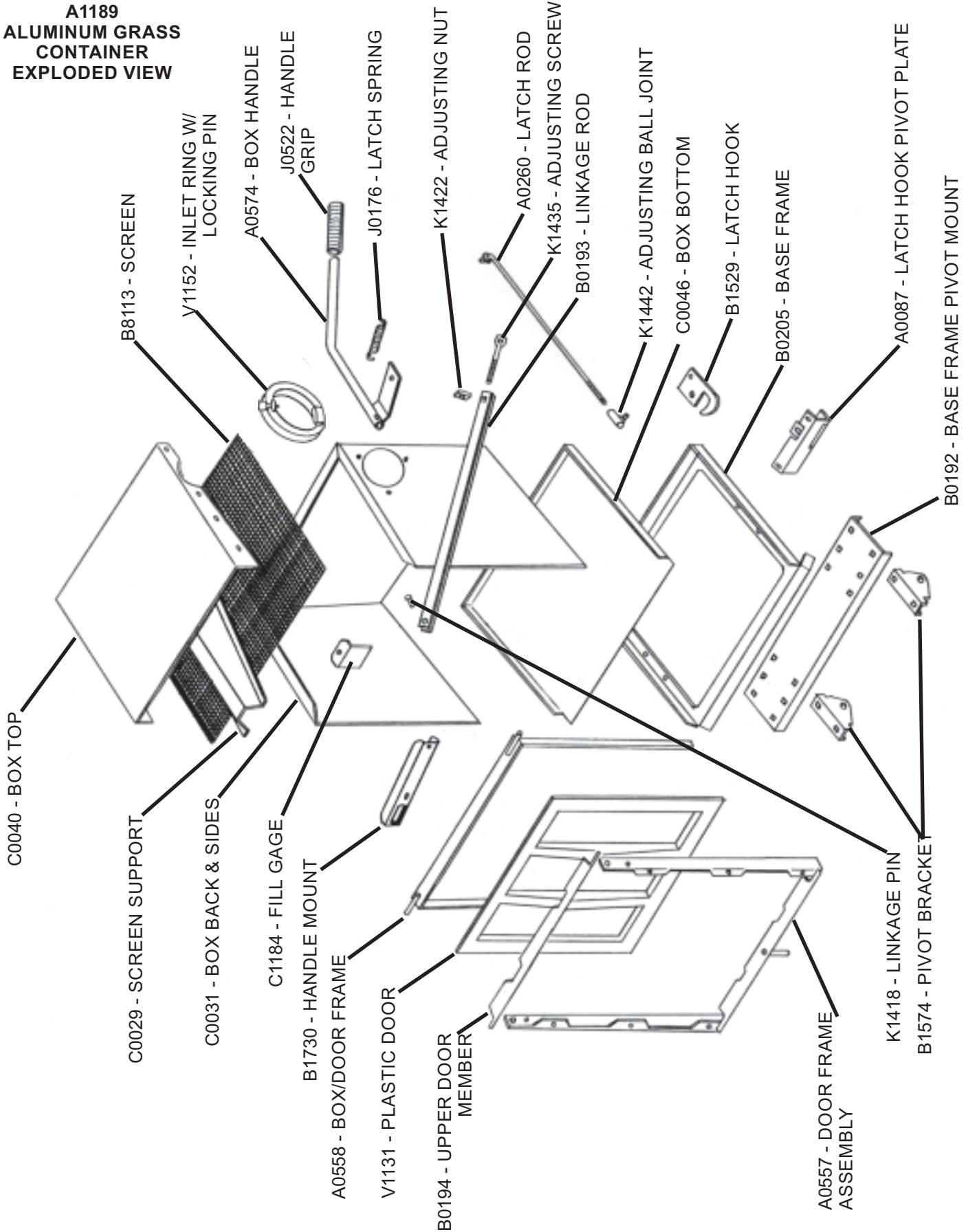


2-11 Dump Mechanism Adjustment

The linkage may be adjusted in two places, at the adjusting screw P#(K1435) and the latch assembly items. See page 14 for visual clarification. To change the door closure tightness, screw the adjusting screw (Figure 2-11) in or out. To adjust the latch, change the length of the latch rod by screwing the latch adjusting ball joint in or out. The latch hook pivot should be in the middle of the slot in the latch hook pivot plate. Slide the pivot back or forth and then re-tighten.



**A1189
ALUMINUM GRASS
CONTAINER
EXPLODED VIEW**



2-12 Boot To Mower Deck Installation

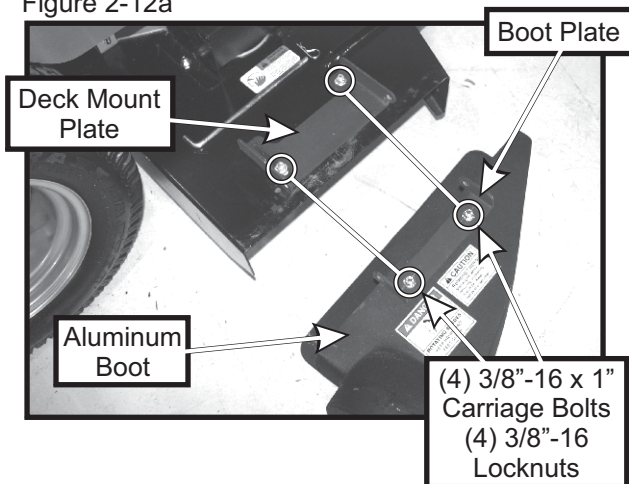
NOTE: Remove all grass deflector and/or mulching hardware from the mower deck before proceeding.

Classic 50" & 60" Models

Position the boot plate P#(B0775) onto the top of the aluminum boot P#(E0023) as shown in Figure 2-12a. Secure the boot plate to the boot using (2) 3/8"-16 x 1" carriage bolts P#(K1182) and (2) 3/8"-16 nylon flange locknuts P#(K2038). Insert the bolts from the inside of the boot so that the lock nuts are on top of the boot plate. This will prevent grass clipping from collecting on the bolt threads. Position the deck mount plate onto the top of the mower deck as shown in Figure 2-12a. Secure the deck mount plate to the mower deck using (2) 3/8"-16 x 1" carriage bolts P#(K1182) and (2) 3/8"-16 nylon flange locknuts P#(K2038). Insert the bolts from the underside of the mower deck.

NOTE: Do not tighten hardware until boot has been installed to mower deck.

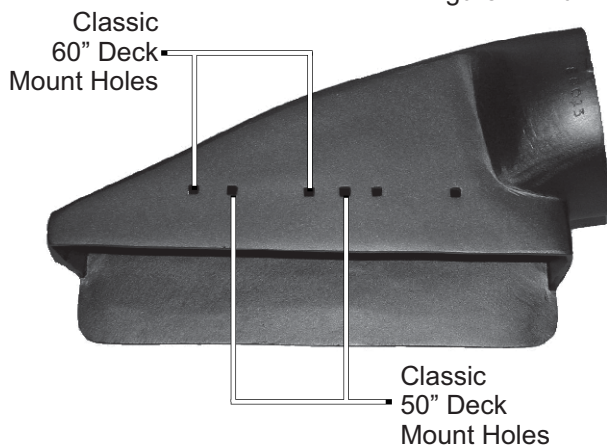
Figure 2-12a



Classic Boot Plate Mounting Locations

Refer to Figure 2-12b for Classic boot plate mounting

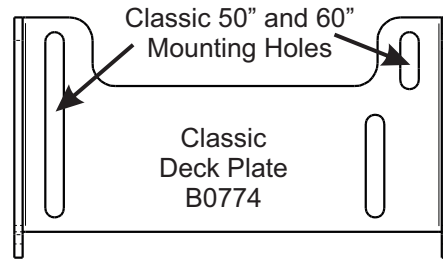
Figure 2-12b



Classic Deck Plate Mounting Locations

Refer to Figure 2-12c for Classic deck plate mounting locations.

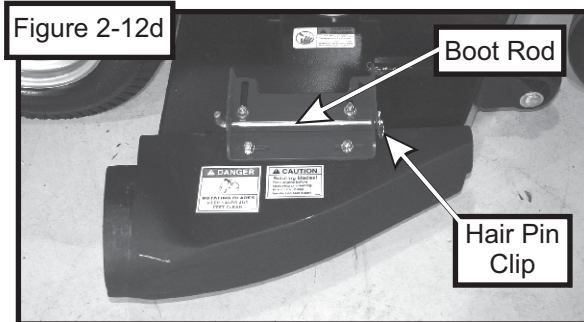
Figure 2-12c



Align the holes in the boot plate with the holes in the deck mount plate. Insert the boot rod P#(B0333) into the mounting holes and secure with (1) hair pin clip P#(K0099). Refer to Figure 2-12d.

With all the carriage bolts still finger tight, use the slots in the deck mount plate and the boot plate to position the boot so that the front inside corner of the boot is flush to the front outside edge of the mower deck. Also check for clearance between the mowers blade and the bottom edge of the boot. Once the boot is positioned correctly, tighten all the hardware.

Figure 2-12d



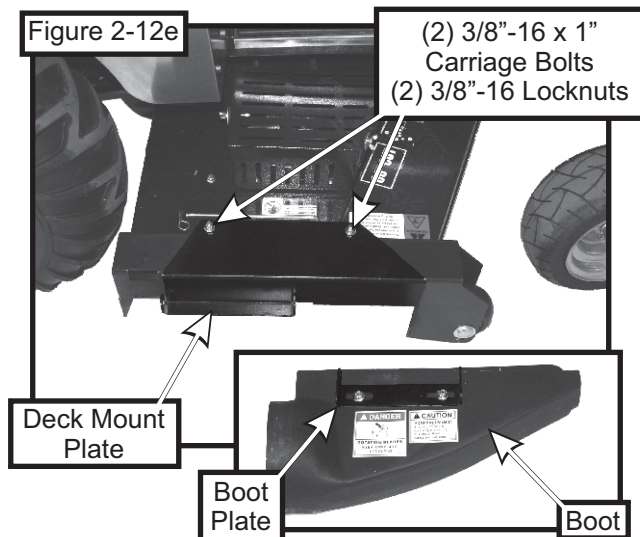
2-12 Boot To Mower Deck Installation Continued

NOTE: Remove all grass deflector and/or mulching hardware from the mower deck before proceeding.

Xcaliber 66" Models

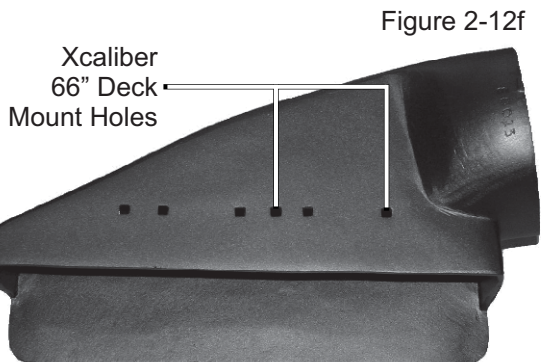
Position the boot plate P#(B0783) onto the top of the aluminum boot P#(E0023) as shown in Figure 2-12e. Secure the boot plate to the boot using (2) 3/8"-16 x 1" carriage bolts P#(K1182) and (2) 3/8"-16 nylon flange locknuts P#(K2038). Insert the bolts from the inside of the boot so that the lock nuts are on top of the boot plate. This will prevent grass clipping from collecting on the bolt threads. Position the deck mount plate P#(B0776) onto the top of the mower deck as shown in Figure 2-13e. Secure the deck mount plate to the mower deck using (2) 3/8"-16 x 1" carriage bolts P#(K1182) and (2) 3/8"-16 nylon flange locknuts P#(K2038). Insert the bolts from the underside of the mower deck.

NOTE: Do not tighten hardware until boot has been installed to mower deck.



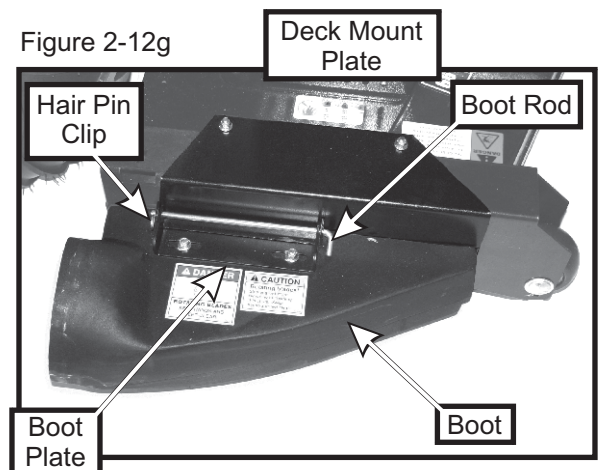
Xcaliber Boot Plate Mounting Locations

Refer to Figure 2-12f for Xcaliber boot plate mounting locations.



Align the holes in the boot plate with the holes in the deck mount plate. Insert the boot rod P#(B0333) into the mounting holes and secure with (1) hair pin clip P#(K0099). Refer to Figure 2-12g.

With all the carriage bolts still finger tight, use the slots in the deck mount plate and the boot plate to position the boot so that the front inside corner of the boot is flush to the front outside edge of the mower deck. Also check for clearance between the mowers blade and the bottom edge of the boot. Once the boot is positioned correctly, tighten all the hardware.



2-13 Length Of Hose Adjustment

The hoses in steps 2-14 and 2-15 must be cut to fit your machine. Follow steps 2-14 and 2-15. do not cut the hoses until you have tried to fit them on your machine. Remember that the hoses have to be long enough to adjust for the blower assembly's movement as well as allow for enough clamping surface between the inlet, blower assembly, and the deck boot.

2-14 Upper Hose Installation

Slide a pre-assembled hose clamp P#(J0060) onto both ends of the 6" upper hose (Figure 2-16). Then slide one end of the 6" hose onto the plastic inlet P#(V1054) on the right side of the aluminum box assembly. Make sure there is about a two-inch overlap between the hose end and plastic inlet. Secure the hose ring with the locking pin. Proceed to slide the opposite end of the 6" hose onto the outlet of the blower assembly. See (Figure 2-16) for details. Make sure both ends of the hose are clearly attached to the inlet and the blower assembly inlet. Tighten the hose clamps.

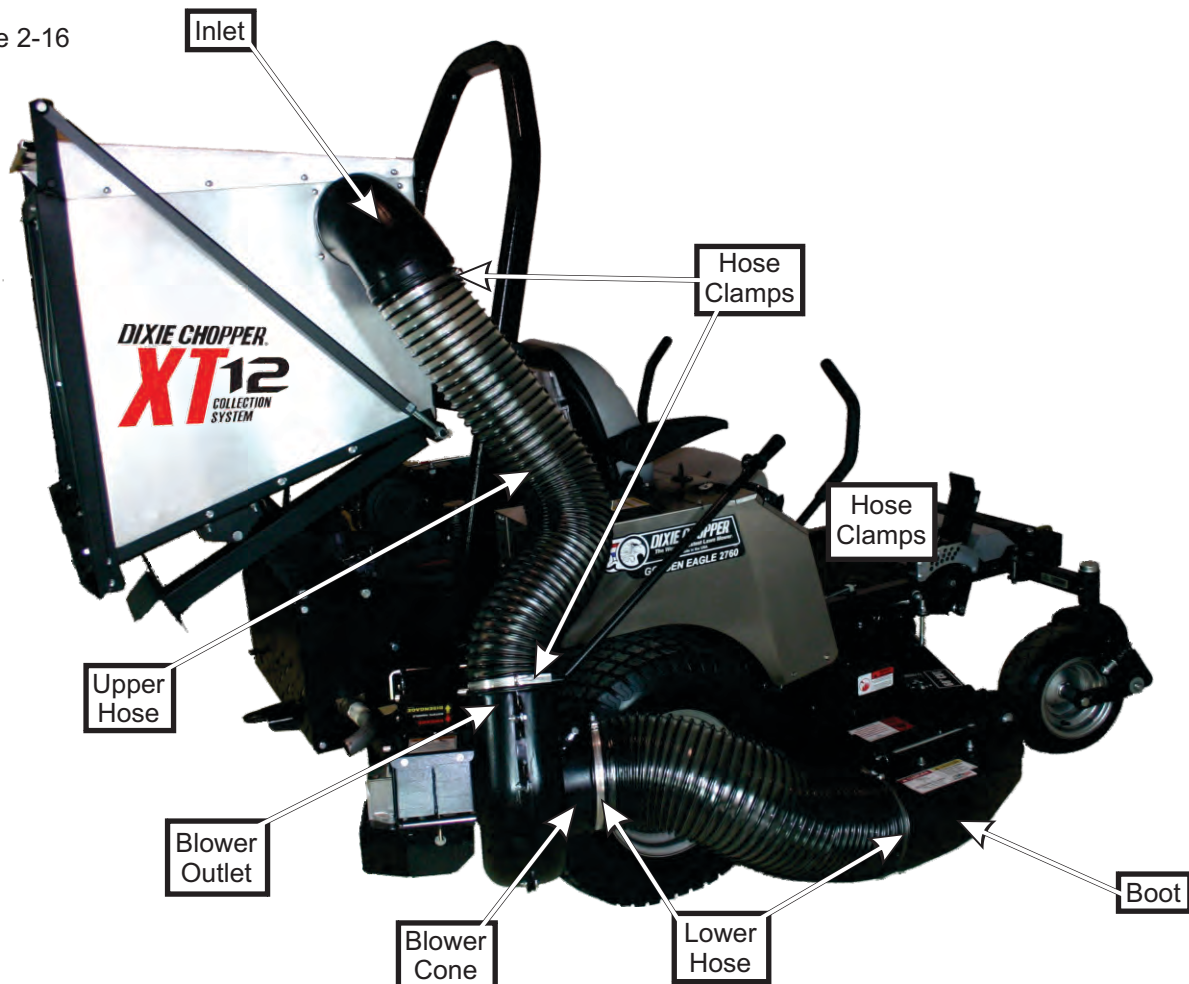
2-15 Lower Hose To Blower Cone Installation

Slide a pre-assembled hose clamp P#(J0080) over both ends of the lower hose. Then proceed to slide the lower hose onto the blower cone. Tighten the hose clamp. The assembly should look like Figure 2-16.

2-16 Lower Hose To Boot Installation

Take the unattached end of the lower hose and slide it over the circular end of the boot. Use the lower hose clamp to secure the hose to the boot (Figure 2-16). Tip: Before securing clamp rotate hose counter-clockwise (away from yourself) approximately 1" to aid in retaining boot to mower deck.

Figure 2-16



2-17 Impeller Blade Removal/Replacement

To gain impeller blade (#1) access, first remove the blower cone (#2) from the blower housing, located on the PTO assembly P#(A1821), by removing two blower cone bolts and nuts (#3). Next, remove the blower housing front (#4) by removing seven bolts and nuts (#5) around the outer housing edge. Refer to Figure 2-17.

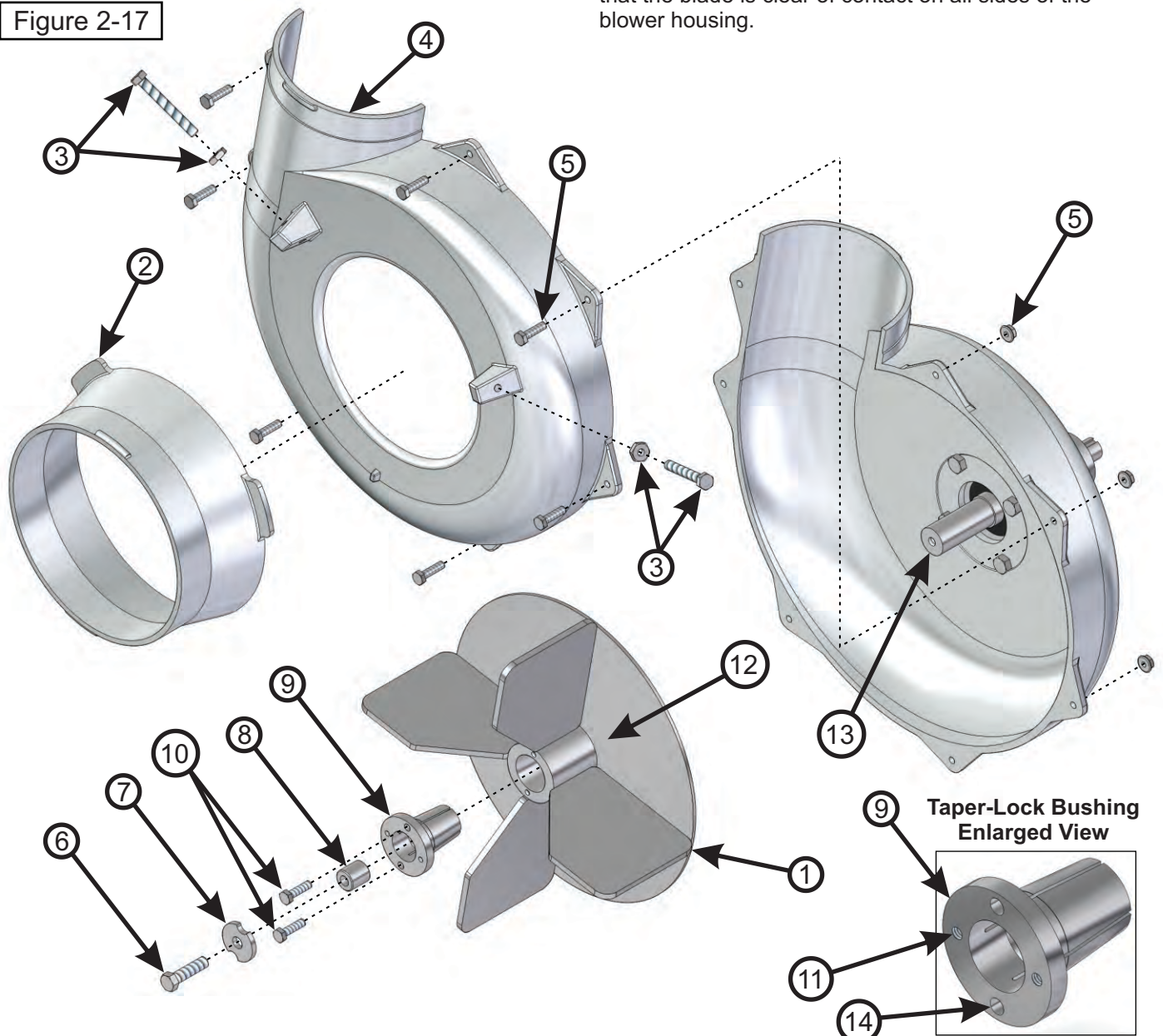
To Remove: First, remove one 3/8"-16 x 1-1/2" HHCS P#(K1211) (#6), one taper-lock bushing washer P#(K0278) (#7) and one spacer bushing P#(S3242) (#8) from the taper-lock bushing (#9). See Figure 2-17. Next, remove two 1/4"-20 x 1" HHCS (#10) and place them into the threaded holes (#11) of the taper-lock bushing P#(S4302). Last, gradually thread each bolt evenly into the taper-lock bushing, forcing the blade to break-away from the taper-lock bushing.

Tips on removing impeller blade;

- 1 - Try carefully hitting the base of the impeller blade (#1), between each vein (#12), with a rubber mallet to loosen the taper-lock bushing hold.
- 2 - Spray break-free lubricant into the surrounding areas of the taper-lock bushing (#9) and repeat Tip 1.

To Replace: First, place the impeller blade (#1) over the drive shaft (#13). Next, slide the taper-lock bushing (#9) on to the drive shaft and into the impeller blade, aligning the **non-threaded** holes (#14) of the taper-lock bushing to the threaded holes of the impeller blade. Then, fasten by using two 1/4"-20 x 1" HHCS (#10), one spacer bushing (#8) one taper lock bushing washer (#7), and one 3/8"-16 x 1-1/2" HHCS (#6). Torque all bolts to the specifications located in the chart towards the back of this manual. Last, rotate the impeller blade to ensure that the blade is clear of contact on all sides of the blower housing.

Figure 2-17



2-18 Weight Kit Installation

NOTE: It is recommended that someone assist you in the weight kit installation procedure.

Remove the front bumper and hardware from the mower frame. Attach the left weight bracket P#(B0383L) and right weight bracket P#(B0383R) to the front frame of the mower. Insert each weight bracket onto the frame tube. Secure each weight bracket using (2) 3/8"-16 x 3-1/2" HHCS P#(K1200), (1) 3/8" flat washers P#(K0047) and (2) 3/8"-16 nylon flange lock nuts P#(K2038). The (2) washers are used on the slotted holes on each weight bracket. Leave the hardware finger tight so the position of the weight brackets can be adjusted left or right if necessary.

Using two people, lift the weight bar P#(B2220) into position. Secure the weight bar to the left and right weight brackets using (2) 1/2"-13 x 4-1/4" u-bolts P#(K0331) and (4) 1/2"-13 nylon flange locknuts P#(K0212). Use Figure 2-20b for reference. **NOTE:** Before tightening the u-bolts, make sure the weight bar is centered between the weight brackets. Refer to Figure 2-18a for reference.

Replace the front bumper, adding (2) 1.187 x .380 x .187 flat washers P#(K1446) as spacers to allow clearance for the left and right weight bracket. Tighten all weight kit hardware at this time. Refer to Figure 2-18b for reference.

Figure 2-18a

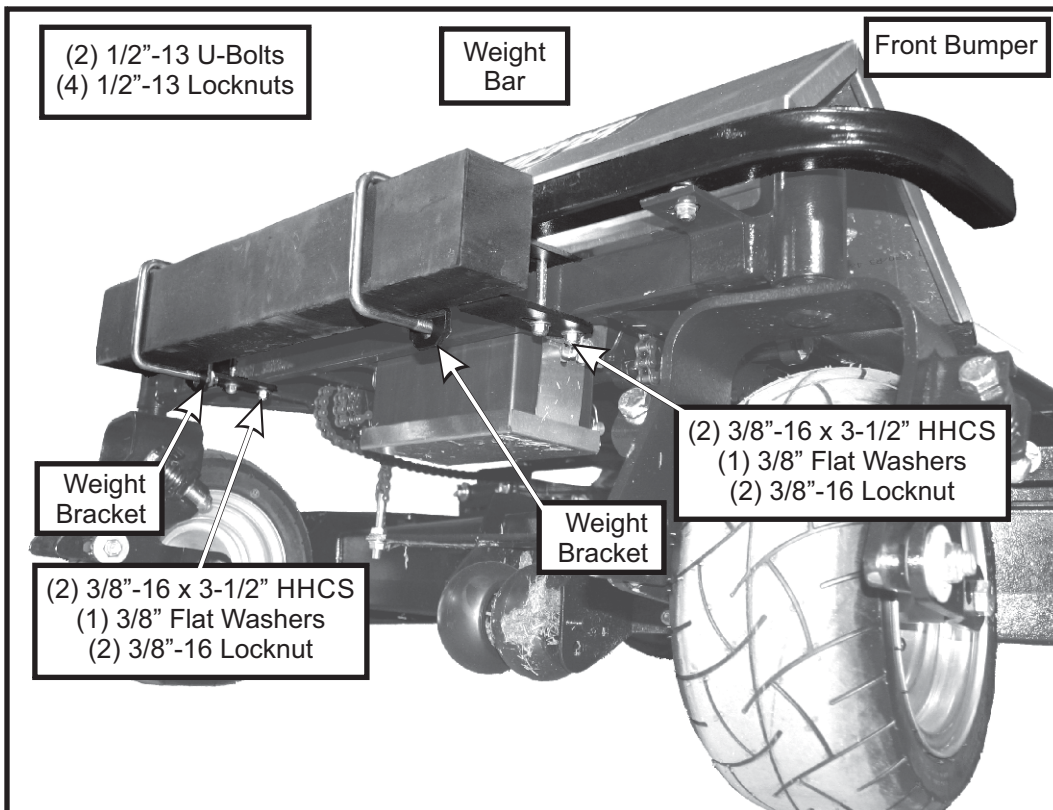
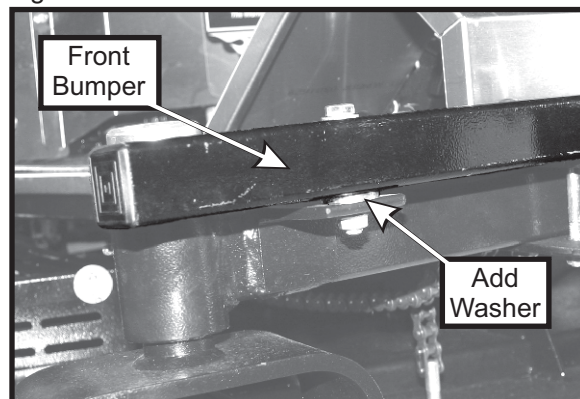
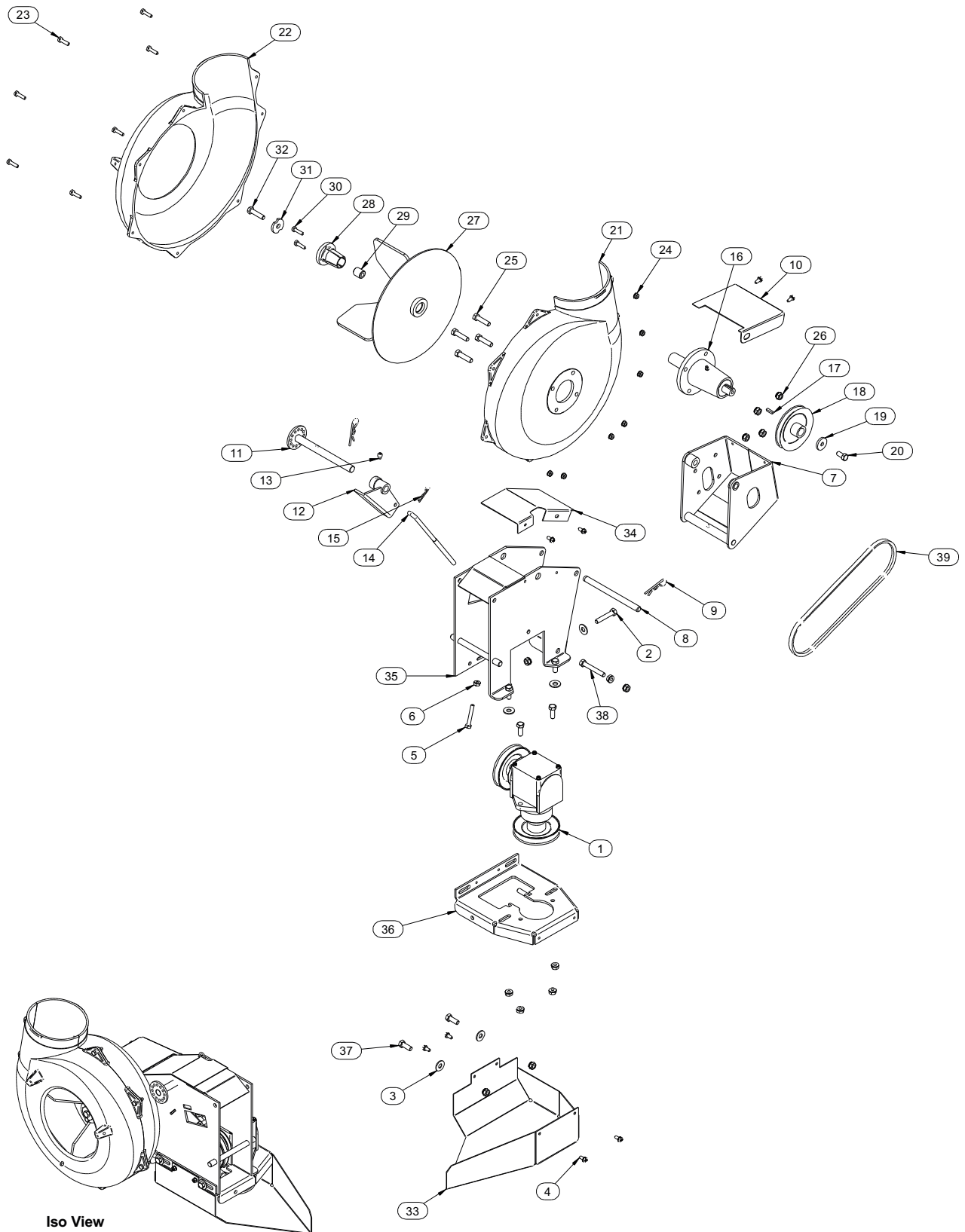


Figure 2-18b



Exploded Parts View

A1623 PTO Assembly



PTO Parts List

A1623 PTO Assembly

| Item # | Part # | Desc. | Qty. |
|--------|--------|---|------|
| | A1623 | PTO ASSEMBLY | |
| 1 | A0429 | GEAR BOX ASSEMBLY | 1 |
| 2 | K0348 | 3/8"-16 x 2" ALL THREAD HHCS | 1 |
| 3 | K0047 | 3/8" Flat Washer 1.00 OD x .446 ID x .075 T | 5 |
| 4 | K0353 | 1/4"-20 x 1/2" HHSTS | 8 |
| 5 | K1159 | 5/16"-18 x 2" ALL THREAD HHCS | 1 |
| 6 | K1178 | 5/16"-18 FLANGE NUT | 1 |
| 7 | A0144 | BLOWER MOUNT BRACKET ASSEMBLY | 1 |
| 8 | B1755 | BLOWER PIVOT ROD | 1 |
| 9 | k0086 | .125 OD x 2.50 HAIR PIN CLIP | 2 |
| 10 | b0121 | BLOWER BELT GUARD | 1 |
| 11 | A0604 | PTO HANDLE MOUNT ASSY | 1 |
| 12 | A0422 | CAM BRACKET ASSEMBLY | 1 |
| 13 | K0356 | 3/8"-16 TAPERED SET SCREW | 1 |
| 14 | k0326 | BELT TENSION ROD 3/8"-16 | 1 |
| 15 | K0130 | .091 OD x 1.625 L HAIR PIN CLIP | 1 |
| 16 | a0306 | PTO SHAFT ASSEMBLY | 1 |
| 17 | J0254 | 3/16" x 3/16" x 3/4" Key | 1 |
| 18 | M0228 | BLOWER PULLEY | 1 |
| 19 | K1446 | 1.187 OD x .380 ID x .187 WASHER | 1 |
| 20 | K1190 | 3/8"-16 x 3/4" HHCS | 1 |
| 21 | E4004B | BLOWER HSG. BACK | 1 |
| 22 | E4004F | BLOWER HSG. FRONT | 1 |
| 23 | K1125 | 1/4"-20 X 1" HHCS | 7 |
| 24 | K1126 | 1/4"-20 FLANGE NUT | 7 |
| 25 | K1193 | 3/8"-16 x 1-1/2" HHCS | 4 |
| 26 | K1215 | 3/8"-16 FLANGE NUT | 12 |
| 27 | A0645 | SMALL 4-BLADE IMPELLER | 1 |
| 28 | S4302 | TAPER-LOCK BUSHING | 1 |
| 29 | S3242 | PLATED BUSHING | 1 |
| 30 | K1225 | 1/4"-20 X 1" HHCS GRADE 8 | 2 |
| 31 | K0278 | TAPER-LOCK BUSHING WASHER | 1 |
| 32 | K1211 | 3/8"-16 x 1-1/2" HHCS GRADE 8 | 1 |
| 33 | B0679 | Large Pulley Guard | 1 |
| 34 | B0270 | PTO ARM GUARD | 1 |
| 35 | A1804 | PTO ARM ASSY. | 1 |
| 36 | A0624 | BASE PLATE ASSY. | 1 |
| 37 | K1191 | 3/8"-16 x 1" HHCS | 6 |
| 38 | K1197 | 3/8"-16 X 2 1/2" HHCS | 1 |
| 39 | M0250 | A30K KEVLAR BELT | 1 |

DIXIE CHOPPER[®]

XT12

COLLECTION SYSTEM

Unit Model #: 38621237

Mower: Dixie Chopper

Owner's Manual: Q0445

Mower Type: Xcaliber 3366

Engine Type: Generac 33HP & Kohler 40HP

Deck Size: 66"

Vac Type: 12 Cu. Ft. Pro 12 DFS

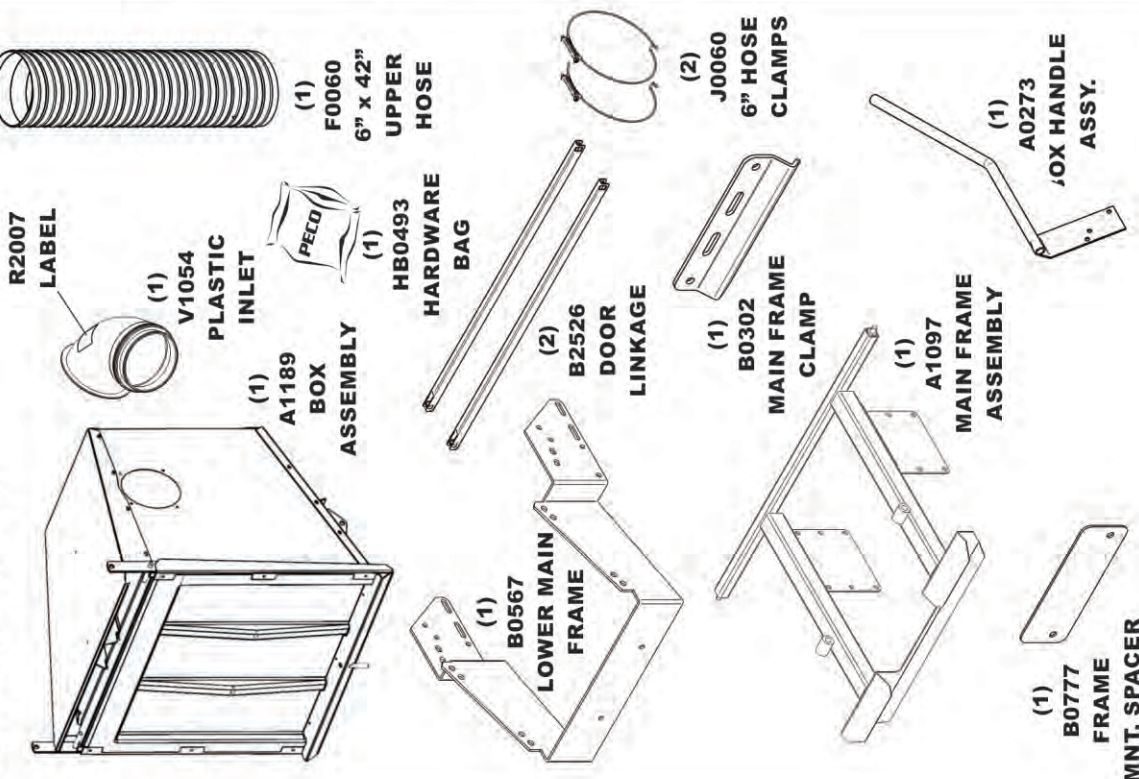
Deck Type:

Drive Type: PTO Drive

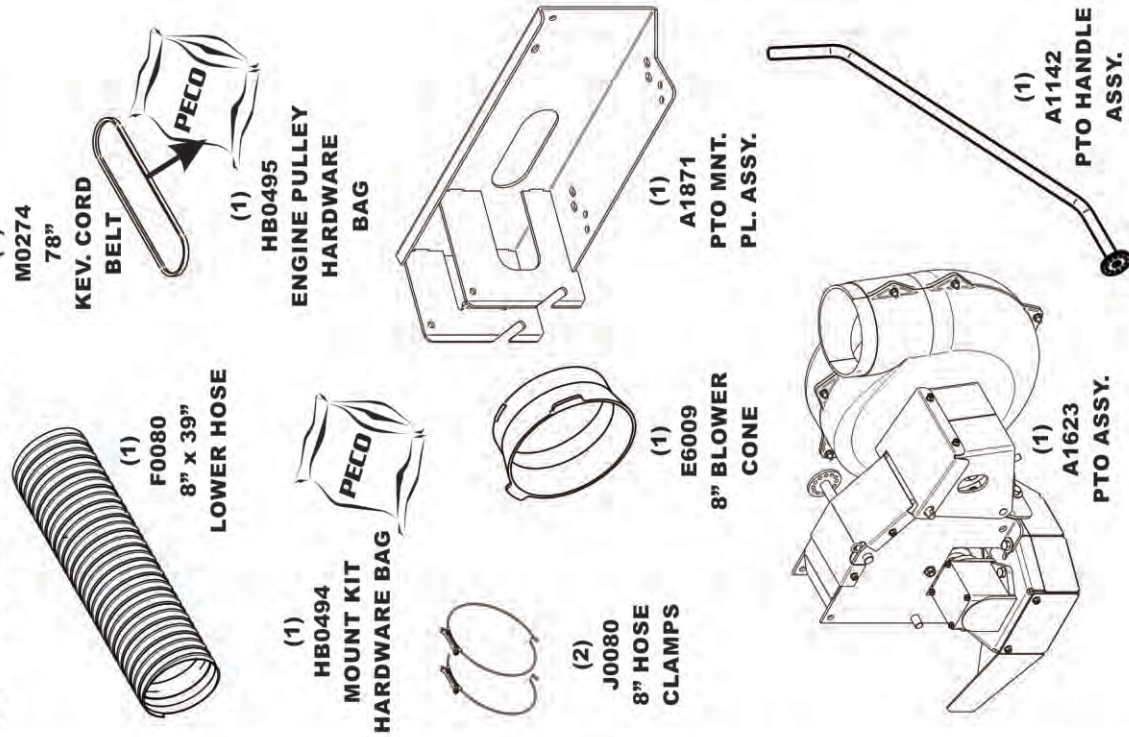
Revision #: Final Release 3/18/2013

Fits Year(s): 2011-2014

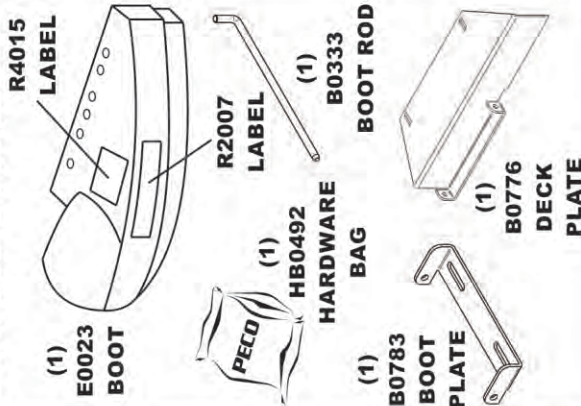
A1881 Vac Kit



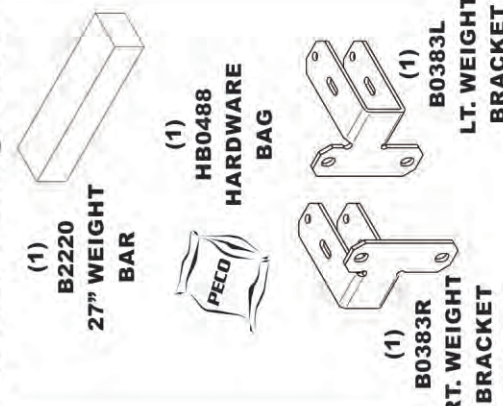
A1882 Mount Kit



A1883 Boot Kit



A1879 Weight Kit



DIXIE CHOPPER[®]

XT12

COLLECTION SYSTEM

Unit Model #: 38621238

Mower: Dixie Chopper

Owner's Manual: Q0445

Mower Type: Classic 2960, & 3360

Engine Type: KH 29HP & GEN 33HP

Deck Size: 50" & 60"

Vac Type: 12 Cu. Ft. Pro 12 DFS

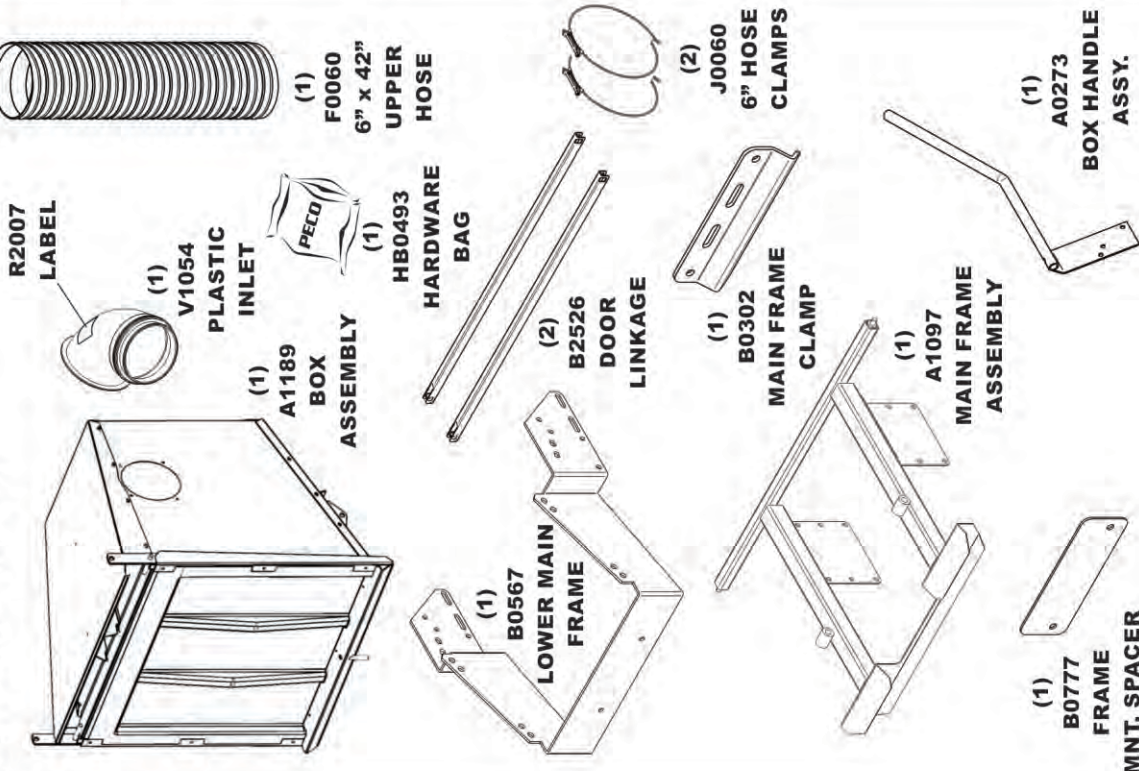
Deck Type:

Drive Type: PTO Drive

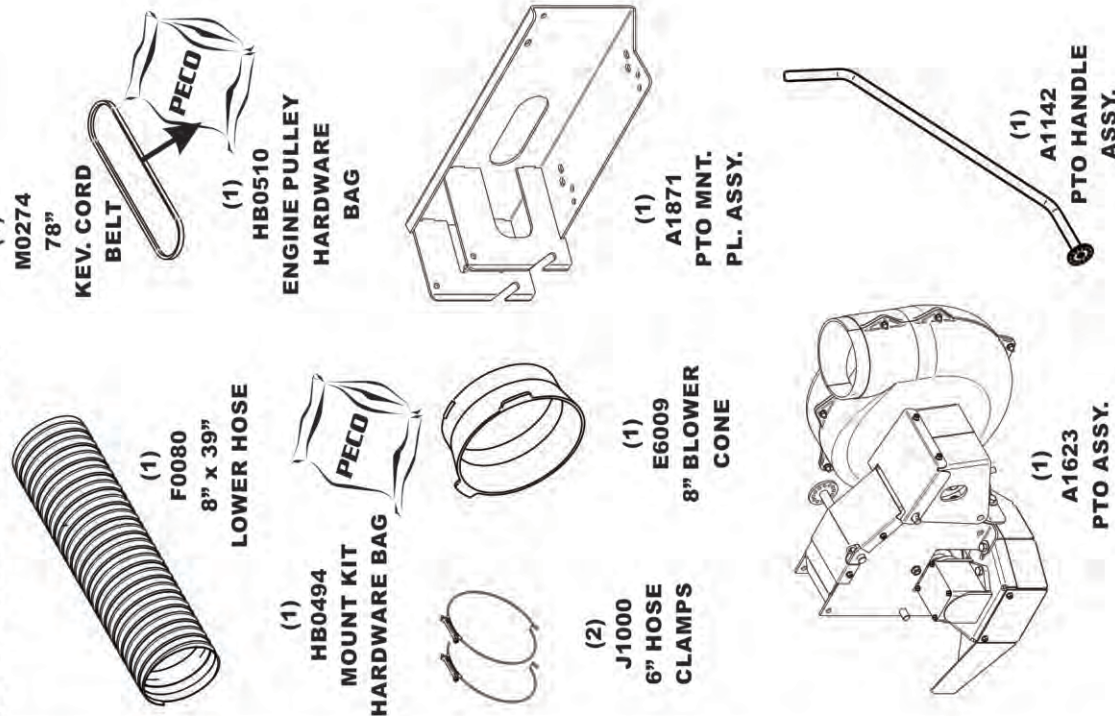
Revision #: Final Release 3/18/2013

Fits Year(s): 2011-2014

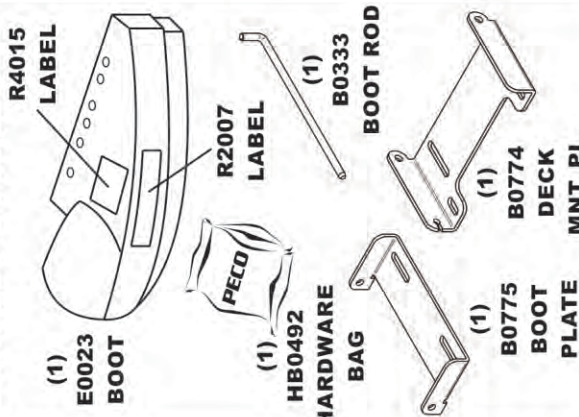
A1881 Vac Kit



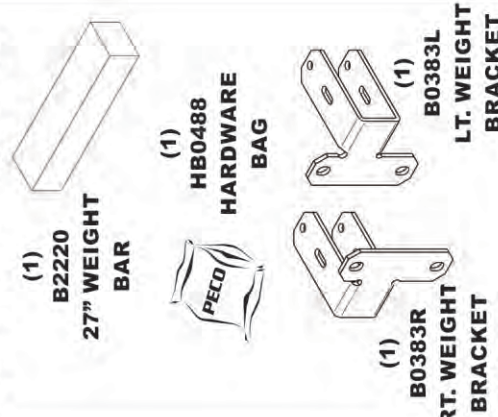
A1899 Mount Kit



A1880 Boot Kit



A1879 Weight Kit



SECTION III OPERATING INSTRUCTIONS

3-1 General Safety

Only qualified people familiar with this operator's manual and the mower's operator's manual should operate this machine.

3-2 Operation And Tips On Mowing

- A. Perform BEFORE EACH USE the maintenance list in paragraph 4-1.
- B. Start mower.
- C. With the mower at high idle speed, engage the mower deck.
- D. While seated in the operator's seat, rotate the engagement handle of the collection system away from the mower. Continue to rotate the handle until it stops in an over center position. With the blower engaged, you can proceed to operate the control levers of the mower.

NOTE: If the collection system does not appear to be collecting the grass clippings; disengage the deck, and blower, engage the parking brake and turn the mower off. Check the upper hose, lower hose, top screen and boot for clogs.

To obtain the maximum effectiveness from your collection system the tips listed below should be followed:

- * Watch your speed- Normal conditions will allow a speed of up to approximately 5 mph, but thick, heavy damp conditions will require reduced ground speed.
- * Mow with sharp blades- A sharp blade cuts cleaner.
- * Wet grass and leaves will decrease effectiveness and will increase horsepower requirements.
- * Mow at higher cutting heights- Remove and mulch no more than 2" of grass length with each mowing. (Experts recommend not cutting off more than 1/3 of the grass blade length at any given time.)
- * Mow twice, at different height settings, (high, then low), if grass is extra tall.
- * Remember that horsepower requirements will vary with the mowing conditions such as type and height of turf grass, moisture content, amount of leaves, whether the terrain is flat or hilly, etc.

3-3 Disengagement Of The Blower

- A. To disengage the blower, rotate the engagement handle towards the mower.

WARNING: The blower will continue to spin. DO NOT TOUCH the blower, pulleys, or the belt until the tractor is turned off. DO NOT adjust the belt tension until the mower is turned off. Refer to section 2-4 of the manual.

3-4 Unloading The Collection System

NOTE: Press the tab, located behind the operator's left side, downward to feel if the collection system is full. If the container is full there will be resistance when depressing the tab.

- A. Stop the forward movement of the mower.
- B. Disengage the mower deck.
- C. Disengage the blower.
- D. Verify that the dump area is clear.
- E. Push the dump handle, on the left of the operator, away from the unit. While holding the handle pushed away, move the handle upward. The container door will swing upward and the container will rotate downward. The container will release its contents.
- F. Once the contents of the container have fallen out, the container is ready to move back into its normal operating position. With the handle in the 'away' position, pull the handle downward until it stops. Move the handle towards the center of the mower. This motion will allow the latch to lock back into collection position.

NOTE: If you do not hold the handle away from the mower as you pull the handle downward, the latch will not lock and the container can unexpectedly release the contents collected.

SECTION IV MAINTENANCE

4-1 Maintenance Checklist

Before each use:

1. Check blades and spindles to be sure that no foreign objects, such as wire or steel strapping bands, are wrapped around them.
2. Inspect blades for wear. Replace if necessary. If it is necessary to sharpen the blades, remove the blades from the spindles before sharpening. DO NOT sharpen blades while still attached to the mower.

3. Make sure all shields are in place and in good condition. Repair or replace any missing or damaged shields.
4. Perform lubrication per paragraph 4-2.
5. Listen for abnormal sounds, which might indicate loose parts, damaged bearings, or other damage. Correct any deficiency before continuing operation.
6. With the engine off, engage the blower assembly. Check the belt tension and inspect the pulley belt for cracks or tears.
7. Check for wear or deterioration of the upper or lower hoses. If there are any portions of the hose that have been torn or worn through, replace with genuine PECO parts.

After Each Use:

1. Clean all debris from machine especially from the container, underneath the belt shields, and safety decals. Replace any missing or illegible decals.
2. Inspect the unit for worn or damaged components. Repair or replace before the next use. Any replacement component installed during repair shall include the component's current safety decal specified by the manufacturers to be affixed to the component.
3. Check belt for proper tension.

THE SERIAL NUMBER PLATE IS LOCATED ON THE ALUMINUM BOX ASSEMBLY



WRITE THE MODEL AND SERIAL NUMBER IN THE BOX ABOVE FOR FUTURE REFERENCE.

4-2 Lubrication

NOTE: Use only white lithium based grease for lubrication of the shaft on the blower assembly.

1. On initial use: Grease the fitting on the blower shaft.
2. Every 25 hours of use: Re-grease the grease fitting.
3. Every 200 hours of use: Check oil levels in gear box. Oil in gear box should cover the gears. If necessary, fill using an EP90 weight oil. 6oz. will fill the gear box from empty.

SECTION V PARTS AND SERVICE

5-1 Parts And Service Information

Collection system owners should record the name and telephone number of their Dixie Chopper dealer. Your Dixie Chopper dealer will be happy to supply replacement parts, accessories, and do any service or repairs to your collection system. If for any reason your Dixie Chopper dealer is unable to service your collection system or supply replacement parts, contact Dixie Chopper and include the following information on the chart below.

Unit Model Number: _____
Unit Engine Size: _____
Unit Serial Number: _____
Date of purchase: ____/____/____
Dealer/Distributor Name: _____
Address: _____ **State:** _____ **Zip:** _____
Phone Number: _____

SAFETY DECALS

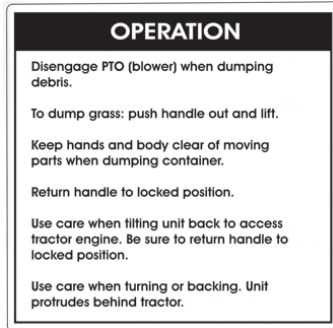
To promote safe operation, Dixie Chopper supplies safety decals on all products manufactured. Damage can occur to safety decals either through shipment, use or reconditioning. Contact your local Service Center for replacement decals.



R2008



R2007



Part #: R1049



Part #: R1069



Part #: R1053



Part #: R1057



Part #: R1055



Part #: R4037



Part #: R1054



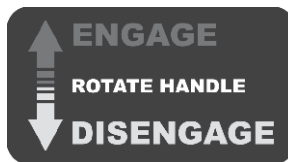
Part #:R4015



Part #: R1065



Part #: R1052



Part #:R1083



Part #: R0014



Part #:R4008



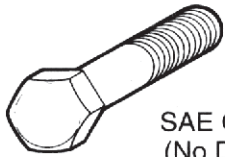
Part #:R1051



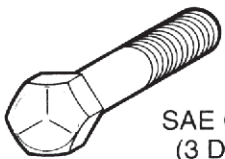
Part #: R0015

TORQUE SPECIFICATIONS

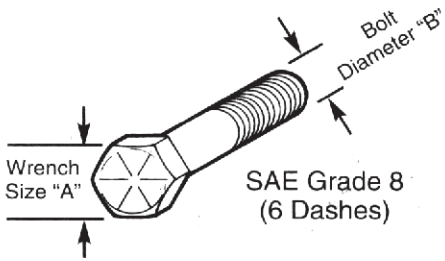
AMERICAN Bolt Head Markings



SAE Grade 2
(No Dashes)



SAE Grade 5
(3 Dashes)

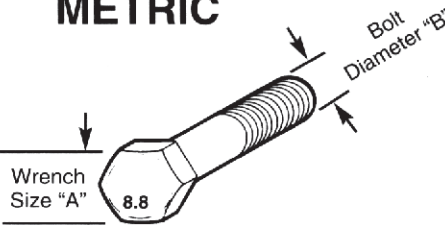


SAE Grade 8
(6 Dashes)

Recommended Torque in Foot Pounds (Newton Meters).*

| WRENCH SIZE (IN.) "A" | BOLT DIAMETER (IN.) "B" AND THREAD SIZE | SAE GRADE 2 | SAE GRADE 5 | SAE GRADE 8 |
|-----------------------|---|-------------|-------------|-------------|
| 7/16 | 1/4 - 20 UNC | 6 (7) | 8 (11) | 12 (16) |
| 7/16 | 1/4 - 28 UNF | 6 (8) | 10 (13) | 14 (18) |
| 1/2 | 5/16 - 18 UNC | 11 (15) | 17 (23) | 25 (33) |
| 1/2 | 5/16 - 24 UNF | 13 (17) | 19 (26) | 27 (37) |
| 9/16 | 3/8 - 16 UNC | 20 (27) | 31 (42) | 44 (60) |
| 9/16 | 3/8 - 24 UNF | 23 (31) | 35 (47) | 49 (66) |
| 5/8 | 7/16 - 14 UNC | 32 (43) | 49 (66) | 70 (95) |
| 5/8 | 7/16 - 20 UNF | 36 (49) | 55 (75) | 78 (106) |
| 3/4 | 1/2 - 13 UNC | 49 (66) | 76 (103) | 106 (144) |
| 3/4 | 1/2 - 20 UNF | 55 (75) | 85 (115) | 120 (163) |
| 7/8 | 9/16 - 12 UNC | 70 (95) | 109 (148) | 153 (207) |
| 7/8 | 9/16 - 18 UNF | 79 (107) | 122 (165) | 172 (233) |
| 15/16 | 5/8 - 11 UNC | 97 (131) | 150 (203) | 212 (287) |
| 15/16 | 5/8 - 18 UNF | 110 (149) | 170 (230) | 240 (325) |
| 1-1/8 | 3/4 - 10 UNC | 144 (195) | 266 (360) | 376 (509) |
| 1-1/8 | 3/4 - 16 UNF | 192 (260) | 297 (402) | 420 (569) |
| 1-5/16 | 7/8 - 9 UNC | 166 (225) | 430 (583) | 606 (821) |
| 1-5/16 | 7/8 - 14 UNF | 184 (249) | 474 (642) | 668 (905) |
| 1-1/2 | 1 - 8 UNC | 250 (339) | 644 (873) | 909 (1232) |
| 1-1/2 | 1 - 12 UNF | 274 (371) | 705 (955) | 995 (1348) |
| 1-1/2 | 1 - 14 UNF | 280 (379) | 721 (977) | 1019 (1381) |
| 1-11/16 | 1-1/8 - 7 UNC | 354 (480) | 795 (1077) | 1288(1745) |
| 1-11/16 | 1-1/8 - 12 UNF | 397 (538) | 890 (1206) | 1444 (1957) |
| 1-7/8 | 1-1/4 - 7 UNC | 500 (678) | 1120 (1518) | 1817 (2462) |
| 1-7/8 | 1-1/4 - 12 UNF | 553 (749) | 1241 (1682) | 2013 (2728) |
| 2-1/16 | 1-3/8 - 6 UNC | 655 (887) | 1470 (1992) | 2382 (3228) |
| 2-1/16 | 1-3/8 - 12 UNF | 746 (1011) | 1672 (2266) | 2712 (3675) |
| 2-1/4 | 1-1/2 - 6 UNC | 870 (1179) | 1950 (2642) | 3161 (4283) |
| 2-1/4 | 1-1/2 - 12 UNF | 979 (1327) | 2194 (2973) | 3557 (4820) |

METRIC



Numbers appearing on bolt heads indicate ASTM class.

Recommended torque in foot pounds (newton Meters).*

| WRENCH SIZE (mm) "A" | BOLT DIA. (mm) "B" | ASTM 4.6 | ASTM 8.8 | ASTM 9.8 | ASTM 10.9 |
|----------------------|--------------------|-----------|-------------|-----------|-------------|
| 8 | 5 | 1.8 (2.4) | | 5.1 (6.9) | 6.5 (8.8) |
| 10 | 6 | 3 (4) | | 8.7 (12) | 11.1 (15) |
| 13 | 8 | 7.3 (10) | | 21.1 (29) | 27 (37) |
| 16 | 10 | 14.5 (20) | | 42 (57) | 53 (72) |
| 18 | 12 | 25 (34) | 74 (100) | 73 (99) | 93 (126) |
| 21 | 14 | 40 (54) | 118 (160) | 116 (157) | 148 (201) |
| 24 | 16 | 62 (84) | 167 (226) | 181 (245) | 230 (312) |
| 30 | 20 | 122 (165) | 325 (440) | | 449 (608) |
| 33 | 22 | | 443 (600) | | 611 (828) |
| 36 | 24 | 211 (286) | 563 (763) | | 778 (1054) |
| 41 | 27 | | 821 (1112) | | 1138 (1542) |
| 46 | 30 | 418 (566) | 1119 (1516) | | 1547 (2096) |

*Use 75% of the specified torque value for plated fasteners. Use 85% of the specified torque values for lubricated fasteners.



**Contact: service@dixiechopper.com
765-246-6191 FAX 765-246-6017**