



**PTO  
GRASS COLLECTION  
SYSTEM**

**DESIGNED FOR:**

**MODEL 12621217  
GRAVELY 200 SERIES MOWER**



**OPERATOR'S MANUAL**

**ASSEMBLY ● OPERATION ● MAINTENANCE**

# PTO GRASS COLLECTION SYSTEM

## TABLE OF CONTENTS

SECTION	PAGE	SECTION	PAGE
Safety	2	2-12 The Length Of Hose Adustment	16
Safety Alert Symbols	3	2-13 Upper Hose Installation	16
Warranty	4	2-14 Lower Hose To Blower Cone Installation	16
I INTRODUCTION AND DESCRIPTION	5	2-15 Lower Hose To Boot Installation	16
1-1 Introduction	5	2-16 Front Weight Assembly	16
1-2 Description	5	2-17 Blower Cone Installation	17
II INSTALLATION FOR USE	5	2-18 Impeller Blade Removal/Replacement	17
2-1 Preparation Of Mower	5	2-19 Final Checks	18
2-2 Lower Frame Leg Installation	6	III OPERATING INSTRUCTIONS	18
2-3 Top Main Frame Assembly Installation	7	3-1 General Safety	18
2-4 Lift Handle Installation	7	3-2 Operation & Tips On Mowing	18
2-5 Aluminum Grass Container Installation	8	3-3 Disengagement Of The Blower	18
2-6 Aluminum Grass Container Inlet Attachment	8	3-4 Unloading The Collection System	18
2-7 Dump Mechanism Adjustment	8	IV MAINTENANCE	18
Exploded Parts Views and Assemblies	9-13	4-1 Maintenance Checklist	18
2-8 Universal PTO Installation	14	4-2 Lubrication	19
2-9 Belt Installation	14	V PARTS AND SERVICE	19
2-10 Cam Assembly Adjustment	15	5-1 Parts And Service Information	19
2-11 Boot Installation	15	Safety Decals	20
		Torque Specifications	21

### Safety

1. Read the operator's manual carefully and familiarize yourself with the proper use of your attachment. Do not allow anyone who is not acquainted with the Safety Instructions to use your attachment.
2. Know the controls and how to stop quickly. **READ THE OPERATOR'S MANUAL!**
3. Do not allow children to operate the vehicle. Do not allow adults to operate it without proper instruction.
4. Be especially watchful of children and pets darting into the area while operating.
5. Keep your eyes and mind on your unit while mowing or operating your attachment. Don't let others distract you.
6. Do not attempt to operate your unit or mower when not in the driver's seat.
7. Always stop unit when emptying the container.
8. Stop unit, shut off deck and attachment, set parking brake, shut off mower engine and remove spark plug wire before removing clogs or removing or replacing hose, boot, blower cone, or performing any maintenance.
9. Mow across the face of slopes (not steeper than 10 degrees); never up and down the face of the slope.
10. It is recommended that the container be kept only half full when negotiating any slopes. Start mowing on slopes when the container is empty.
11. Inspect your lawn and remove any foreign objects before mowing. Never deliberately run the mower across any foreign object.
12. Wear ear protection if the noise level is offensive.
13. Wear eye protection to prevent debris from damaging your eyes.

# SAFETY

**WARNING!** **NEVER** operate the unit unless the discharge guard and either the deflector assembly or the vacuum collector adapter are fastened securely in place.

**WARNING!** Do not work around the mower deck boot or the blower area until you are certain that the mower blades and the blower impeller have stopped rotating.

**WARNING!** To avoid serious injury, perform maintenance on the vacuum collector; **ONLY AFTER STOPPING THE MOWER'S ENGINE AND WAITING FOR ALL MOVING PARTS TO COME TO A COMPLETE STOP.** Set the parking brake. Always remove the ignition key before beginning maintenance.

**WARNING!** For your own personal safety, **ALWAYS** mow **ACROSS** the face of slopes and **NEVER UP and DOWN** the face. **NEVER** attempt to mow excessively steep slopes, and use caution when turning on any slope.

## Safety Alert Symbol



This Safety Alert Symbol means: **“ATTENTION! BECOME ALERT! YOUR SAFETY IS INVOLVED!”**

This symbol is used to call attention to safety precautions that should be followed by the operator to avoid accidents. When you see this symbol, carefully read the message that follows and heed its advice. Failure to comply with safety precautions could result in death or serious bodily injury.

## Safety Signs

The signal words **DANGER**, **WARNING**, and **CAUTION** are used on the equipment safety signs. These words are intended to alert the viewer to the existence and the degree of hazard seriousness.



White letters on **RED**

This signal word indicates a potentially hazardous situation which, if not avoided, will result in death or serious injury.



Black letters on **ORANGE**

This signal word indicates a potentially hazardous situation which, if not avoided, could result in death or serious injury.

It may also be used to alert against unsafe practices.



Black letters on **YELLOW**

This signal word indicates a potentially hazardous situation exist which, if not avoided, will result in minor or moderate injury.

It may also be used to alert against unsafe practices.

# **PECO LIMITED WARRANTY FOR NEW PRODUCTS**

## **A. WHAT IS UNDER WARRANTY?**

PECO extends the following warranties to the original purchaser of each new PECO consumer product subject to the following limitations.

- 1. PRODUCT WARRANTY:** Any part of any consumer product, which is defective in material or workmanship as delivered to the purchaser will be repaired or replaced, as PECO elects, without charge for parts or labor, if the defect appears within 12 months (On most products, see owners manual for specifics) from the date of delivery of the product to the original purchaser. **ALL DEFECTIVE PARTS MUST BE RETURNED TO PECO FOR INSPECTION TO DETERMINE VALIDITY OF WARRANTY CLAIMS.** Freight and mailing will **be borne by the customer.**
- 2. PARTS REPLACED DURING WARRANTY:** Any new PECO part which is furnished in performance of this warranty and is defective in material or workmanship as delivered to the purchaser will be repaired or replaced, as PECO elects, without charge if the defect appears within 90 days from the date of installation of such part or before the expiration of the original warranty period, whichever is later.

## **B. SECURING WARRANTY ADJUSTMENTS.**

Call PECO for Return Authorization. Damaged or broken parts other than engines or batteries, must be returned to New PECO Inc., 100 Airport Road, Arden, NC 28704 before any warranty adjustment can be authorized. At the time of requesting warranty adjustment, the purchaser must present evidence of the date of delivery of the product. The purchaser shall pay any charge for the product to and from Arden, NC.

## **C. ITEMS NOT COVERED BY PECO WARRANTY.**

Engines and batteries attached to PECO products are covered under a separate warranty by the respective manufacturer.

## **D. UNAPPROVED ALTERATION OR MODIFICATION.**

All obligations of New PECO, Inc. under this warranty shall be terminated if products are altered or modified in ways not approved by New PECO Inc.

## **E. ACCIDENTS AND NORMAL MAINTENANCE.**

The warranty covers only defective material and workmanship. It does not cover depreciation or damage caused by normal wear, accident, improper use or abuse of products. The cost of normal maintenance and normal replacement of service items such as belts, cutting blades, hoses, etc., which are not defective shall be paid for by the purchaser.

## **F. NO REPRESENTATIONS ADDITIONAL WARRANTIES, DISCLAIMER.**

Neither New PECO Inc. nor any company affiliated with it makes any warranties, representations or promises as to the quality of performance of its products other than those set forth herein. Except as described above, New PECO Inc. makes no other warranties **AND SPECIFICALLY DISCLAIMS ANY AND ALL IMPLIED WARRANTIES OF FITNESS AND MERCHANTABILITY.**

## **G. ANY MACHINE USED FOR RENTAL PURPOSES ARE GUARANTEED FOR 45 DAYS FROM DATE OF ORIGINAL SALE ONLY.**

## **H. REMEDIED EXCLUSIVE.**

The only remedies the purchaser has in connection with the breach or performance of any warranty on New PECO Inc. consumer products are set forth above. In no event will PECO be liable for special incidental or consequential damages.

## **1. NO SERVICE CENTER WARRANTY.**

The selling Service Center makes no warranty on his own on any item warranted by New PECO Inc. unless he delivers to purchaser a separate written warranty certificate specifically warranting the item. The dealer has no authority to make any representation or promise on behalf of PECO or to modify the terms of this warranty in any way.

# SECTION I

## INTRODUCTION AND DESCRIPTION

### 1-1 Introduction

We are pleased to have you as a PECO customer. Your collection system has been designed to give you a low maintenance, simple, and effective way to collect the grass clippings from your mower. This manual is provided to give you the necessary instructions to properly mount and operate the collection system on your mower. Please read this manual thoroughly. Understand what each control is for and how to use it. Observe all safety decal precautions on the machine and noted throughout the manual.

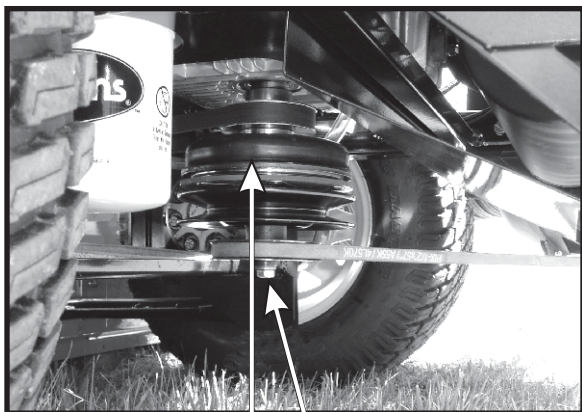
**NOTE:** All references made to right, left, front, rear, top or bottom are as viewed from the normal operator's position on the mower.

### 1-2 Description

The collection system is designed for turf maintenance where there is a need to collect the grass clippings as the mower cuts the turf. It is also good for picking up leaves and twigs in pre-season and post-season clean-up.

The blower, mounted on the right side of the unit, uses a belt and gearbox system from the engine PTO shaft. Drive train protection comes through belt slippage. The blower draws grass clippings from the discharge area of the cutter deck up to the aluminum container mounted over the rear portion of the mower frame. The operator can engage the blower with a push of the over-center linkage on the right side of the unit. Once the container is full of clippings, the operator can easily push and raise the lift handle, releasing the container's rear door and the container will pivot towards the ground.

Figure 2-1a



Engine Pulley Assy.  
Electric Clutch

## Section II

## INSTALLATION FOR USE

### 2-1 Preparation Of Mower

Carefully dismantle wooden shipping crate from around the components. Cut retaining straps and separate the parts. The collection system will have various parts located inside. Remove and sort all parts for easy identification.

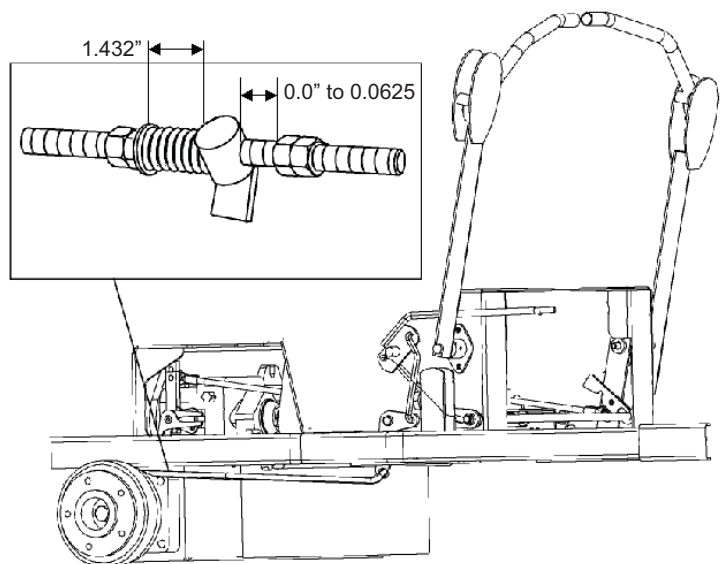
**NOTE:** Before each step of assembly it will help to study the exploded drawings on pages 9,10,11,12 and 13.

From the underside of the mower engine remove the bolt and bushing from the electric clutch assembly. Replace these parts with the engine pulley assembly P#(A1106), (1) 1/4" x 3/4" keyway P#(K0076), (1) 7/16" lock washer P#(K0140), and (1) 7/16"-20 x 3-1/4" HHCS P#(K0351). The added pulley will power the collection system. Note that the center of the hub that is extended should be upward toward the engine (Figure 2-1a). Torque the bolt to 55 ft./lbs.

### Parking Brake Setting

For the added weight of the collection system, the parking brake must be re-adjusted. To do this, first Remove the rear wheels from the mower. Once removed, reset the spring and the stop gap per the dimensions in the diagram (Figure 2-1b). Replace the wheels when completed and torque each bolt to 51-72 ft./lbs.

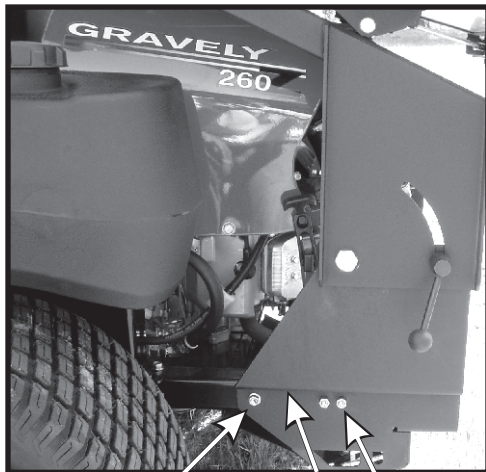
Figure 2-1b



## 2-2 Lower Frame Leg Installation

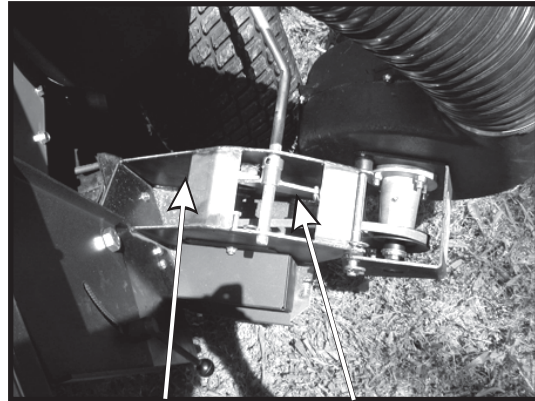
Remove the (3) bolts (Figure 2-2a) from each side of the rear of the mower. Keep the bolt, from each side, that threads through the mower's rear frame. Place the left lower main frame leg assembly P#(A0511) onto the rear of the mower and fasten by using (2) 3/8"-16 x 3" HHCS P#(K1198) and (2) 3/8"-16 flange nuts P#(K1215). Use the existing bolt removed from the mower to fasten the front side of the leg. Repeat this step to fasten the PTO mount plate assembly P#(A0630).

Figure 2-2a.



Existing Bolt  
Left Lower Main Frame Assembly  
(2) 3/8" x 3" HHCS

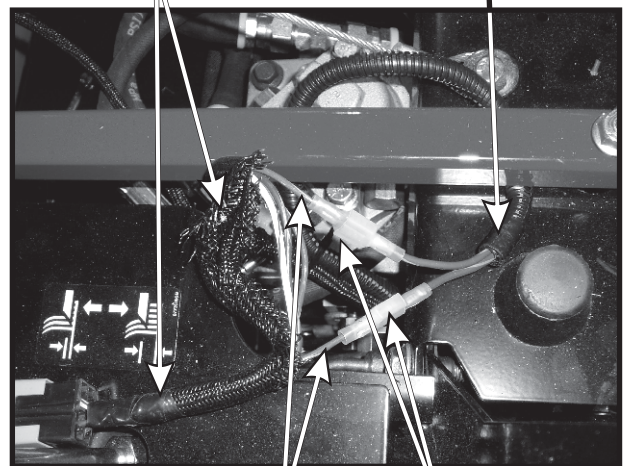
Figure 2-2b



Free End Of Harness For Routing  
Harness Connected Here

Figure 2-2c  
Parking Brake Switch Harness

Safety Interlock Harness

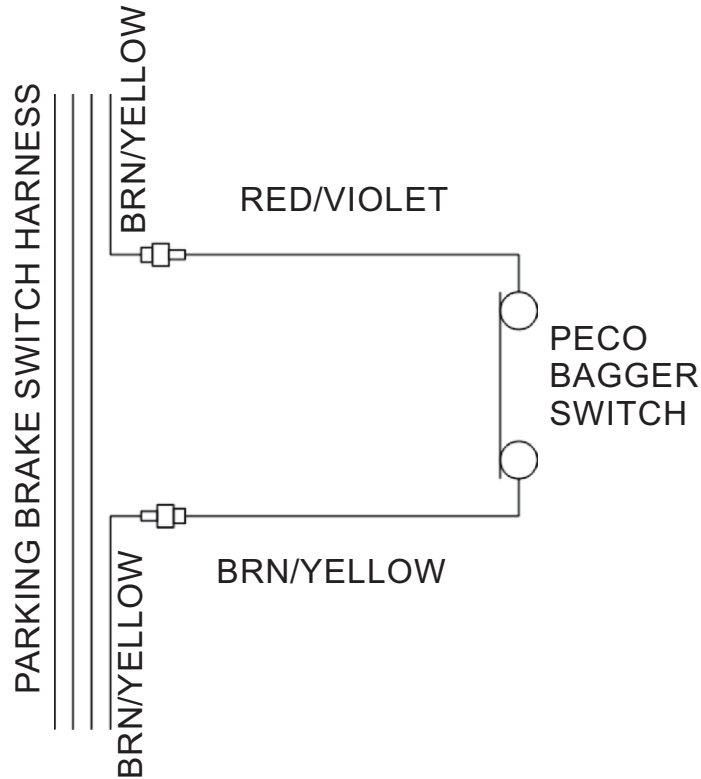


Cut Wire  
Crimped Push On Connectors

### Safety Interlock Harness Connection

The safety interlock harness is located inside of the PTO assembly (Figure 2-2b). To install the harness to the mower, lift the hood of the mower for engine compartment access. Route the harness toward the parking brake switch bracket on the mower. Fasten the harness to the mower's rear frame by using (1) zip tie P#(J0245) to prevent the harness from rubbing the mower's tire. Next, carefully cut away the harness covering from the parking brake switch harness to access the wiring, taking care not to damage the wiring inside (Figure 2-2c). Select one of the brown/yellow wires from the parking brake switch harness, cut and strip both ends of the wire. Crimp on the (2) push on wire connectors provided, (1) male P#(P0099) and (1) female P#(P0106). See figure 2-2d for more detail. When finished, connect the (2) wire connectors P#(P0099) and P#(P0106) to the end of the safety interlock harness.

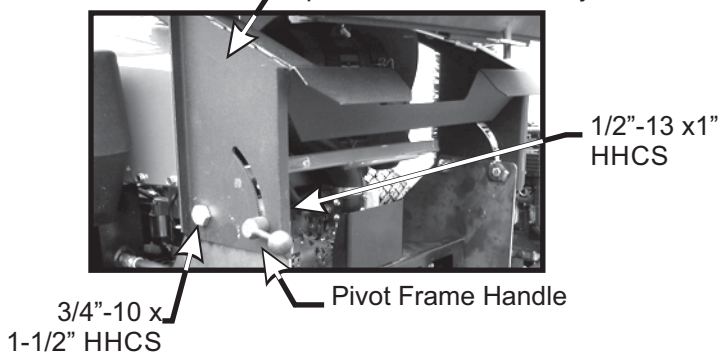
Figure 2-2d



### 2-3 Top Main Frame Assembly Installation

Place the top main frame assembly P#(A0944) (Figure 2-3) onto the main frame legs and fasten each side by using (1) 3/4"-10 x 1-1/2" HHCS P#(K0364), (1) 3/4"-10 nyloc nut P#(K1433), (1) 1/2"-13 x 1" HHCS P#(K1231), and (1) pivot frame handle P#(A1001). The handles are used to pivot the frame to the rear for mower engine access. Be sure that the handles are tight and the frame is in the upright position before each use!

Figure 2-3 Top Main Frame Assembly



### 2-4 Lift Handle Installation

The various parts of the box handle assembly P#(A0897) must be attached to the container frame. Page 9 shows the orientation and location of the components. Slide the lift handle into the slot in the handle mount bracket P#(B1730) on the grass container. It may be necessary to remove the handle grip P#(J0522) to allow the handle to fit through the slot.

Before attaching the handle, hook one end of the spring P#(J0176) into the hole on the underside of the handle. Hook the other end of the spring into the open hole in the handle mount bracket. Fasten the handle to the grass container frame by using (1) 3/8"-16 x 2" HHCS P#(K1208) and (2) 3/8"-16 flange nuts P#(K1215). At this point the handle can pivot back and forth in the slot of the handle mount bracket. With the handle in place, fasten the ball joint P#(K1442) to the end of the latch rod P#(A0260) (Page 9). Tighten to approximately half way down the threads of the latch rod. Slide the ball joint into the hole on the latch hook P#(B1529). Use (1) 5/16"-24 hex nut P#(K1444) and (1) 5/16" lock washer P#(K0043) to fasten the ball joint to the latch hook. Attach the opposite end of the latch rod into the handle. Fasten the rod to the handle by using (1) 3/32" x 3/4" cotter pin P#(K0094). Adjust the rod to allow the hook to close the box door completely.

Refer to pages 9,10,11,12 and 13 for exploded parts drawings and photographs of the complete assembly.

## 2-5 Aluminum Grass Container Installation

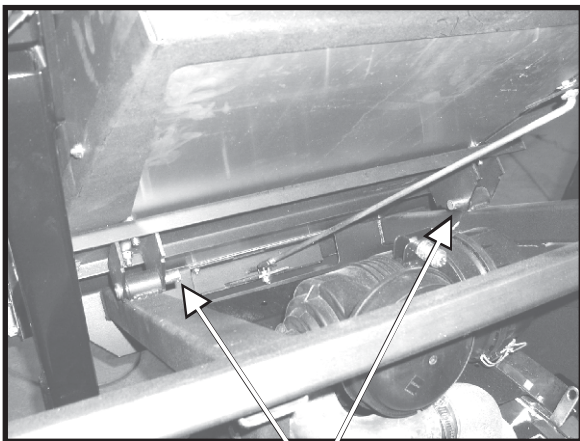
**NOTE:** It is recommended that (3) people assist in mounting the container.

With three people available, two can lower the container onto the frame while the third person inserts the pivot pins P#(K0172) through the holes. Insert the pins from the outside to the inside. Secure with (1) 5/8" washer P#(K0058) and (1) 5/32" x 2-5/8" hair pin clip P#(K0088) per pivot pin (Figure 2-5).

Reattach the bottom ends of the door opening linkages to the main frame by using (1) Rue-Ring cotter pin P#(K1437) per side.

To test the functionality of the dump mechanism, pull the lift handle away from the unit, and lift upward (Page 9). The door of the container should open and the box should pivot clockwise towards the ground.

Figure 2-5.



Pivot Pins

## 2-6 Aluminum Grass Container Inlet Attachment

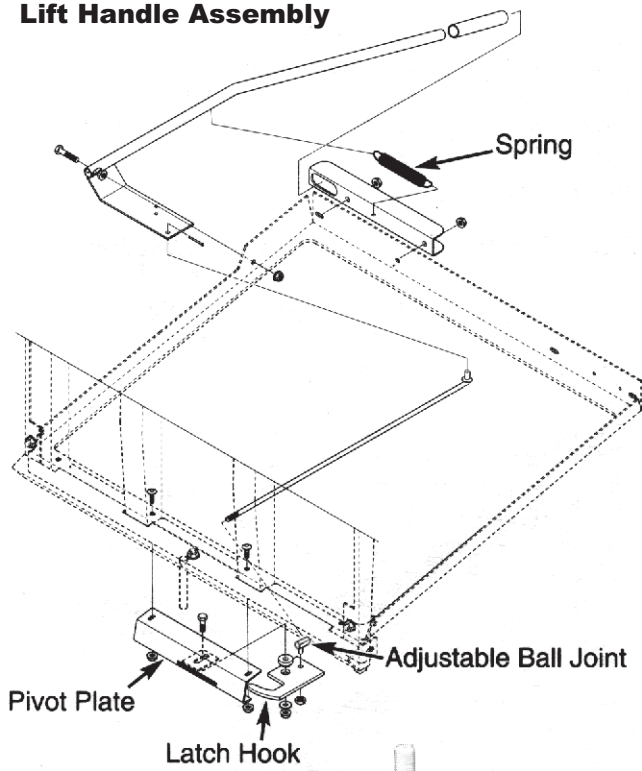
The inlet will need to be attached to the container (See page 9). Open the container, push the inlet from the inside of the container through the hole in the container to the outside. Orient the inlet opening to face the ground. Use the tabs P#(B1668) inside of the box to hold the inlet in place. It is recommended that two people perform this step. That way, one person on the inside of the container can position the tabs, while the other person tightens the bolts. Looking at the outside of the container, the most difficult tab to tighten down will be the tab at the 4-5 o'clock position. Tighten that tab first. Then proceed to tighten the others.

## 2-7 Dump Mechanism Adjustment

The linkage may be adjusted in two places, at the adjusting screw P#(K1435) and the latch assembly items. See page 9 for visual clarification. To change the door closure tightness, screw the adjusting screw in or out. To adjust the latch, change the length of the latch rod by screwing the latch adjusting ball joint in or out. The latch hook pivot should be in the middle of the slot in the latch hook pivot plate. Slide the pivot back or forth and then re-tighten.



**Lift Handle Assembly**



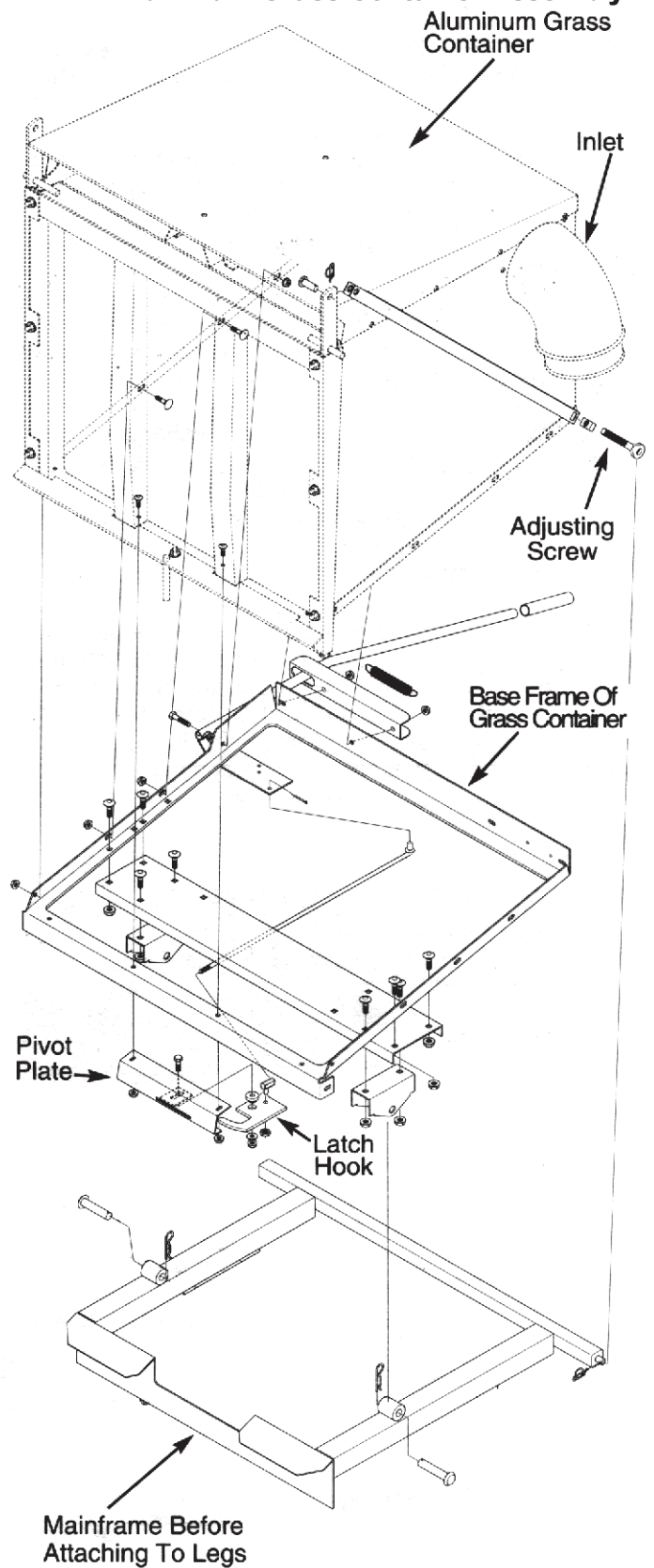
**Aluminum Grass Container With Handle Attached**



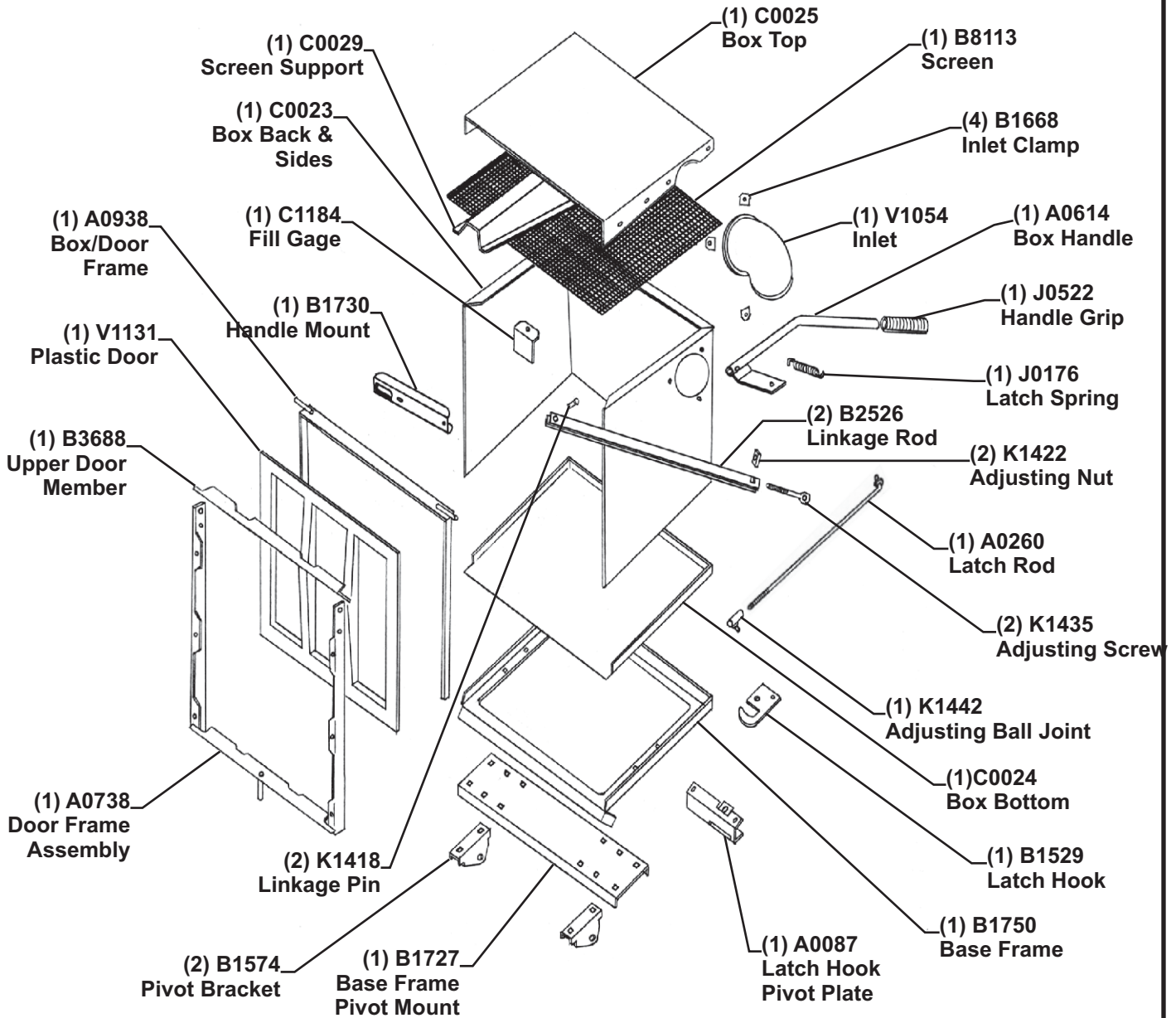
**Latch Hook Mechanism Assembly**



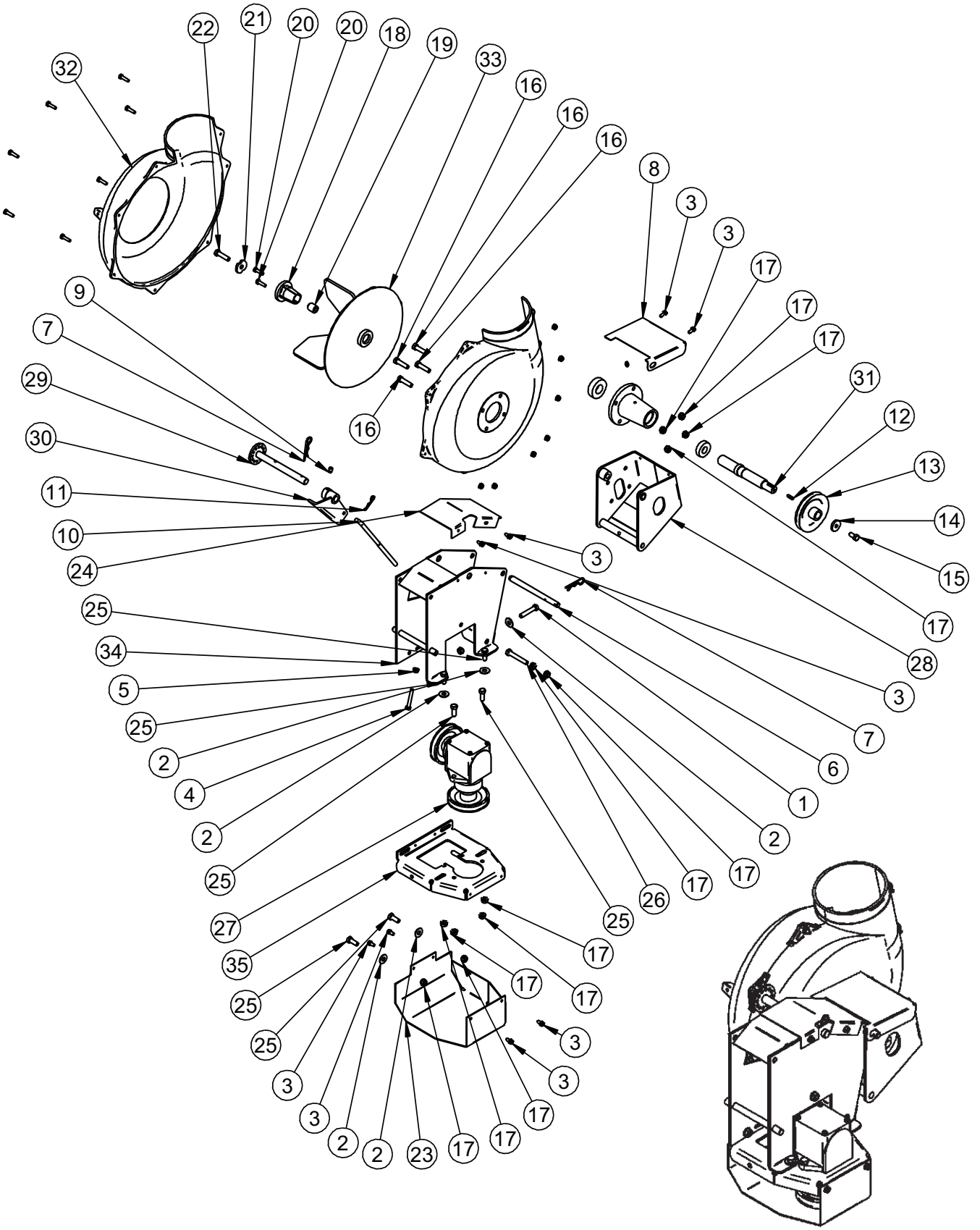
**Aluminum Grass Container Assembly**



**Aluminum Grass  
Container  
Exploded View**



# Exploded Parts View



ISO VIEW

# PTO Parts List

Item Number	Document Number	Title	Quantity
1	K0348	3/8"-16 x 2" ALL THREAD HHCS	1
2	K0047	3/8" FLAT WASHER 1.00 OD x .446 ID x .075 T	5
3	K0353	1/4"-20 x 1/2" HHSTS	8
4	K1159	5/16"-18 x 2" ALL THREAD HHCS	1
5	K1178	5/16"-18 FLANGE NUT	1
6	BI755	BLOWER PIVOT ROD	1
7	K0086	.125 OD x 2.50 HAIR PIN CLIP	2
8	B0121	BLOWER BELT GUARD	1
9	K0356	3/8"-16 TAPERED SET SCREW	1
10	K0326	BELT TENSION ROD 3/8"-16	1
11	K0130	.091 OD x 1.625 L HAIR PIN CLIP	1
12	J0254	3/16" SQ. x 3/4" LONG KEYWAY	1
13	M0228	BLOWER PULLEY	1
14	K1446	1.187 OD x .380 ID x .187 WASHER	1
15	K1190	3/8"-16 x 3/4" HHCS	1
16	K1193	3/8"-16 x 1-1/2" HHCS	4
17	K1215	3/8"-16 FLANGE NUT	12
18	S4302	TAPER-LOCK BUSHING	1
19	S3242	PLATED BUSHING	1
20	K1225	1/4"-20 X 1" HHCS GRADE 8	2
21	K0278	TAPER-LOCK BUSHING WASHER	1
22	K1211	3/8"-16 x 1-1/2" HHCS GRADE 8	1
23	B0269	GEAR BOX PULLEY GUARD	1
24	B0270	PTO ARM GUARD	1
25	K1191	3/8"-16 x 1" HHCS	6
26	K1197	3/8"-16 X 2 1/2" HHCS	1
27	A0429	GEAR BOX ASSEMBLY	1
28	A0144	BLOWER MOUNT BRACKET ASSEMBLY	1
29	A0604	PTO HANDLE MOUNT ASSY	1
30	A0422	CAM BRACKET ASSEMBLY	1
31	A0306	PTO SHAFT ASSEMBLY	1
32	E4004A	BLOWER HSG. ASSY.	1
33	A0645	SMALL 4-BLADE IMPELLER	1
34	A0622	PTO ARM ASSY.	1
35	A0624	BASE PLATE ASSY.	1

# MODEL#: 12621217

MOWER NAME: GRAVELY

MOWER MODEL: 200 SERIES

MOWER DECK SIZE: 52", 60 & 66" X-FACTOR DECK

VAC NAME: 12 CUBIC FOOT BOX

PTO DRIVEN  Q0408 MANUAL

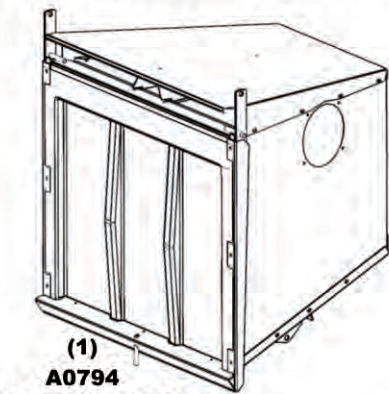
\* FITS GRAVELY MODELS W/ OGURA CLUTCH



FOR YEAR: 2010

REVISED:

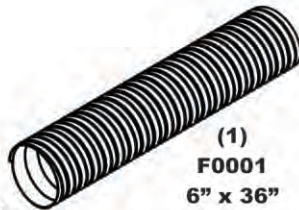
## A1107 UNIT ASSY.



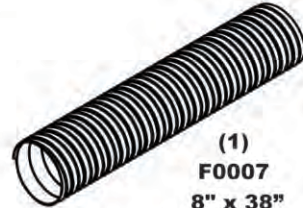
(1)  
A0794  
12 CU. FT. BOX  
ASSEMBLY



(1)  
V1054  
6" PLASTIC  
INLET



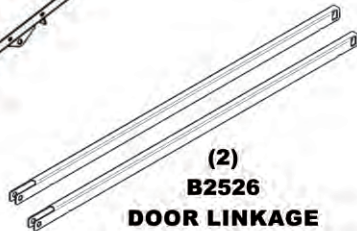
(1)  
F0001  
6" x 36"  
BLACK/CLEA  
RHOSE



(1)  
F0007  
8" x 38"  
BLACK/CLEAR  
HOSE



(1)  
HB0424  
HARDWARE  
BAG



(2)  
B2526  
DOOR LINKAGE



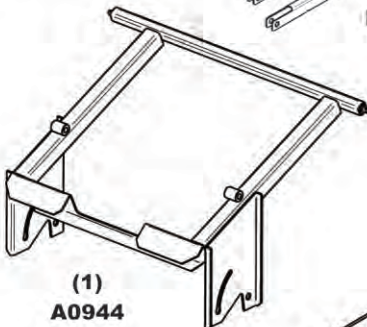
(2)  
J0060  
6" HOSE  
CLAMP



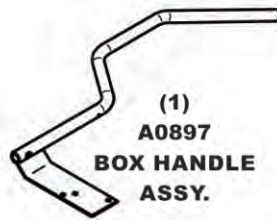
(2)  
J0080  
6" HOSE  
CLAMP



(1)  
HB0423  
ENGINE PULLEY  
HARDWARE  
BAG



(1)  
A0944  
TOP  
MAIN FRAME  
ASSY.



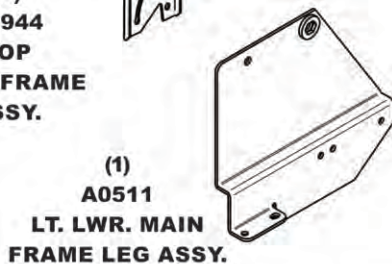
(1)  
A0897  
BOX HANDLE  
ASSY.



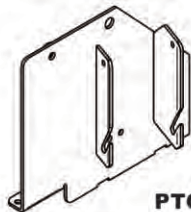
(1)  
A0603  
PTO HANDLE  
ASSY.



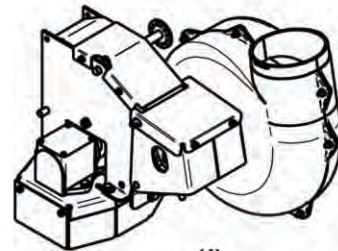
(1)  
E6009  
8" BLOWER  
CONE



(1)  
A0511  
LT. LWR. MAIN  
FRAME LEG ASSY.

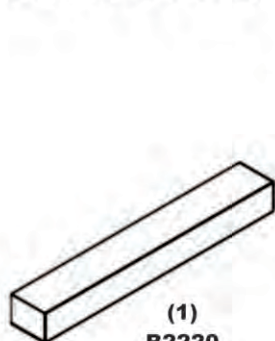


(1)  
A0630  
PTO MNT. PL.  
ASSY.

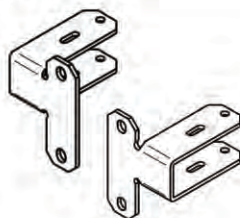


(1)  
A0623  
PTO ASSY. w/ GRAVELY  
INTERLOCK HARNESS &  
SWITCH ATTACHED

## A1784 WEIGHT KIT



(1)  
B2220  
WEIGHT BAR

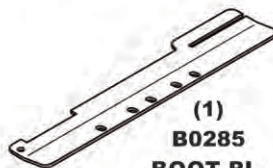


(1 LEFT)  
(1 RIGHT)  
B0383  
WEIGHT  
BKRT.

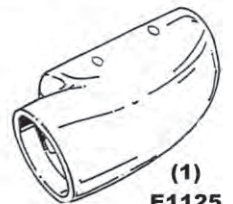


(1)  
#HB0421  
HARDWARE  
BAG

## A0631 BOOT KIT



(1)  
B0285  
BOOT PL.



(1)  
E1125  
BOOT



(1)  
#HB0236  
HARDWARE  
BAG

## 2-8 Universal PTO Installation

To mount the PTO assembly, insert the mount rod on the PTO assembly P#(A0623) into the mounting slots located on the PTO mount plate assembly P#(A0630) Figure 2-8a. Next, tilt the PTO assembly forward and insert the PTO assembly mount pin P#(B0274) thru the hole in the top of the PTO mount plate assembly and thru the PTO assembly. Secure the PTO mount pin using 1/8" x 2-1/2" hair pin clip P#(K0086) Figure 2-8b.

Figure 2-8a

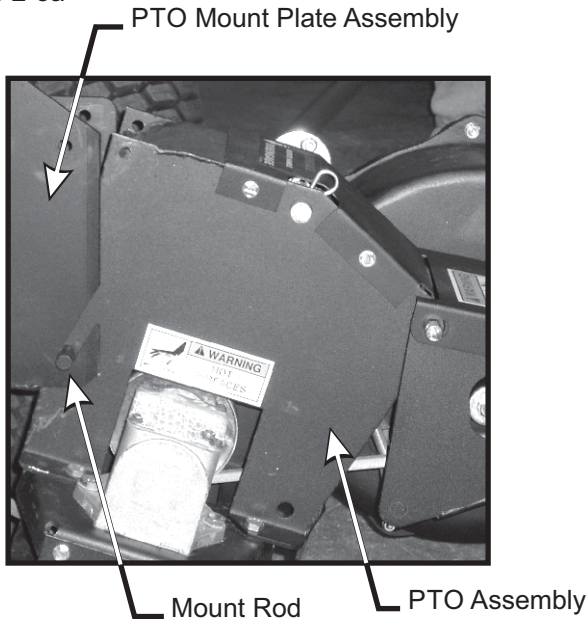
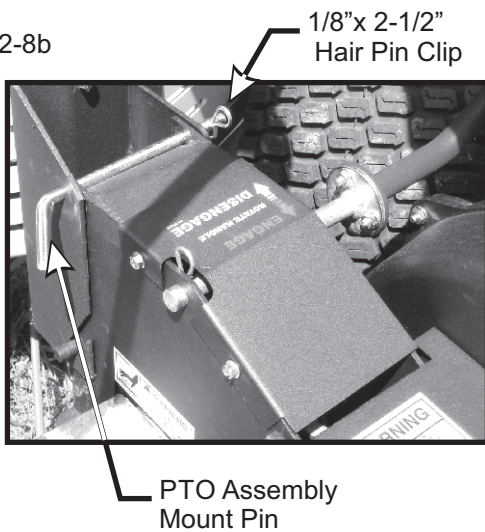


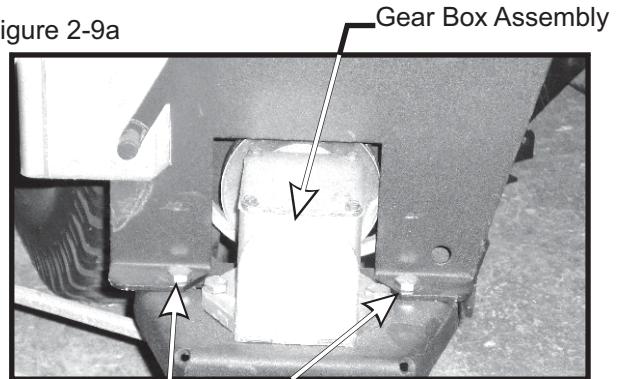
Figure 2-8b



## 2-9 Belt Installation

Loosen the (4) bolts P#(K1191), (2) on each side, that secure the gear box assembly to the PTO assembly P#(A0423) (Figure 2-9a). Loosen the adjustment bolt P#(K0348) until the gear box assembly is at its far left adjustment (the gear box is moved toward the mower's engine pulley). Connect the A55K kevlar cord belt P#(M0248) from the engine pulley to the lower gear box pulley (Figure 2-9b). To tension the drive belt, turn the adjustment bolt clockwise until there is 1" of deflection, with 10-11 lbs. of pressure, at the center of the belt between the engine pulley and the gear box pulley. Once the correct tension of the belt is achieved, tighten the (4) bolts that secure the gear box assembly.

Figure 2-9a



Loosen These  
(4) Bolts

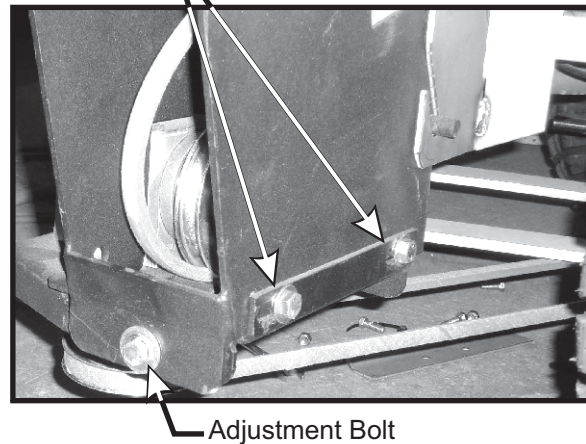
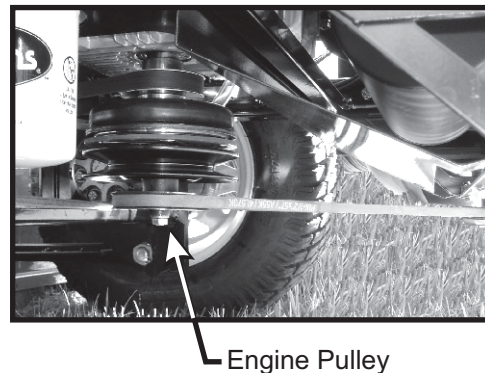


Figure 2-9b



## 2-10 Cam Assembly Adjustment

The cam assembly P#(A0422), which controls the blower belt tension, comes from the factory pre-adjusted. If the belt is too tight or becomes too loose, remove the hair pin clip P#(K0099) from the belt tension rod P#(K0326) and pull the "L" end of the rod out of its hole in the cam assembly. The tension rod may then be screwed out to tighten the belt or screwed in to loosen the belt. Replace the "L" end into the top hole in the cam and replace the hair pin clip. Adjust the cam stop bolt P#(K1159) to allow the cam to rotate slightly over center when the blower is disengaged (Figure 2-10).

Figure 2-10

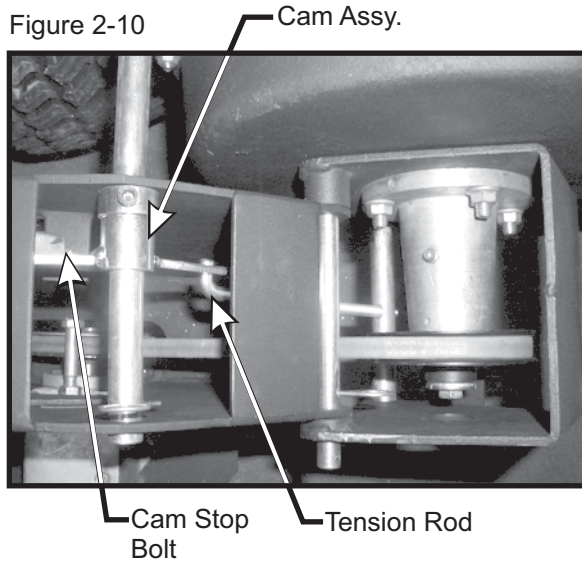


Figure 2-11a

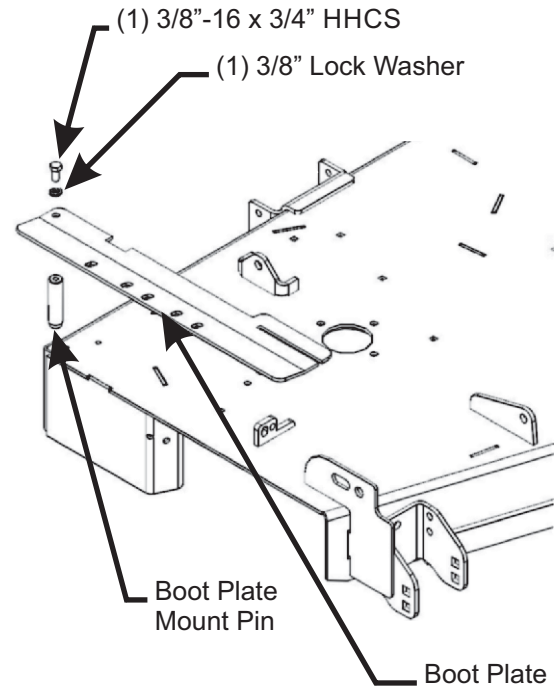
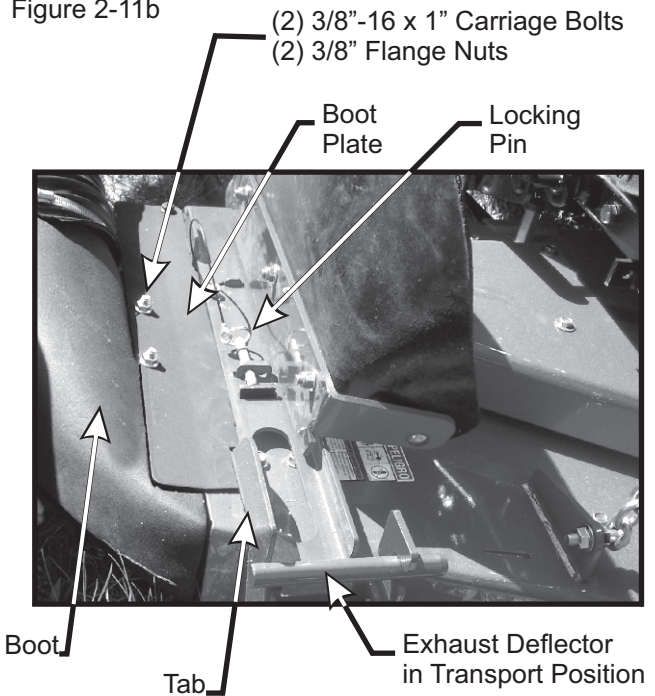


Figure 2-11b



## 2-11 Boot Installation

First, remove the deflector shield by pulling out the locking pin and lifting the shield out of deck mount tube.

To install the boot to the mower deck, attach the boot plate mount pin P#(B0274) to the boot plate P#(B0285) using (1) 3/8"-16 x 3/4" HHCS P#(K1190) and (1) 3/8"-16 lock washer P#(K0048) See figure 2-11a. Next, loosely fasten the boot P#(E1125) to boot plate using (2) 3/8"-16 x 1" carriage bolts P#(K1182) and (2) 3/8"-16 flange nuts (P#K1215) with the head of the bolts placed from the inside of the boot. Insert the boot plate mount pin into the deck mount tube and slide the slot of the boot plate over the tab at the top of the discharge opening. Place the deflector shield in the transport position on top of the boot plate. Replace the locking pin. Adjust the boot to fit securely against the discharge opening and tighten the (2) 3/8"-16 flange nuts. See figure 2-11b for clarity.

**Note:** When bolting the boot and boot plate together, the head of the bolt is placed from the inside of the boot. This will prevent grass from collecting on the bolts.

**Note:** The Mower's Deflector Shield Has Been Removed In The Following Photo For Clarity. Always have the deflector shield mounted when mowing.

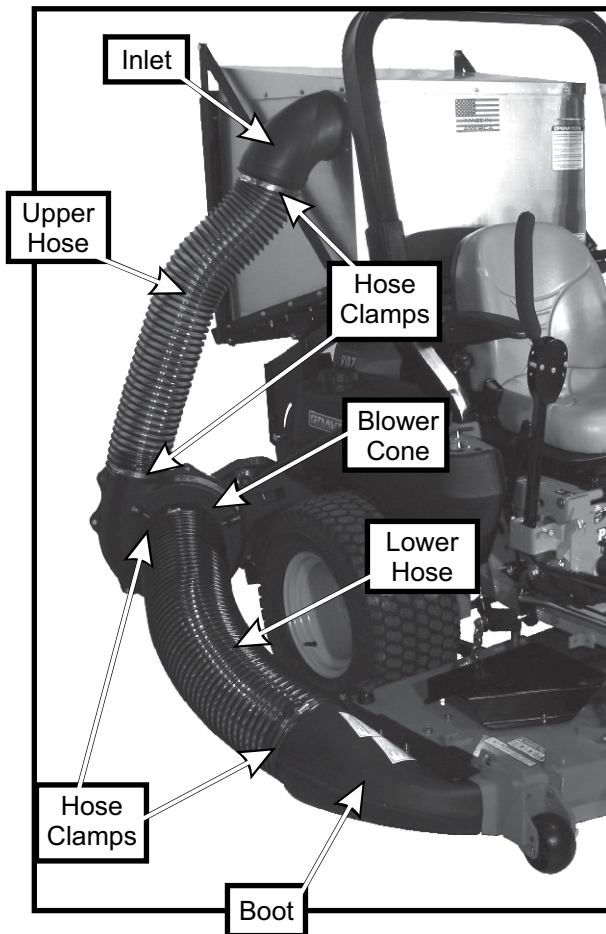
## 2-12 The Length Of The Hose Adjustment

The hoses in steps 2-13 and 2-14 must be cut to fit your machine. Follow steps 2-13 and 2-14. Do not cut the hoses until you have tried to fit them on your machine. Remember that the hoses have to be long enough to allow for enough clamping surface between the inlet, blower assembly, and the deck boot.

## 2-13 Upper Hose Installation

Slide a 5"-6" upper hose clamp P#(J0060) onto both ends of the 6" upper hose (Figure 2-13). Then slide one end of the 6" hose onto the inlet. Make sure there is about a two-inch overlap between the hose end and the container inlet. Proceed to slide the opposite end of the 6" hose onto the outlet of the blower assembly. See Figure 2-13 for details. Make sure both ends of the hose are clearly attached to the inlet and the blower assembly inlet. Tighten the hose clamps.

Figure 2-13



## 2-14 Lower Hose To Blower Cone Installation

Slide a 7"-8" hose clamp P#(J0080) over both ends of the lower hose. Then proceed to slide the lower hose onto the blower cone. Tighten the hose clamp. The assembly should look like Figure 2-13.

## 2-15 Lower Hose To Boot Installation

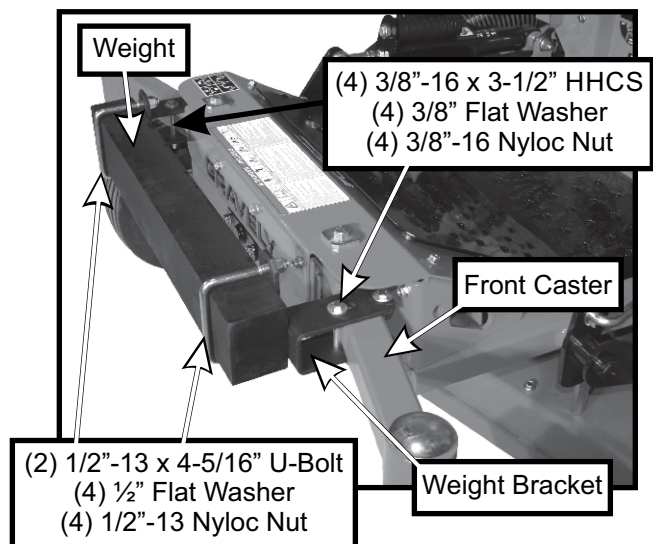
Take the unattached end of the lower hose and slide it over the circular end of the boot. Use the lower hose clamp to secure the hose to the boot (Figure 2-13). Tip: Before securing clamp rotate hose counter-clockwise (away from yourself) approximately 1" to add in retaining boot to mower deck.

## 2-16 Front Weight Assembly

**NOTE:** Use a floor jack or have someone assist you in positioning the front weight.

Slide the left and right weight brackets P#(B0383) over the front casters. Secure each weight bracket to the caster using (2) 3/8"-16 x 3/12" HHCS P#(K1200), (2) 3/8" flat washer P#(K0047), and (2) 3/8"-16 nyloc nuts P#(K1216) PER BRACKET. Position the front weight as shown in Figure 2-16, and secure the weight to the weight brackets using (2) 1/2"-13 x 4-5/16" u-bolts P#(K0331), (4) 1/2" flat washers P#(K0055), and (4) 1/2"-13 nyloc nuts P#(K1247).

Figure 2-16





## 2-17 Blower Cone Installation

Thread (1) 5/16"-18 jam nut P#(K0120) onto each end of (2) 5/16"-18 x 2-1/2" HHCS P#(K0125). Now partially thread the bolts into each of the two tabs located on the blower housing. Place blower cone so the two tabs line up with the bolts then tighten completely. See Figure 2-17.

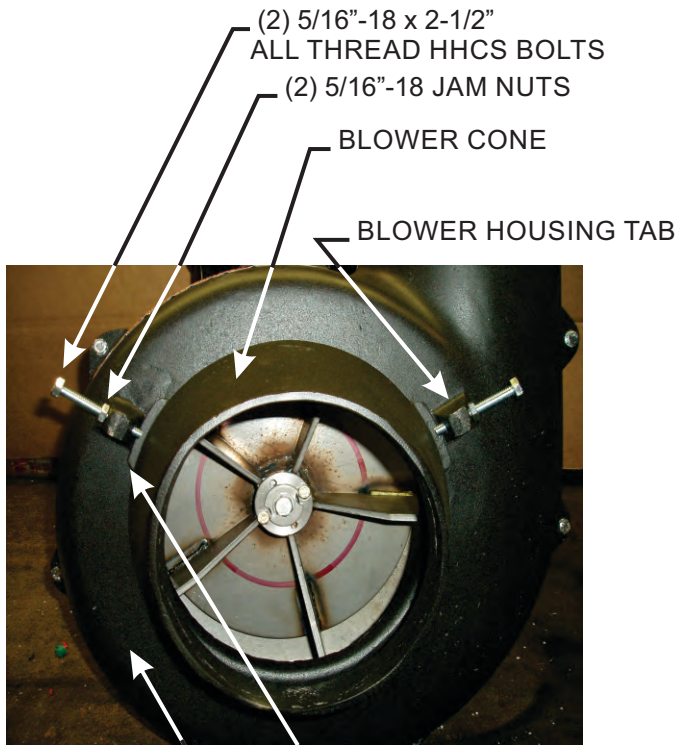


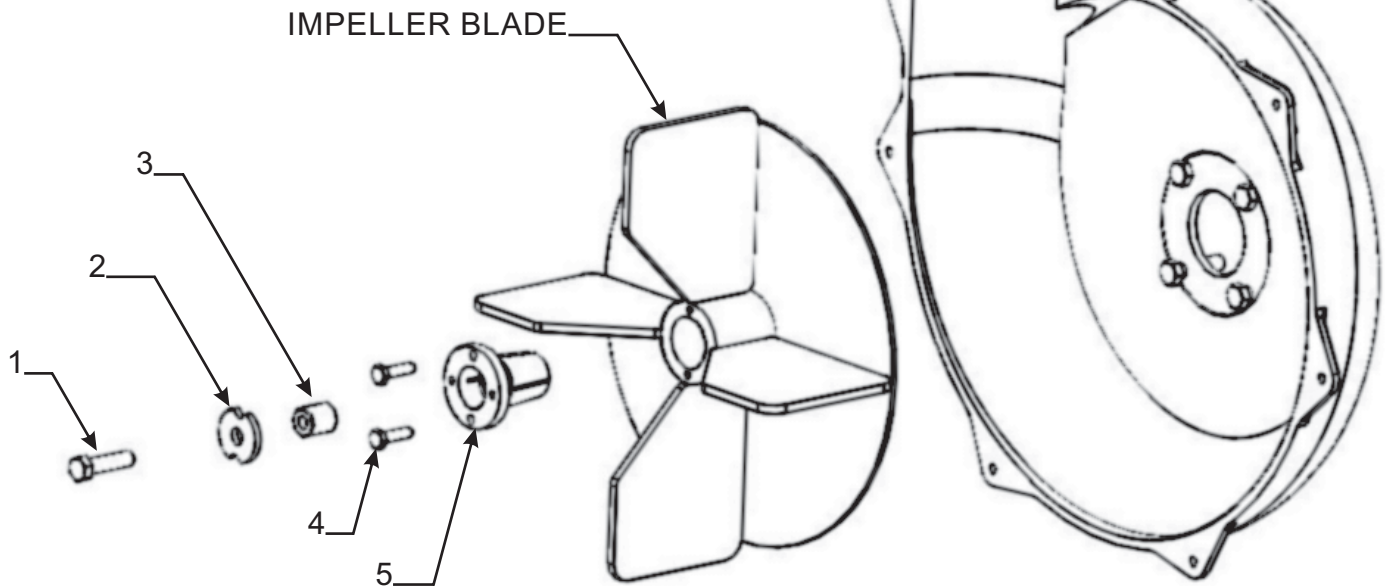
Figure 2-17.

## 2-18 Impeller Blade Removal/Replacement

**To Remove:** First remove the center bolt (#1), washer (#2) and spacer (#3) from the taper-lock bushing (#5). See Figure 2-18. Next remove the (2) 1/4"-20 bolts (#4) and place them into the threaded holes of the taper-lock bushing (next to the holes they were removed from). Gradually thread each bolt evenly into the taper-lock bushing, forcing the blade to break-away from the taper-lock bushing. If the impeller will not move, hit the base of the impeller, between each vein, with a hammer, then try again.

**To Replace:** Place impeller blade over the engine shaft. Slide the taper-lock bushing on to the engine shaft and into the impeller blade, aligning the **non-threaded** holes of the taper-lock bushing to the threaded holes of the impeller blade. Fasten by using (2) 1/4"-20 HHCS grade #8 bolts, (1) spacer washer and (1) HHCS bolt w/ washer. Torque to the proper specifications in the torque chart on the back of this manual. Next, rotate the impeller blade to insure that the blade is clear of contact on all sides of the blower housing.

Figure 2-18.



## 2-19 Final Checks

To check the operation of the safety interlock harness perform the following:

- A. Start mower
- B. While seated in the operator's seat, rotate the engagement handle of the collection system away from the mower.
- C. With the blower engaged, stand up from the operator's seat. This action will shut off the mower which verifies proper installation of the harness.
- D. Check the mower's safety interlock, see mower's manual for more detail.

**NOTE:** If the mower does not shut off, turn off mower and refer to page 6 to verify proper installation of the harness. If problem persists contact your local dealer.

# SECTION III OPERATING INSTRUCTIONS

## 3-1 General Safety

Only qualified people familiar with this operator's manual and the mower's operator's manual should operate this machine.

## 3-2 Operation And Tips On Mowing

- A. Perform BEFORE EACH USE maintenance list in paragraph 4-1.
- B. Start mower.
- C. With the mower at high idle speed, engage the mower deck.
- D. While seated in the operator's seat, rotate the engagement handle of the collection system away from the mower. Continue to rotate the handle until it stops in an over center position. With the blower engaged, you can proceed to operate the control levers of the mower.

**NOTE:** If the collection system does not appear to be collecting the grass clippings; disengage the deck, and blower, engage the parking brake and turn the mower off. Proceed to section 3-3, and review the section 2-9, in this manual.

To obtain the maximum effectiveness from your collection system the tips listed below should be followed:

- \* Watch your speed- Normal conditions will allow a speed of up to approximately 5 mph, but thick, heavy damp conditions will require reduced ground speed.
- \* Mow with sharp blades- A sharp blade cuts cleaner.
- \* Wet grass and leaves will decrease effectiveness and will increase horsepower requirements.
- \* Mow at higher cutting heights- Remove and mulch no more than 2" of grass length with each mowing. (Experts recommend not cutting off more than 1/3 of the grass blade length at any given time.)

- \* Mow twice, at different height settings, (high, then low), if grass is extra tall.
- \* Remember that horsepower requirements will vary with the mowing conditions such as type and height of turf grass, moisture content, amount of leaves, whether the terrain is flat or hilly, etc.

## 3-3 Disengagement Of The Blower

- A. To disengage the blower, rotate the engagement handle towards the mower.

**WARNING:** The blower will continue to spin. DO NOT TOUCH the blower, pulleys, or the belt until the tractor is turned off. DO NOT adjust the belt tension until the mower is turned off. Refer to section 2-9 of the manual.

## 3-4 Unloading The Collection System

**NOTE:** Press the tab, located behind the operator's left side, downward to feel if the collection system is full. If the container is full there will be resistance when depressing the tab.

- A. Stop the forward movement of the mower.
- B. Disengage the mower deck.
- C. Disengage the blower.
- D. Verify that the dump area is clear.
- E. Push the dump handle, on the left of the operator, away from the unit. While holding the handle pushed away, move the handle upward. The container door will swing upward and the container will rotate downward. The container will release its contents.
- F. Once the contents of the container have fallen out, the container is ready to move back into its normal operating position. With the handle in the 'away' position, pull the handle downward until it stops. Move the handle towards the center of the mower. This motion will allow the latch to lock back into collection position.

**NOTE:** If you do not hold the handle away from the mower as you pull the handle downward, the latch will not lock and the container can unexpectedly release the contents collected.

# SECTION IV MAINTENANCE

## 4-1 Maintenance Checklist

Before each use:

1. Check blades and spindles to be sure that no foreign objects, such as wire or steel strapping bands, are wrapped around them.
2. Inspect blades for wear. Replace if necessary. If it is necessary to sharpen the blades, remove the blades from the spindles before sharpening. DO NOT sharpen blades while still attached to the mower.

## SECTION V PARTS AND SERVICE

3. Make sure all shields are in place and in good condition. Repair or replace any missing or damaged shields.
4. Perform lubrication per paragraph 4-2.
5. Listen for abnormal sounds, which might indicate loose parts, damaged bearings, or other damage. Correct any deficiency before continuing operation.
6. With the engine off, engage the blower assembly. Check the belt tension and inspect the pulley belt for cracks or tears.
7. Check for wear or deterioration of the upper or lower hoses. If there are any portions of the hose that have been torn or worn through, replace with genuine PECO parts.

After Each Use:

1. Clean all debris from machine especially from the container, underneath the belt shields, and off of safety decals. Replace any missing or illegible decals.
2. Inspect the unit for worn or damaged components. Repair or replace before the next use. Any replacement component installed during repair shall include the component's current safety decal specified by the manufacturers to be affixed to the component.
3. Check belt for proper tension.

### 4-2 Lubrication

**NOTE:** Use only white lithium base grease for lubrication of the shaft on the blower assembly.

1. On initial use: Grease the fitting on the blower shaft.
2. Every 25 hours of use: Re-grease the grease fitting.
3. Every 200 hours of use: Check oil levels in gear box. Oil in gear box should cover the gears. If not, fill using an EP90 weight oil. 6oz. will fill the gear box from empty.

### 5-1 Parts And Service Information

PECO collection system owners should record the name and telephone number of their Service Center. Your Service Center will be happy to supply replacement parts, accessories, and do any service or repairs to your collection system. If for any reason your Service Center is unable to service your collection system or supply replacement parts, contact PECO and include the following information on the chart below.

THE SERIAL NUMBER PLATE IS LOCATED ON THE ALUMINUM BOX NEAR THE DUMP HANDLE

<b>PECO</b>	
<b>OUTDOOR POWER EQUIPMENT</b>	
<b>Model Number</b>	<input style="width: 80%;" type="text"/>
<b>Serial Number</b>	<input style="width: 80%;" type="text"/>
<b>Arden, North Carolina 28704</b>	

WRITE THE MODEL AND SERIAL NUMBER IN THE BOX ABOVE FOR FUTURE REFERENCE.

**Unit Model Number:** \_\_\_\_\_

**Unit Serial Number:** \_\_\_\_\_

**Date of purchase:** \_\_\_\_/\_\_\_\_/\_\_\_\_

**Dealer/Distributor Name:** \_\_\_\_\_

**Dealer's/Distributor's:** \_\_\_\_\_ **State:** \_\_\_\_\_ **Zip:** \_\_\_\_\_

**Phone Number:** \_\_\_\_\_

# SAFETY DECALS

To promote safe operation, PECO supplies safety decals on all products manufactured. Damage can occur to safety decals either through shipment, use or reconditioning. Contact your local Service Center for replacement decals.



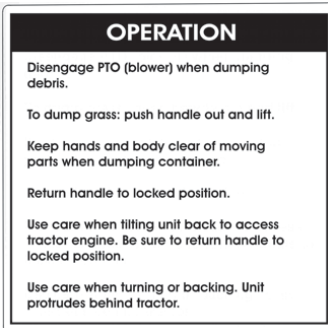
Part #: R4027



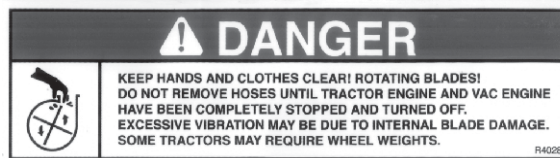
Part #: R1069



Part #: R1053



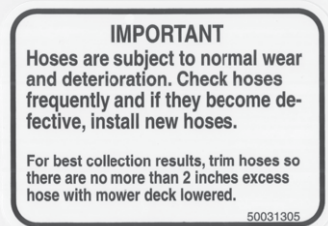
Part #: R1049



Part #: R4028



Part #: R1057



Part #: R1054



Part #: R1055



Part #: R4015



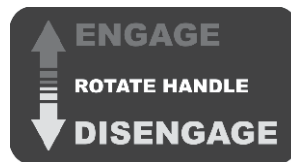
Part #: R4037



Part #: R1052



Part #: R1065



Part #: R1083



Part #: R4008



Part #: R1051

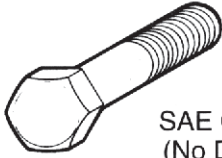


Part #: R1070

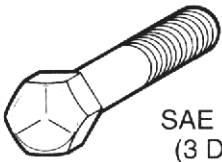
# TORQUE SPECIFICATIONS

Proper torque for American fasteners used on Gravely equipment.  
Recommended Torque in Foot Pounds (Newton Meters).\*

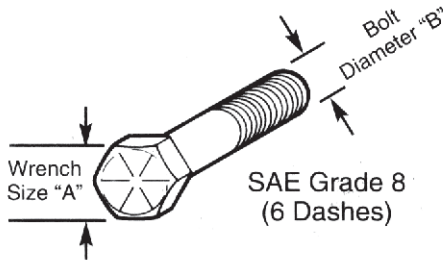
## AMERICAN Bolt Head Markings



SAE Grade 2  
(No Dashes)



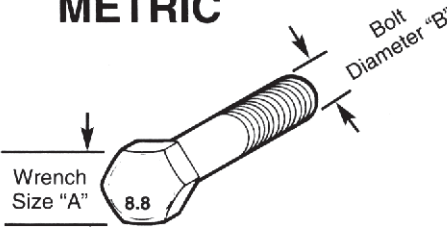
SAE Grade 5  
(3 Dashes)



SAE Grade 8  
(6 Dashes)

WRENCH SIZE (IN.) "A"	BOLT DIAMETER (IN.) "B" AND THREAD SIZE	SAE GRADE 2	SAE GRADE 5	SAE GRADE 8
7/16	1/4 - 20 UNC	6 (7)	8 (11)	12 (16)
7/16	1/4 - 28 UNF	6 (8)	10 (13)	14 (18)
1/2	5/16 - 18 UNC	11 (15)	17 (23)	25 (33)
1/2	5/16 - 24 UNF	13 (17)	19 (26)	27 (37)
9/16	3/8 - 16 UNC	20 (27)	31 (42)	44 (60)
9/16	3/8 - 24 UNF	23 (31)	35 (47)	49 (66)
5/8	7/16 - 14 UNC	32 (43)	49 (66)	70 (95)
5/8	7/16 - 20 UNF	36 (49)	55 (75)	78 (106)
3/4	1/2 - 13 UNC	49 (66)	76 (103)	106 (144)
3/4	1/2 - 20 UNF	55 (75)	85 (115)	120 (163)
7/8	9/16 - 12 UNC	70 (95)	109 (148)	153 (207)
7/8	9/16 - 18 UNF	79 (107)	122 (165)	172 (233)
15/16	5/8 - 11 UNC	97 (131)	150 (203)	212 (287)
15/16	5/8 - 18 UNF	110 (149)	170 (230)	240 (325)
1-1/8	3/4 - 10 UNC	144 (195)	266 (360)	376 (509)
1-1/8	3/4 - 16 UNF	192 (260)	297 (402)	420 (569)
1-5/16	7/8 - 9 UNC	166 (225)	430 (583)	606 (821)
1-5/16	7/8 - 14 UNF	184 (249)	474 (642)	668 (905)
1-1/2	1 - 8 UNC	250 (339)	644 (873)	909 (1232)
1-1/2	1 - 12 UNF	274 (371)	705 (955)	995 (1348)
1-1/2	1 - 14 UNF	280 (379)	721 (977)	1019 (1381)
1-11/16	1-1/8 - 7 UNC	354 (480)	795 (1077)	1288(1745)
1-11/16	1-1/8 - 12 UNF	397 (538)	890 (1206)	1444 (1957)
1-7/8	1-1/4 - 7 UNC	500 (678)	1120 (1518)	1817 (2462)
1-7/8	1-1/4 - 12 UNF	553 (749)	1241 (1682)	2013 (2728)
2-1/16	1-3/8 - 6 UNC	655 (887)	1470 (1992)	2382 (3228)
2-1/16	1-3/8 - 12 UNF	746 (1011)	1672 (2266)	2712 (3675)
2-1/4	1-1/2 - 6 UNC	870 (1179)	1950 (2642)	3161 (4283)
2-1/4	1-1/2 - 12 UNF	979 (1327)	2194 (2973)	3557 (4820)

## METRIC



Numbers appearing on bolt heads indicate ASTM class.

Proper torque for metric fasteners used on Gravely equipment.  
Recommended torque in foot pounds (newton Meters).\*

WRENCH SIZE (mm) "A"	BOLT DIA. (mm) "B"	ASTM 4.6	ASTM 8.8	ASTM 9.8	ASTM 10.9
8	5	1.8 (2.4)		5.1 (6.9)	6.5 (8.8)
10	6	3 (4)		8.7 (12)	11.1 (15)
13	8	7.3 (10)		21.1 (29)	27 (37)
16	10	14.5 (20)		42 (57)	53 (72)
18	12	25 (34)	74 (100)	73 (99)	93 (126)
21	14	40 (54)	118 (160)	116 (157)	148 (201)
24	16	62 (84)	167 (226)	181 (245)	230 (312)
30	20	122 (165)	325 (440)		449 (608)
33	22		443 (600)		611 (828)
36	24	211 (286)	563 (763)		778 (1054)
41	27		821 (1112)		1138 (1542)
46	30	418 (566)	1119 (1516)		1547 (2096)

\*Use 75% of the specified torque value for plated fasteners. Use 85% of the specified torque values for lubricated fasteners.



**10 WALDEN DRIVE  
ARDEN, NORTH CAROLINA 28704  
(800) 438-5823 OR (828) 684-1234 FAX: (828) 684-0858  
EMAIL: [peco@lawnvac.com](mailto:peco@lawnvac.com)  
WEBSITE: [www.lawnvac.com](http://www.lawnvac.com)**