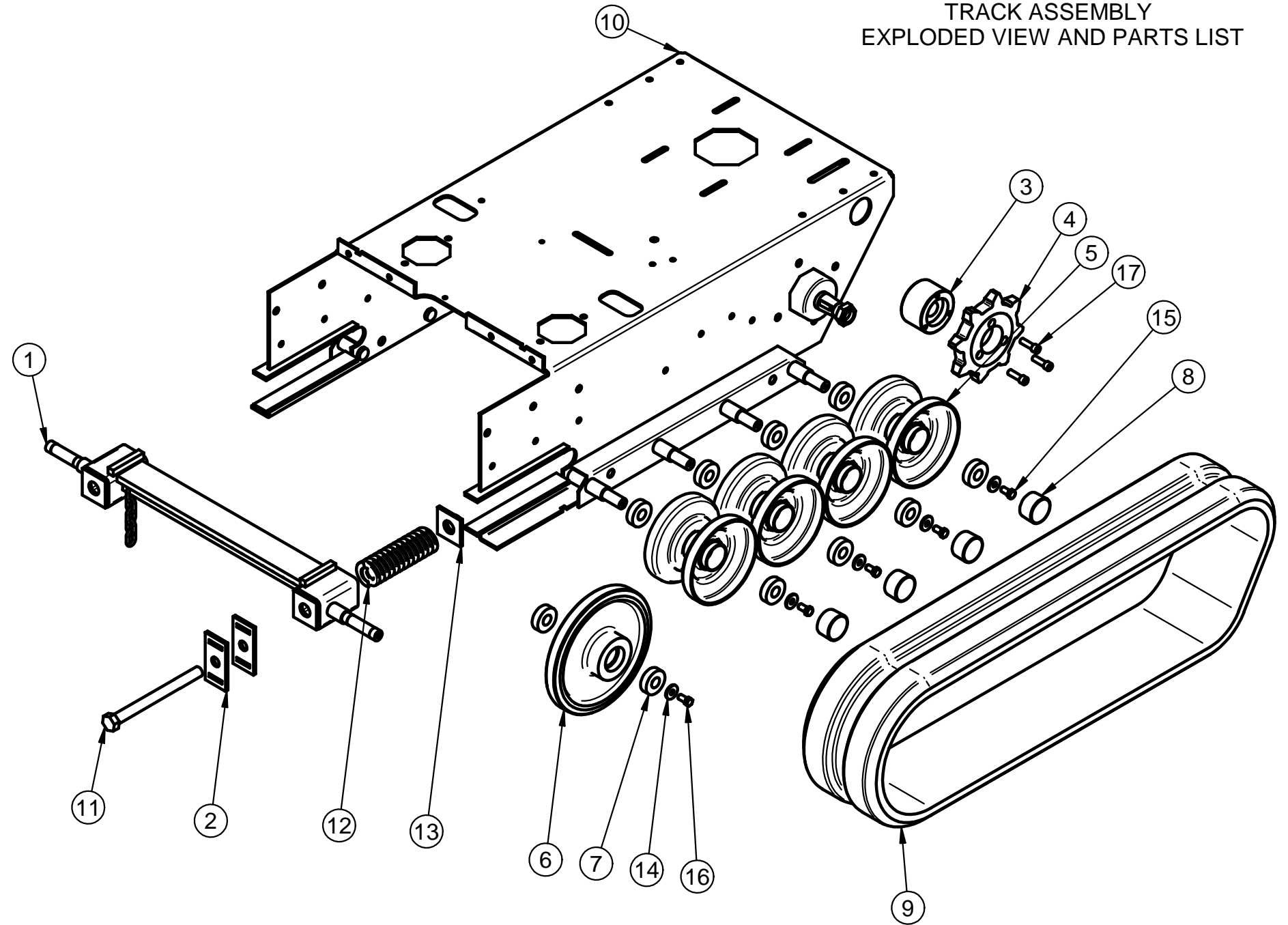


TRACK ASSEMBLY  
EXPLODED VIEW AND PARTS LIST

Item#	Part#	Title	Quantity
1	TBB-0007	SPRING HSG. ASSY.	1
2	TBB2-0040	SPRING HSG. TAKE-UP PL.	2
3	TBB-0139	SPROCKET HUB	1
4	TBB-0126	DRIVE SPROCKET	1
5	TBB-0157	IDLER WHEEL ASSY.	4
6	TBB-0188	FRONT AXLE WHEEL	1
7	N0151	IDLER WHEEL BRG.	2
8	V1007	IDLER WHEEL END CAP	4
9	H1043	RUBBER TRACK	1
10	TBB-0129	CHASSIS ASSY.	1
11	K0307	3/4"-10 x 8-1/2" HHCS	1
12	J0257	HEAVY DUTY DIE SPRING	1
13	TBB-0224	SPRING TENSION NUT ASSY.	1
14	S0175	WHEEL WASHER	5
15	K1190	3/8"-16 x 3/4" HHCS	4
16	K0340	3/8"-24 X 3/4" HHCS G5	1
17	K0309	3/8"-16 x 1" SHCS	3



REVISIONS:	NEXT RT:		CUT SIZE:		#: <b>TBB-3000</b>	
	RT:	OPER:	LOC:	REQUIRED:		DESC: TRACK ASSEMBLY
	1	*		MTL:		DATE: 2/1/2007 SHEET 1 OF 1
	2	*		USED ON:		REV:      MODIFIED DATE: 3/22/2008
	3	*		TYPE/MODEL: BRUSH BLAZER		WEIGHT: N/A
	4	*		*	DRAWN BY: Patrick	
	5	*		UNLESS OTHERWISE SPECIFIED	APPR BY:	
LOCATION:	UNITS: INCH		ANGLES ±0.5°    2 PL ±0.010 3 PL ±0.005		<b>PECO</b>	