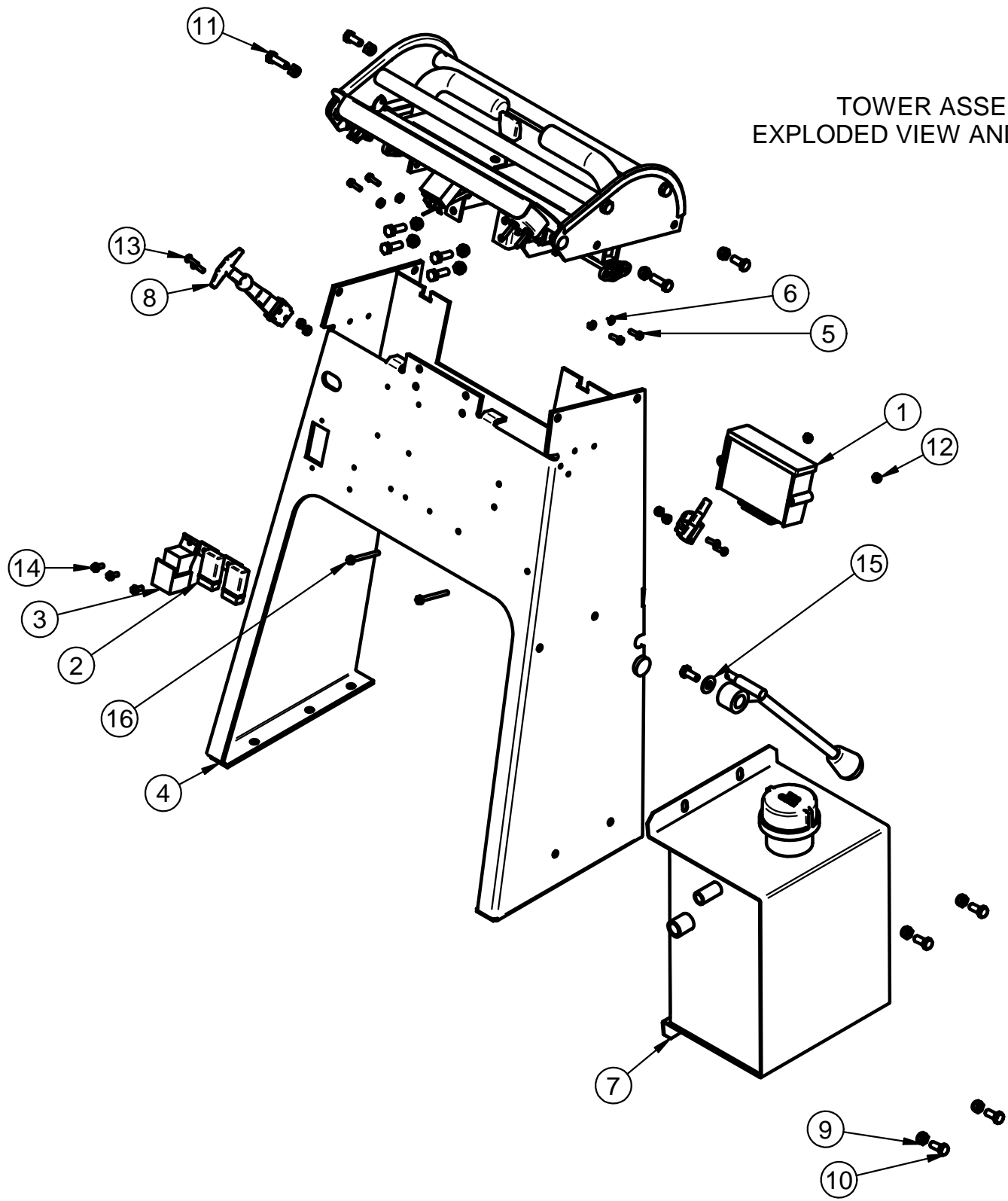


TOWER ASSEMBLY
EXPLODED VIEW AND PARTS LIST

Item#	Part#	Title	Quantity
1	P0184	ENGINE COMPUTER	1
2	P0187	FUSE BLOCK	2
3	P0188	RELAY	1
4	TBB2-0047	TOWER ASSY.	1
5	K0393	10-24 x 5/8" HWHSMS	4
6	K0394	10-24 HEX NUT WITH SERRATED WASHER	4
7	TBB-0042	HYDRO TANK ASSY.	1
8	J0240	DRAW LATCH	2
9	K1180	5/16"-18 NYLOC NUT	12
10	K1153	5/16"-18 x 3/4" HHCS	5
11	K1154	5/16"-18 x 1" HHCS	8
12	K1068	10-24 NYLOC NUT	6
13	K0237	10-24 x 5/8" PSLMS	4
14	K0354	10-24 x 1/2" HHSTS	3
15	K0042	5/16" FLAT WASHER .875 OD x .380 ID x .075 T	1
16	K0019	10-24 x 2" SLOTTED HEX SCREW	2



REVISIONS:	NEXT RT:		CUT SIZE:		#: TBB-3000	
	RT:	OPER:	LOC:	REQUIRED:		DESC: TOWER ASSEMBLY
	1	*		MTL:		DATE: 2/1/2007 SHEET 1 OF 1
	2	*		USED ON:		REV: MODIFIED DATE: 3/22/2008
	3	*		TYPE/MODEL: BRUSH BLAZER		WEIGHT: N/A
	4	*		*	DRAWN BY: Patrick	
	5	*		UNLESS OTHERWISE SPECIFIED	APPR BY:	
LOCATION:	UNITS: INCH		ANGLES ±0.5° 2 PL ±0.010 3 PL ±0.005		PECO	