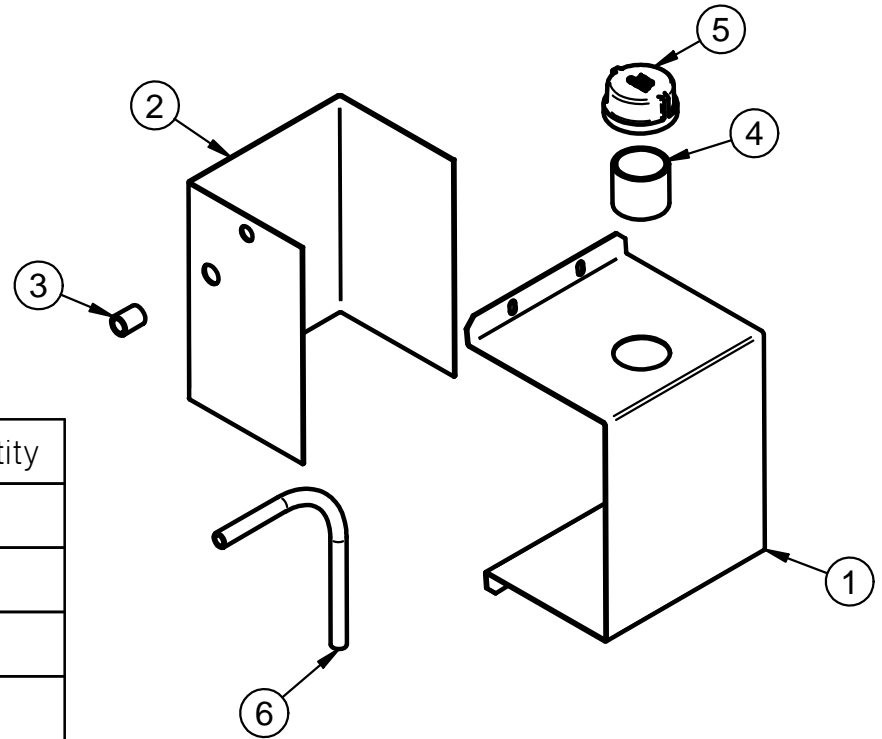


HYDRAULIC TANK ASSEMBLY  
EXPLODED VIEW AND PARTS LIST



Item#	Part#	Title	Quantity
1	TBB-0043	HYDRO TANK T,B,S	1
2	TBB-0044	HYDRO TANK SIDES & BACK	1
3	S0203	3/8" NPT BLACK IRON COUPLER	1
4	TBB-0046	HYDRO TANK FILLER	1
5	U0026	HYDRO TANK FILLER CAP	1
6	TBB-0101	HYDRO TANK SUCTION TUBE	1

REVISIONS:

NEXT RT:			CUT SIZE:
RT:	OPER:	LOC:	REQUIRED:
1	*		MTL:
2	*		USED ON:
3	*		TYPE/MODEL: BRUSH BLAZER
4	*		*
5	*		UNLESS OTHERWISE SPECIFIED
UNITS: INCH			ANGLES ±0.5° 2 PL ±0.010 3 PL ±0.005

**#: TBB-3000**

DESC: HYDRAULIC TANK ASSEMBLY	
DATE: 2/1/2007	SHEET 1 OF 1
REV:	MODIFIED DATE: 3/22/2008
WEIGHT: N/A	
DRAWN BY: Patrick	<b>PECO</b>
APPR BY:	

LOCATION: