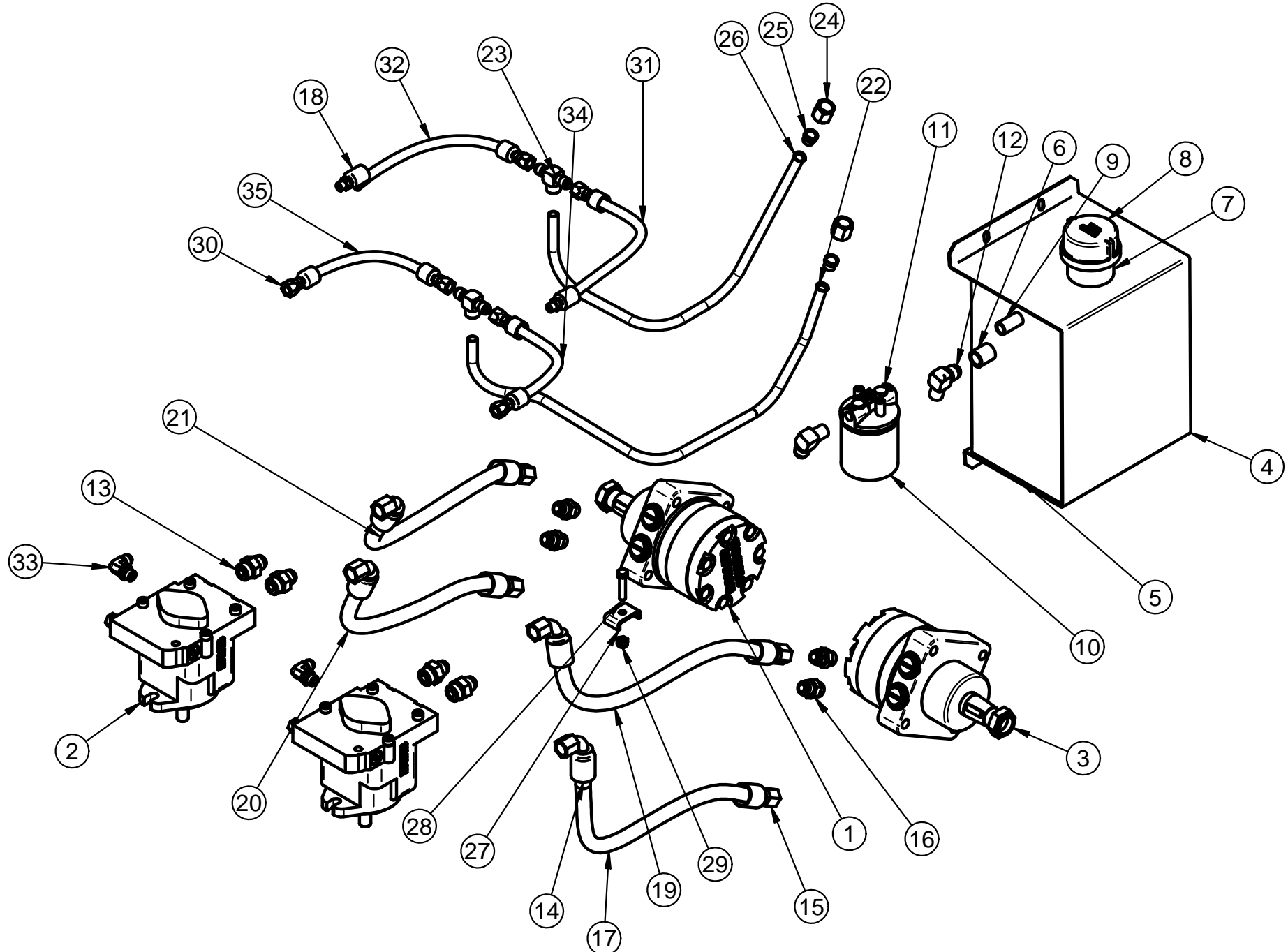


Item#	Part#	Title	Quantity
1	U0070	RIGHT HYDRO MOTOR - 501	1
2	U0032	HYDRO PUMP	2
3	U0069	LEFT HYDRO MOTOR - 500	1
4	TBB-0043	HYDRO TANK T,B,S	1
5	TBB-0044	HYDRO TANK SIDES & BACK	1
6	S0203	3/8" NPT BLACK IRON COUPLER	1
7	TBB-0046	HYDRO TANK FILLER	1
8	U0026	HYDRO TANK FILLER CAP	1
9	TBB-0101	HYDRO TANK SUCTION TUBE	1
10	U0030	ZINGA OIL FILTER	1
11	U0031	OIL FILTER CAP	1
12	U0085	90 MALE ELBOW FITTING	2
13	U0038	3/4" STRAIGHT THREAD CONNECTOR	4
14	U0050	1/2" 90 ELBOW	4
15	U0049	1/2" CRIMP FITTING FEMALE	4
16	U0039	3/4" STRAIGHT THREAD CONNECTOR	4
17	U0091	1/2" x 18" HYDRAULIC HOSE	1
18	U0043	1/4" MALE CRIMP FITTING	2
19	U0092	1/2" x 18" HYDRAULIC HOSE	1
20	U0093	1/2" x 17-1/2" HYDRAULIC HOSE	1
21	U0094	1/2" x 17-1/2" HYDRAULIC HOSE	1
22	U0090	HYDRAULIC RETURN LINE	1
23	U0084	TEE FITTING	2
24	U0087	TUBE NUT	2
25	U0088	TUBE SLEEVE	2
26	U0089	HYDRAULIC FLOW LINE	1
27	TBB2-0071	HYDRO LINE CLAMP	1
28	K1157	5/16"-18 x 1-1/2" ALL THREAD HHCS	1
29	K1180	5/16"-18 NYLOC NUT	1
30	U0044	3/8" CRIMP FITTING	6
31	U0095	1/4" x 10" HYDRAULIC HOSE	1
32	U0096	1/4" x 10" HYDRAULIC HOSE	1
33	U0042	STRAIGHT THREAD 90 ELBOW	2
34	U0097	1/4" x 8-1/4" HYDRAULIC HOSE	1
35	U0098	1/4" x 8-1/4" HYDRAULIC HOSE	1

HYDRAULIC SYSTEM
EXPLODED VIEW AND PARTS LIST



REVISIONS:	NEXT RT:		CUT SIZE:		#: TBB-3000	
	RT:	OPER:	LOC:	REQUIRED:		DESC: HYDRAULIC SYSTEM
	1	*		MTL:		DATE: 2/1/2007 SHEET 1 OF 1
	2	*		USED ON:		REV: MODIFIED DATE: 3/22/2008
	3	*		TYPE/MODEL: BRUSH BLAZER		WEIGHT: N/A
4	*		*	DRAWN BY: Patrick	PECO	
5	*		UNLESS OTHERWISE SPECIFIED	APPR BY:		
LOCATION:	UNITS: INCH		ANGLES ±0.5° 2 PL ±0.010 3 PL ±0.005			