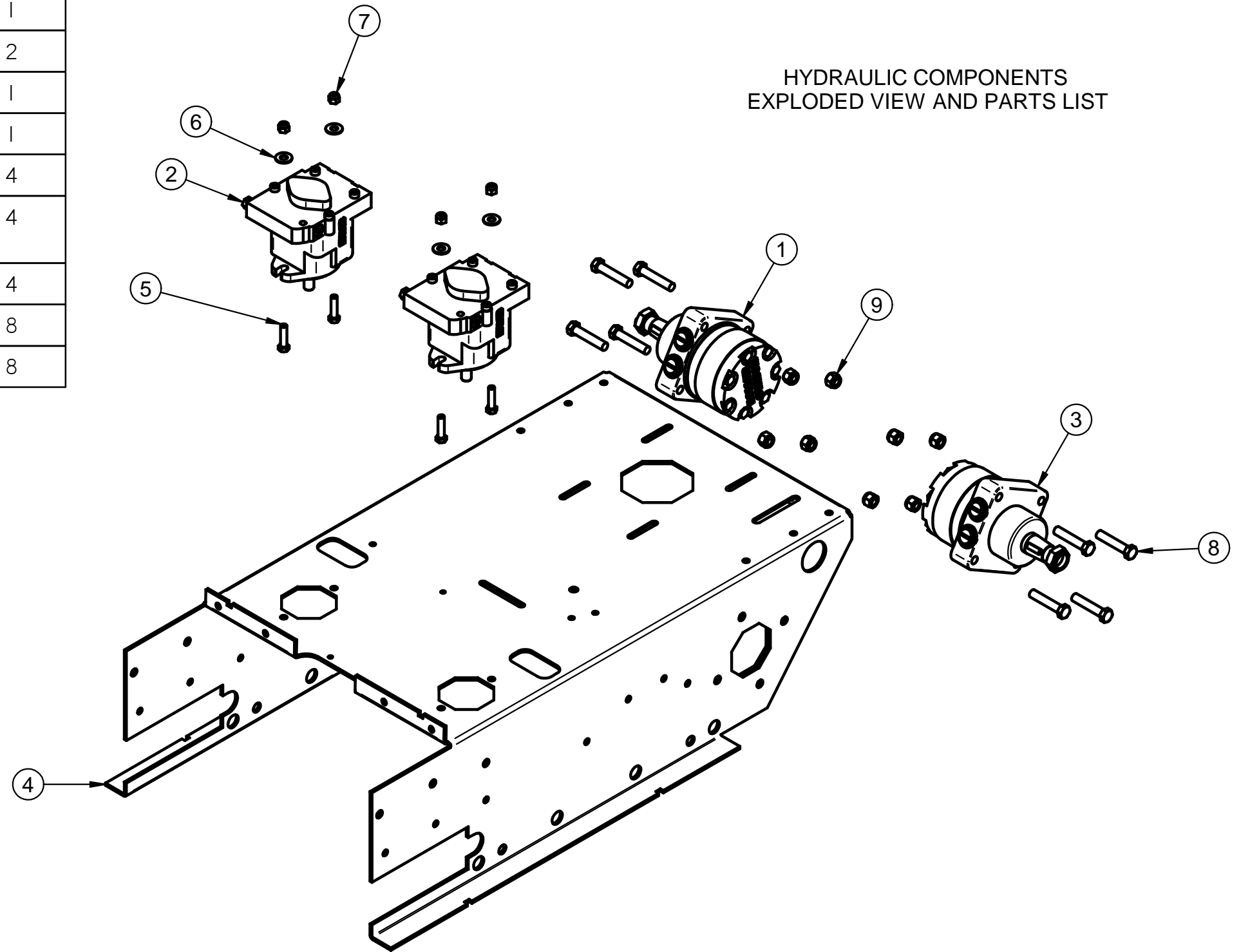


Item#	Part#	Title	Quantity
1	U0070	RIGHT HYDRO MOTOR - 501	1
2	U0032	HYDRO PUMP	2
3	U0069	LEFT HYDRO MOTOR - 500	1
4	TBB-0129	CHASSIS ASSY.	1
5	KI337	3/8"-16 x 2-1/4" HHCS	4
6	K0047	3/8" FLAT WASHER 1.00 OD x .446 ID x .075 T	4
7	KI216	3/8"-16 NYLOC NUT	4
8	KI317	1/2"-13 x 2-1/4" HHCS	8
9	KI247	1/2"-13 NYLOC NUT	8



REVISIONS:	NEXT RT:		CUT SIZE:		<b>#: TBB-3000</b>	
	RT:	OPER:	LOC:	REQUIRED:		DESC: HYDRAULIC COMPONENTS
	1	*			MTL:	DATE: 2/1/2007 SHEET 1 OF 1
	2	*			USED ON:	REV:      MODIFIED DATE: 3/22/2008
	3	*			TYPE/MODEL: BRUSH BLAZER	WEIGHT: N/A
4	*			*	DRAWN BY: Patrick	
5	*			UNLESS OTHERWISE SPECIFIED	APPR BY:	
LOCATION:	UNITS: INCH		ANGLES ±0.5°    2 PL ±0.010 3 PL ±0.005		<b>PECO</b>	