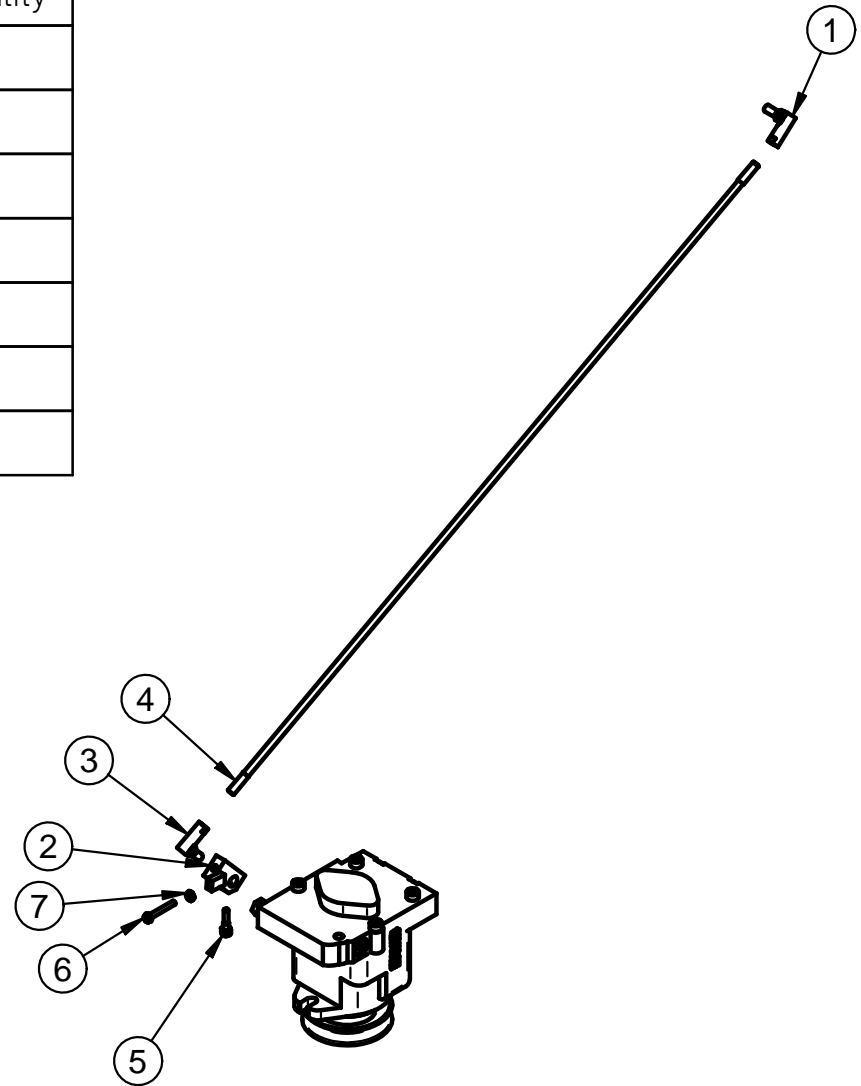


Item#	Part#	Title	Quantity
1	KI442	BALL JOINT 5/16"-24 RH THD.	1
2	TBB2-0051	FRS PIVOT BLOCK ASSY.	1
3	K0390	BALL JOINT 5/16"-24 LH THD.	1
4	TBB2-0046	FRS ROD	1
5	TBB-0062	CAM LEVER LOCK SCREW	1
6	K0145	10-24 x 1-1/2" MACHINE SCREW	1
7	K0391	10-24 HEX NUT	1

FRS ROD ASSEMBLY  
EXPLODED VIEW AND PARTS LIST



REVISIONS:

NEXT RT:			CUT SIZE:
RT:	OPER:	LOC:	REQUIRED:
1	*		MTL:
2	*		USED ON:
3	*		TYPE/MODEL: BRUSH BLAZER
4	*		*
5	*		UNLESS OTHERWISE SPECIFIED
UNITS: INCH			ANGLES $\pm 0.5^\circ$ 2 PL $\pm 0.010$ 3 PL $\pm 0.005$

**#: TBB-3000**

DESC: FRS ROD ASSEMBLY	
DATE: 2/1/2007	SHEET 1 OF 1
REV:	MODIFIED DATE: 3/22/2008
WEIGHT: N/A	
DRAWN BY: Patrick	<b>PECO</b>
APPR BY:	

LOCATION: