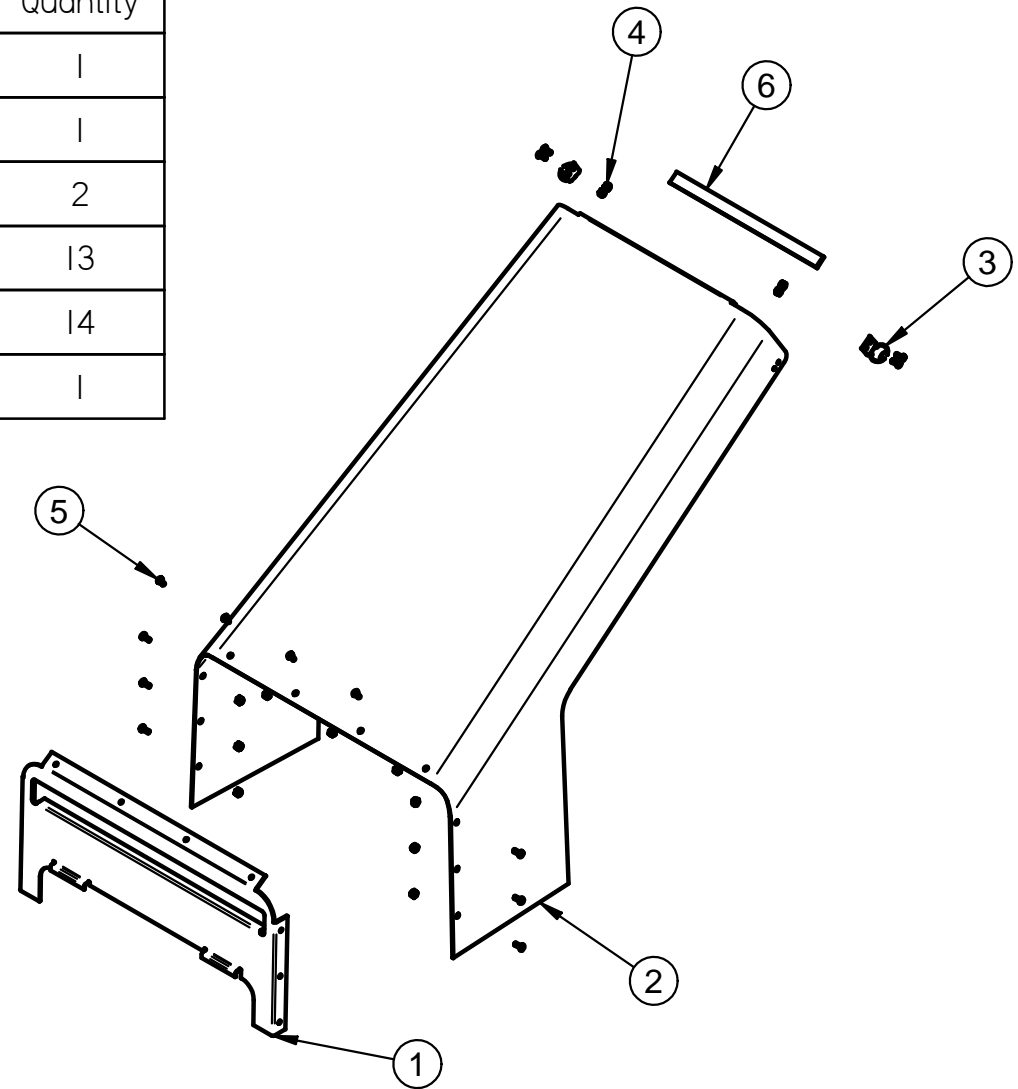


Item#	Part#	Title	Quantity
1	TBB2-0044	CHASSIS HOOD MNT. PL.	1
2	TBB2-0045	CHASSIS HOOD	1
3	J0240A	DRAW LATCH CONNECTOR	2
4	KI068	10-24 NYLOC NUT	13
5	KI064	10-24 x 1/2" PSLMS	14
6	V0014	BELT HOOD SEAL	1



ENGINE HOOD
EXPLODED VIEW AND PARTS LIST

REVISIONS:	NEXT RT:			CUT SIZE:		#: TBB-3000	
	RT:	OPER:	LOC:	REQUIRED:			
	1	*		MTL:		DATE: 2/1/2007 SHEET 1 OF 1	
	2	*		USED ON:		REV: MODIFIED DATE: 3/22/2008	
	3	*		TYPE/MODEL: BRUSH BLAZER		WEIGHT: N/A	
	4	*		*		DRAWN BY: Patrick	
5	*		UNLESS OTHERWISE SPECIFIED		APPR BY:		
LOCATION:	UNITS: INCH			ANGLES $\pm 0.5^\circ$ 2 PL ± 0.010 3 PL ± 0.005		PECO	