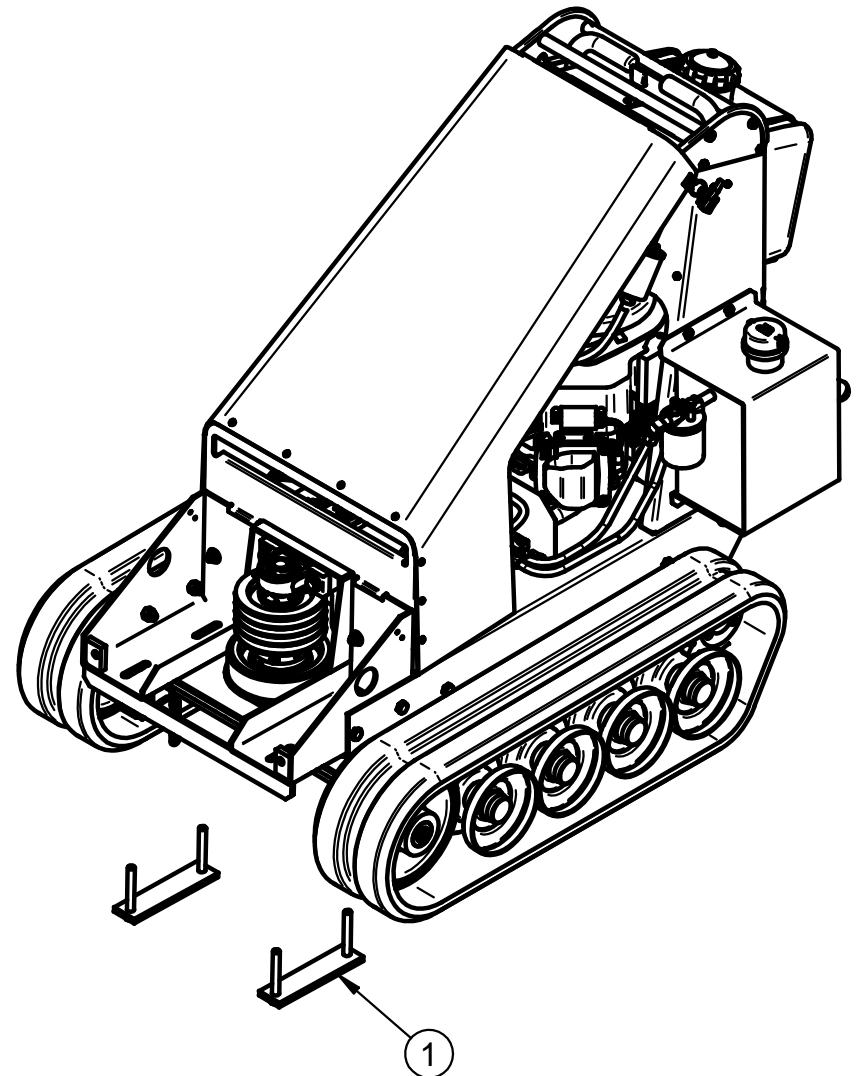


DECK TO CHASSIS  
EXPLODED VIEW AND PARTS LIST



Item#	Part#	Title	Quantity
1	TBB2-0018	DECK MNTG. PLATE ASSY.	2
2	K1036	1/2"-13 x 3" ALL THREAD HHCS	2
3	K1247	1/2"-13 NYLOC NUT	6
4	K0055	1/2" FLAT WASHER 1.383 OD x .560 ID x .120 T	4

REVISIONS:

NEXT RT:			CUT SIZE:
RT:	OPER:	LOC:	REQUIRED:
1	*		MTL:
2	*		USED ON:
3	*		TYPE/MODEL: BRUSH BLAZER
4	*		*
5	*		UNLESS OTHERWISE SPECIFIED
UNITS: INCH			ANGLES ±0.5° 2 PL ±0.010 3 PL ±0.005

**#: TBB-3000**

DESC: DECK TO CHASSIS	
DATE: 2/1/2007	SHEET 1 OF 1
REV:	MODIFIED DATE: 3/22/2008
WEIGHT: 1151.077 lbm	
DRAWN BY: Patrick	<b>PECO</b>
APPR BY:	

LOCATION: