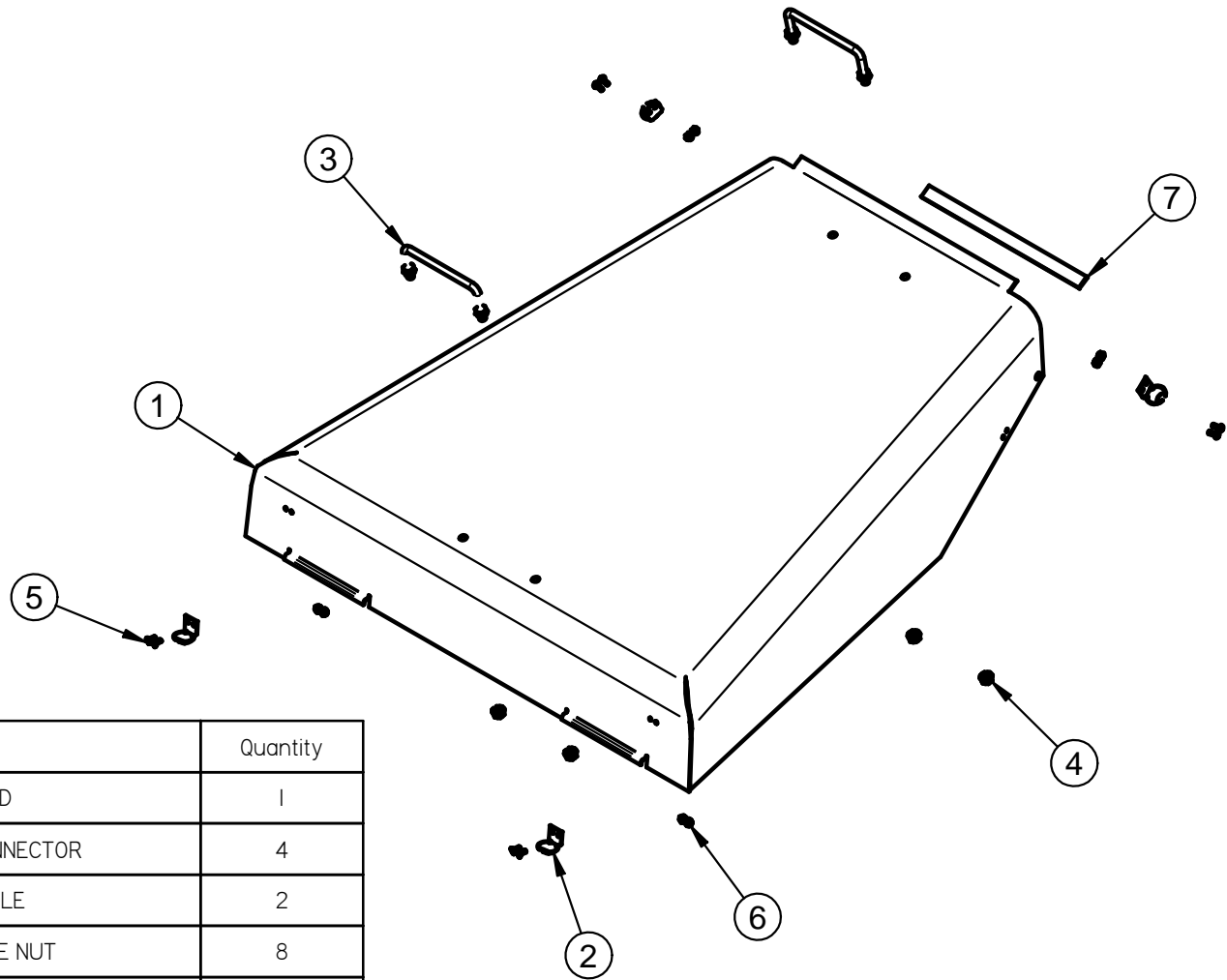


DECK HOOD
EXPLODED VIEW AND
PARTS LIST



Item#	Part#	Title	Quantity
1	TBB-0052	BELT HOOD	1
2	J0240A	DRAW LATCH CONNECTOR	4
3	K0323	HOOD HANDLE	2
4	K1215	3/8"-16 FLANGE NUT	8
5	K1064	10-24 x 1/2" PSLMS	8
6	K1068	10-24 NYLOC NUT	8
7	V0014	BELT HOOD SEAL	1

REVISIONS:	NEXT RT:		CUT SIZE:		#: TBB-3000	
	RT:	OPER:	LOC:	REQUIRED:		
	1	*		MTL:	DATE: 2/1/2007	SHEET 1 OF 1
	2	*		USED ON:	REV:	MODIFIED DATE: 3/22/2008
	3	*		TYPE/MODEL: BRUSH BLAZER	WEIGHT: N/A	
	4	*		*	DRAWN BY: Patrick	
5	*		UNLESS OTHERWISE SPECIFIED	APPR BY:		
LOCATION:	UNITS: INCH		ANGLES ±0.5° 2 PL ±0.010 3 PL ±0.005		PECO	