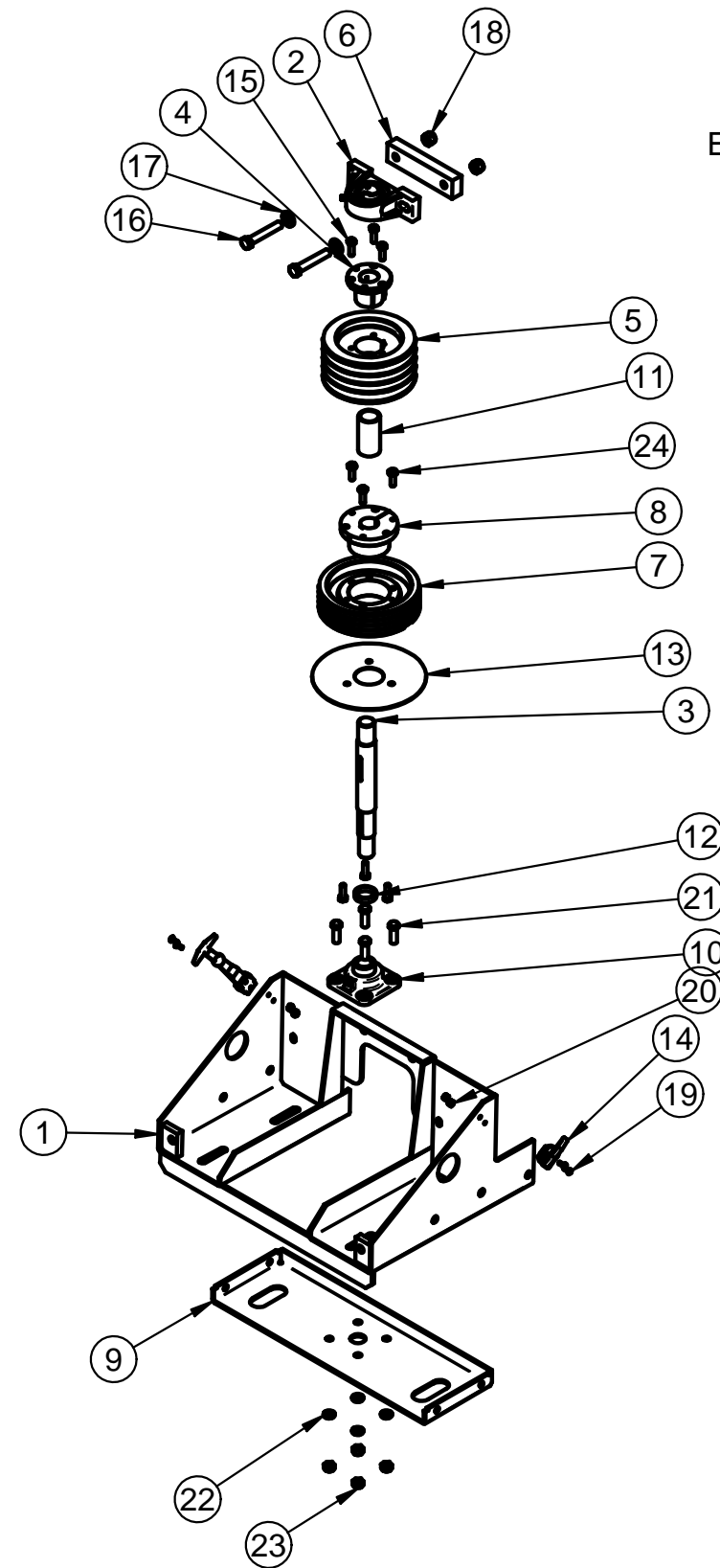


Item#	Part#	Title	Quantity
1	TBB-0250	C. SHAFT ASSY.	1
2	N0149	C. SHAFT PILLOW BEARING	1
3	TBB-0247	C. SHAFT	1
4	S0160	C. SHAFT SHEAVE BUSHING	1
5	TBB-0161	DECK SHEAVE	1
6	TBB-0021	BEARING SPACER BLOCK	1
7	TBB-0162	C. SHAFT DRIVE SHEAVE	1
8	S0187	C. SHAFT DRIVE SHEAVE BUSHING	1
9	TBB-0233	LWR. C. SHAFT MNT.	1
10	N0150	FAFNIR FLANGE CARTRIDGE RCJ I	1
11	S0179	LRG. C. SHAFT SPACER	1
12	S0173	SML. C. SHAFT SPACER	1
13	TBB-0267	BELT RETAINER DISC	1
14	J0240	DRAW LATCH	2
15	K1154	5/16"-18 x 1" HHCS	9
16	K1236	1/2"-13 x 3" HHCS	2
17	K0400	1/2" SAE FLAT WASHER ZINC	2
18	K1247	1/2"-13 NYLOC NUT	2
19	K1064	10-24 x 1/2" PSLMS	4
20	K1068	10-24 NYLOC NUT	4
21	K0328	7/16"-14 x 1-1/4" HHCS	4
22	K0053	7/16" LOCK WASHER	4
23	K0329	7/16"-14 x 2" HHCS	4
24	K0043	5/16" LOCK WASHER	3



COUNTER SHAFT ASSEMBLY
EXPLODED VIEW AND PARTS LIST

REVISIONS:	NEXT RT:		CUT SIZE:		#: TBB-3000 DESC: COUNTER SHAFT DATE: 2/1/2007 SHEET 1 OF 1 REV: MODIFIED DATE: 3/22/2008 WEIGHT: N/A DRAWN BY: Patrick APPR BY:
	RT:	OPER:	LOC:	REQUIRED:	
	1	*		MTL:	
	2	*		USED ON:	
	3	*		TYPE/MODEL: BRUSH BLAZER	
4	*		*		
5	*		UNLESS OTHERWISE SPECIFIED		
LOCATION:	UNITS: INCH		ANGLES ±0.5° 2 PL ±0.010 3 PL ±0.005		PECO