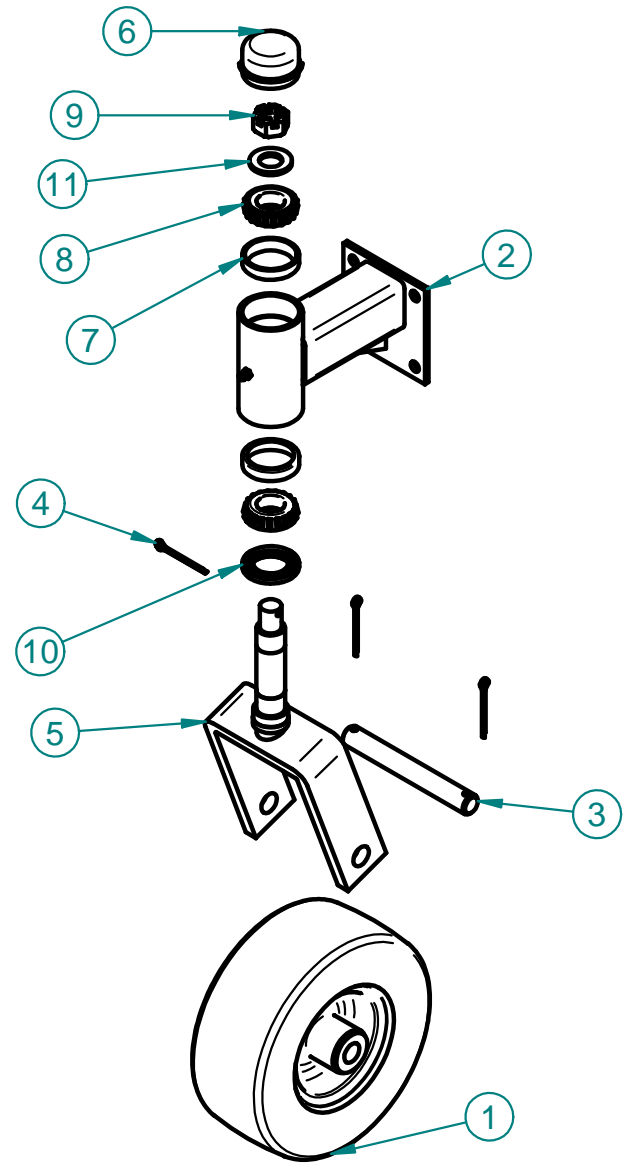


## CASTER ASSEMBLY EXPLODED VIEW AND PARTS LIST

Item#	Part#	Title	Quantity
1	H3408	SOLID WHEEL	1
2	TBB2-0027	MNT. TUBE ASSY.	1
3	TBB2-0030	CASTER AXLE	1
4	K0089	3/16" x 2" COTTER PIN	3
5	TBB2-0028	CASTER FORK ASSY.	1
6	N0164	DUST CAP	1
7	N0162	BRG. RACE	2
8	N0161	CASTER BRG.	2
9	K0396	3/4"-16 SLOTTED HEX NUT	1
10	N0163	GREASE SEAL	1
11	K0399	3/4" AXLE WASHER GR2	1



REVISIONS:	NEXT RT:		CUT SIZE:		<b>#: TBB2-0031</b>	
	RT:	OPER:	LOC:	REQUIRED:		
	1	*		MTL:	DATE: 10/19/2005	SHEET 1 OF 1
	2	*		USED ON:	REV:	MODIFIED DATE: 1/9/2008
	3	*		TYPE/MODEL: BRUSH BLAZER	WEIGHT: 18.633 lbm	
	4	*		*	DRAWN BY: Patrick	
5	*		UNLESS OTHERWISE SPECIFIED	APPR BY:		
LOCATION:	UNITS: INCH		ANGLES ±0.5° 2 PL ±0.010 3 PL ±0.005		<b>PECO</b>	