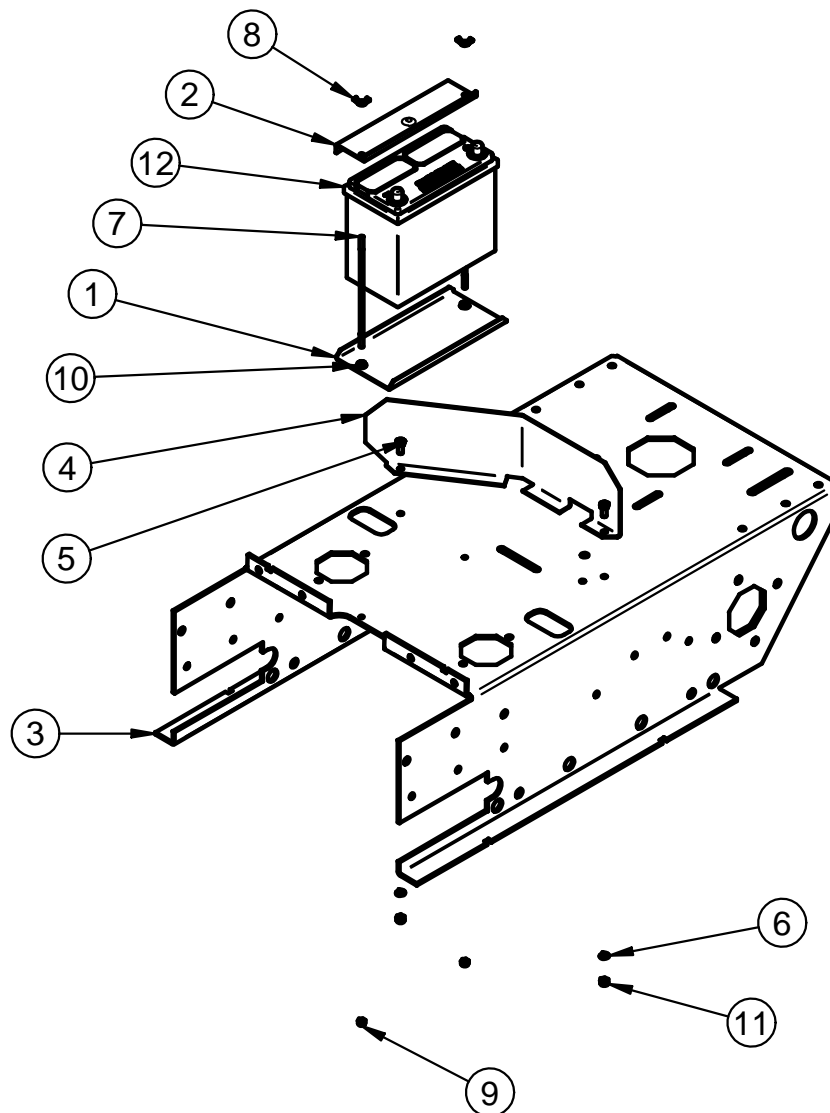


BATTERY AND MUFFLER GUARD
EXPLODED VIEW AND PARTS LIST

Item#	Part#	Title	Quantity
1	TBB-0274	BATTERY MNT. PLATE	1
2	TBB-0031	BATTERY HOLD DOWN BRKT.	1
3	TBB-0129	CHASSIS ASSY.	1
4	TBB-0268	MUFFLER GUARD	1
5	K1153	5/16"-18 x 3/4" HHCS	2
6	K0043	5/16" LOCK WASHER	2
7	K0310	BATTERY HOLD DOWN BOLT	2
8	K1129	1/4"-20 WING NUT	2
9	K1128	1/4"-20 NYLOC NUT	2
10	K1126	1/4"-20 FLANGE NUT	2
11	K1180	5/16"-18 NYLOC NUT	2
12	K0085	BATTERY	1



REVISIONS:	NEXT RT:		CUT SIZE:		#: TBB-3000	
	RT:	OPER:	LOC:	REQUIRED:		
	1	*		MTL:	DATE: 2/1/2007	SHEET 1 OF 1
	2	*		USED ON:	REV:	MODIFIED DATE: 3/22/2008
	3	*		TYPE/MODEL: BRUSH BLAZER	WEIGHT: 1151.077 lbm	
	4	*		*	DRAWN BY: Patrick	
5	*		UNLESS OTHERWISE SPECIFIED	APPR BY:		
LOCATION:	UNITS: INCH		ANGLES ±0.5° 2 PL ±0.010 3 PL ±0.005		PECO	