



Unit Model #: 5665 1 203

Mower: Spartan

Owner's Manual: Q0564

Mower Type: RT-Pro, RT-HD, SRT-XDe & SRT-XD (Check for Mower's w/ Oil Guard, will need A2325)

Deck Size: 72"

Vac Type: Pro 12

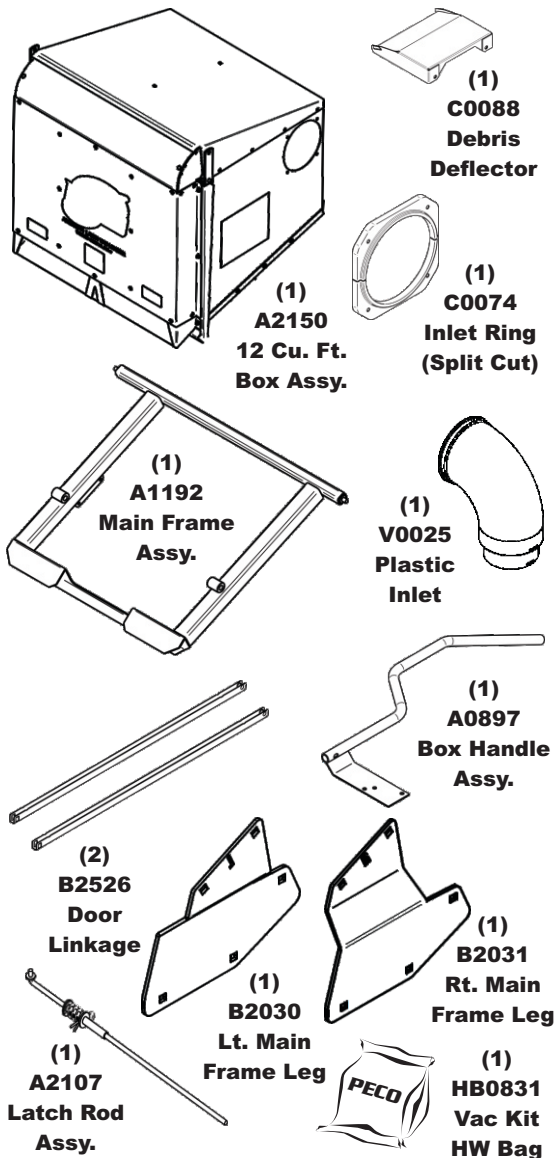
Deck Type:

Drive Type: PTO-X Driven

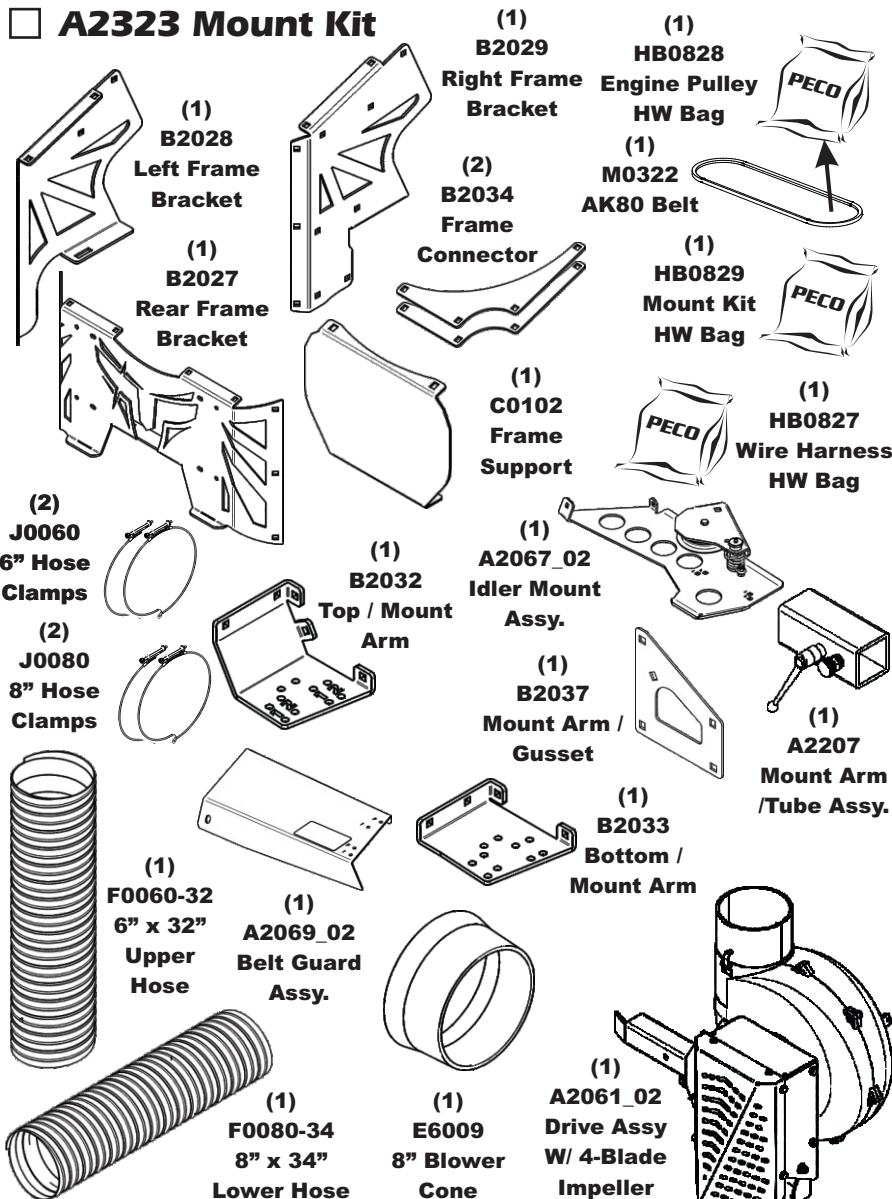
Revision #: 0

Fits Year(s): 2018 & Newer

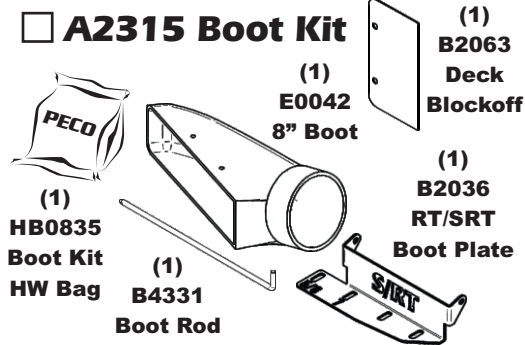
A2316 Vac Kit



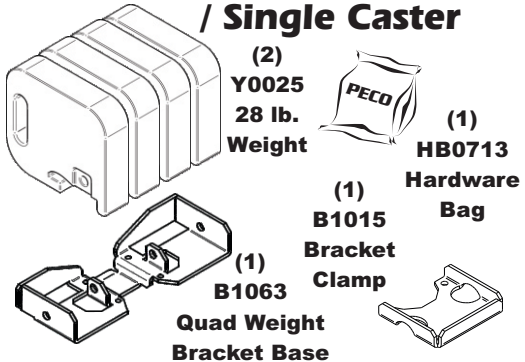
A2323 Mount Kit



A2315 Boot Kit



A2162 Quad Weight Kit / Single Caster



A2121 Dual Weight Kit / Single Caster

