



**Unit Model #: 47131505**

**Mower:** Bush Hog

**Owner's Manual:** Q0523

**Mower Type:** HDZ

**Deck Size:** 55" & 61"

**Vac Type:** P3B

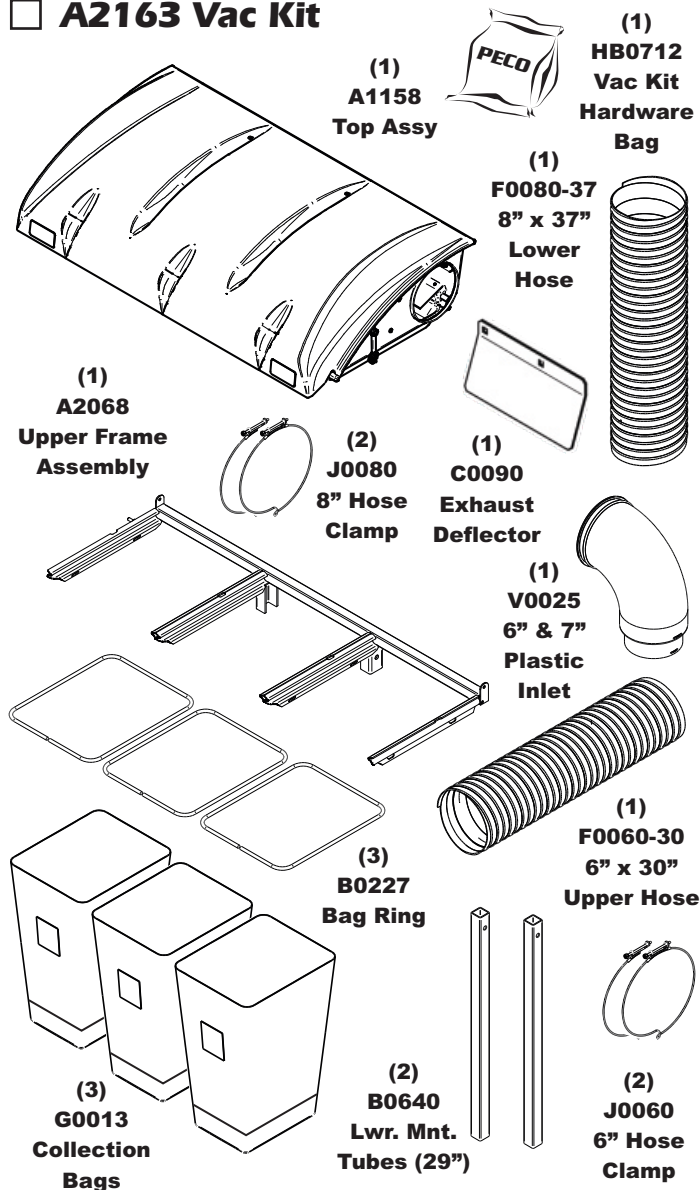
**Deck Type:**

**Drive Type:** PTO-X

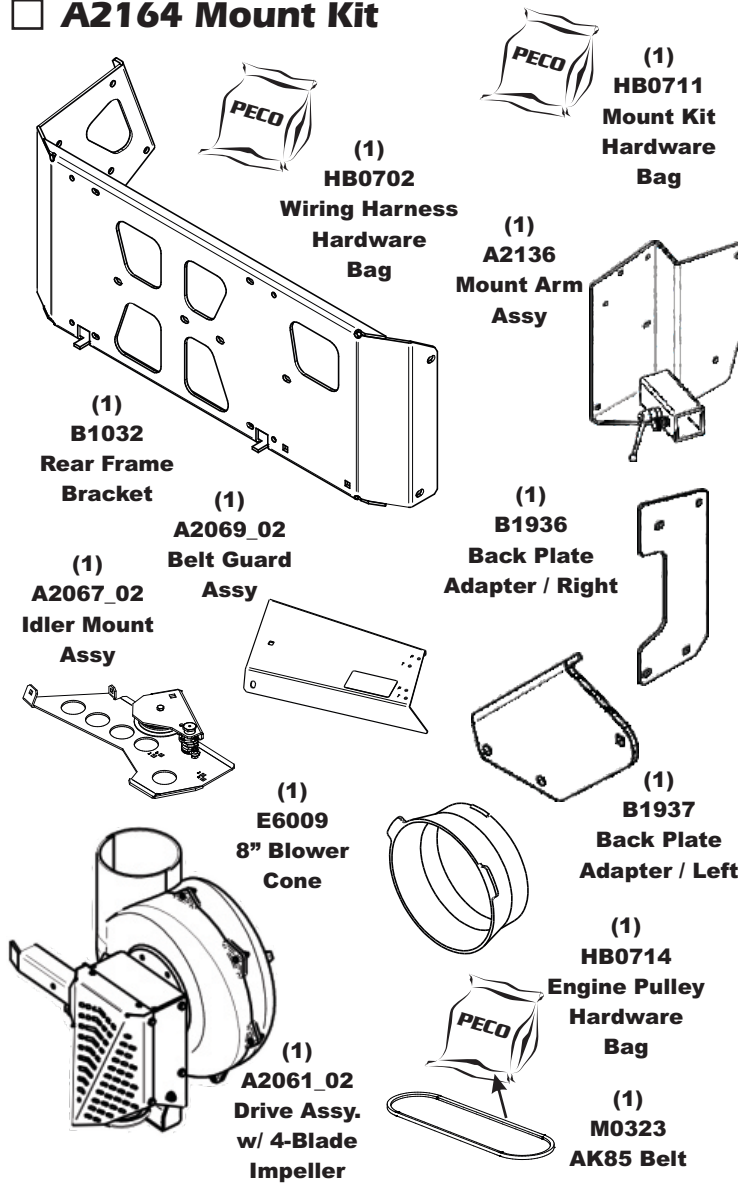
**Revision #:** 2 - Updated Mount & Weight Kit - Sept 2019

**Fits Year(s):** 2018-Newer

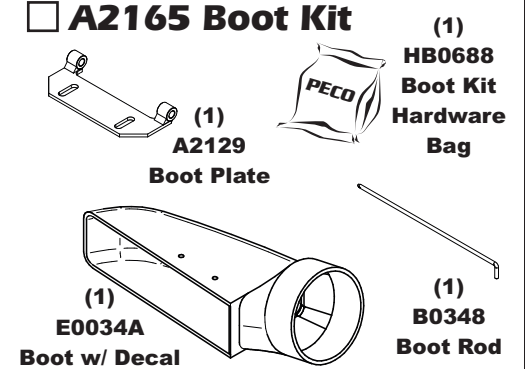
**A2163 Vac Kit**



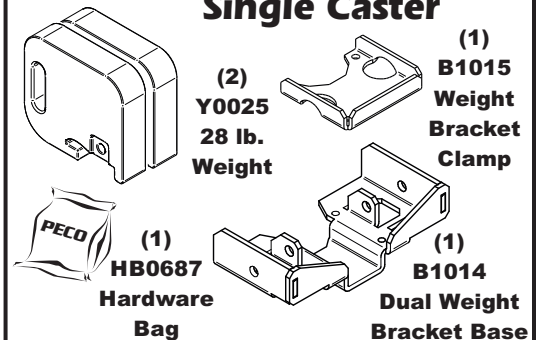
**A2164 Mount Kit**



**A2165 Boot Kit**



**A2121 Dual Weight Kit / Single Caster**



**A2162 Quad Weight Kit / Single Caster**

