



GRASS COLLECTION SYSTEM

Model# 49120907

MODEL YEAR:
2015-Newer

Country Clipper

Avenue 42"-54" & Boulevard 48"-54"



OPERATOR'S MANUAL

OPERATION • ASSEMBLY • MAINTENANCE

RESIDENTIAL BAGGING SYSTEM

TABLE OF CONTENTS

SECTION	PAGE	SECTION	PAGE
Safety	2	Boot To Mower Deck Installation	12
Safety Alert Symbols	3	Weight Kit Installation	13
Warranty	4	Installation/Removal of Collection Bags	14
INSTALLATION FOR USE	5	Safety Decals	15
Rear Mount Plate Installation	5	Torque Specifications	16
Mount Plate Brace Installation	5	Pack Drawing	17
Lower Mount Tube Installation	5	Notes and Documentation	18
Upper Frame Assembly Installation	5	Notes	19
Rear Mount Plate and Lower Tube Assembly Exploded View	6		
Top Assembly To Upper Frame Assembly Installation	7		
Inlet Installation	7		
Upper Frame Assembly Exploded View	8		
Hinge Kit Assembly Installation	9		
Grass Deflector Adjustment	10		
Boot To Mower Deck Installation	11		

Safety

1. Read the operator's manual carefully and familiarize yourself with the proper use of your attachment. Do not allow anyone who is not acquainted with the Safety Instructions to use your attachment.
2. Know the controls and how to stop quickly. READ THE OPERATOR'S MANUAL!
3. Do not allow children to operate the vehicle. Do not allow adults to operate it without proper instruction.
4. Be especially watchful of children and pets darting into the area while operating.
5. Keep your eyes and mind on your unit while mowing or operating your attachment. Don't let others distract you.
6. Do not attempt to operate your unit or mower when not in the driver's seat.
7. Always stop unit when emptying the container.
8. Stop unit, shut off deck attachment, set parking brake, shut off mower engine and remove spark plug wire before removing clogs, removing or replacing hose, boot, blower cone, or performing any maintenance.
9. Mow across the face of slopes (not steeper than 10 degrees); never up and down the face.
10. It is recommended that the container be kept only half full when negotiating any slopes. Start mowing on slopes when the container is empty.
11. Inspect your lawn and remove any foreign objects before mowing. Never deliberately run the mower across any foreign object.
12. Wear ear protection if the noise level is offensive.
13. Wear eye protection to prevent debris from damaging your eyes.

SAFETY

WARNING! NEVER operate the mower unless the discharge guard and either the deflector assembly or the vacuum collector adapter are fastened securely in place.

WARNING! Do not work around the mower deck boot or the blower area until you are certain that the mower blades and the blower impeller have stopped rotating.

WARNING! To avoid serious injury, perform maintenance on the vacuum collector; **ONLY AFTER STOPPING THE MOWER'S ENGINE AND WAITING FOR ALL MOVING PARTS TO COME TO A COMPLETE STOP.** Set the parking brake. Always remove the ignition key before beginning maintenance.

WARNING! For your own personal safety, **ALWAYS** mow **ACROSS** the face of slopes and **NEVER UP and DOWN** the face. **NEVER** attempt to mow excessively steep slopes, and use caution when turning on any slope.

Safety Alert Symbol



This Safety Alert Symbol means: **“ATTENTION! BECOME ALERT! YOUR SAFETY IS INVOLVED!”**

This symbol is used to call attention to safety precautions that should be followed by the operator to avoid accidents. When you see this symbol, carefully read the message that follows and heed its advice. Failure to comply with safety precautions could result in death or serious bodily injury.

Safety Signs

The signal words **DANGER**, **WARNING**, and **CAUTION** are used on the equipment safety signs. These words are intended to alert the viewer to the existence and the degree of hazard seriousness.



White letters on **RED**

This signal word indicates a potentially hazardous situation which, if not avoided, will result in death or serious injury.



Black letters on **ORANGE**

This signal word indicates a potentially hazardous situation which, if not avoided, could result in death or serious injury.

It may also be used to alert against unsafe practices.



Black letters on **YELLOW**

This signal word indicates a potentially hazardous situation exist which, if not avoided, will result in minor or moderate injury.

It may also be used to alert against unsafe practices.

PECO LIMITED WARRANTY FOR NEW PRODUCTS

A. WHAT IS UNDER WARRANTY?

PECO extends the following warranties to the original purchaser of each new PECO consumer product subject to the following limitations.

1. PRODUCT WARRANTY: Any part of any consumer product, which is defective in material or workmanship as delivered to the purchaser will be repaired or replaced, as PECO elects, without charge for parts or labor, if the defect appears within 12 months from the date of delivery of the product to the original purchaser.

ALL DEFECTIVE PARTS MUST BE RETURNED TO PECO FOR INSPECTION TO DETERMINE VALIDITY OF WARRANTY CLAIMS. Freight and mailing will be borne by the customer.

2. PARTS REPLACED DURING WARRANTY: Any new PECO part which is furnished in performance of this warranty and is defective in material or workmanship as delivered to the purchaser will be repaired or replaced, as PECO elects, without charge if the defect appears within 90 days from the date of installation of such part or before the expiration of the original warranty period, whichever is later.

B. SECURING WARRANTY ADJUSTMENTS.

Call PECO for Return Authorization. Damaged or broken parts other than engines or batteries, must be returned to New PECO, Inc. 10 Walden Dr, Arden, NC 28704 before any warranty adjustment can be authorized. At the time of requesting warranty adjustment, the purchaser must present evidence of the date of delivery of the product. The purchaser shall pay any charge for the product to and from Arden, NC.

C. ITEMS NOT COVERED BY PECO WARRANTY.

Engines and batteries attached to PECO products are covered under a separate warranty by the respective manufacturer.

D. UNAPPROVED ALTERATION OR MODIFICATION.

All obligations of New PECO, Inc. under this warranty shall be terminated if products are altered or modified in ways not approved by New PECO, Inc.

E. ACCIDENTS AND NORMAL MAINTENANCE.

The warranty covers only defective material and workmanship. It does not cover depreciation or damage caused by normal wear, accident, improper use or abuse of products. The cost of normal maintenance and normal replacement of service items such as belts, cutting blades, hoses, etc., which are not defective shall be paid for by the purchaser.

F. NO REPRESENTATIONS ADDITIONAL WARRANTIES, DISCLAIMER.

Neither New PECO, Inc. nor any company affiliated with it makes any warranties, representations or promises as to the quality of performance of its products other than those set forth herein. Except as described above, New PECO, Inc. makes no other warranties **AND SPECIFICALLY DISCLAIMS ANY AND ALL IMPLIED WARRANTIES OF FITNESS AND MERCHANTABILITY.**

G. ANY MACHINE USED FOR RENTAL PURPOSES ARE GUARANTEED FOR 45 DAYS FROM DATE OF ORIGINAL SALE ONLY.

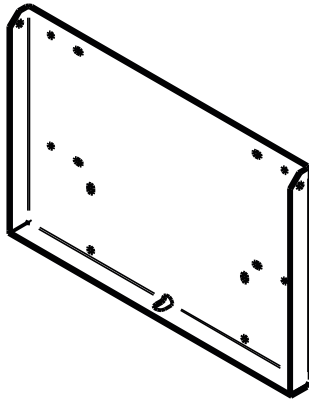
H. REMEDIED EXCLUSIVE.

The only remedies the purchaser has in connection with the breach or performance of any warranty on New PECO, Inc. consumer products are set forth above. In no event will PECO be liable for special incidental or consequential damages.

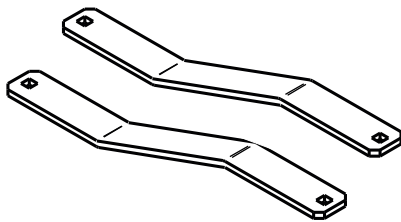
1. NO SERVICE CENTER WARRANTY.

The selling Service Center makes no warranty on his own on any item warranted by New PECO, Inc. unless he delivers to purchaser a separate written warranty certificate specifically warranting the item. The dealer has no authority to make any representation or promise on behalf of PECO or to modify the terms of this warranty in any way.

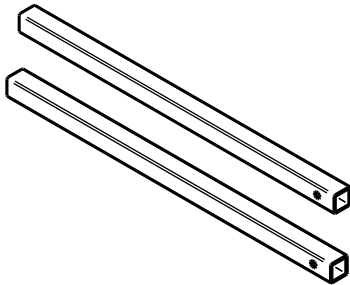
See next page for assembly views



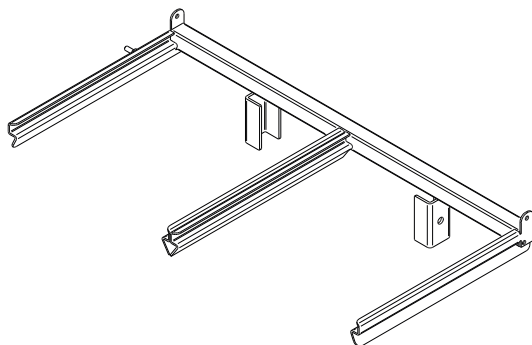
B0898 Rear Frame Plate



B0899 Mount Plate Brace



B0640 Lower Mount Tubes



A2047 Upper Frame Assy.

Rear Mount Plate Installation

Attach P#(B0898) Rear Mount Plate to the rear of the mower using (2) P#(K0286) U-Bolts and (4) P#(K2038) 3/8"-16 Ny-Flange Locknuts.

Mount Plate Brace Installation

Next, attach the (2) Mount Plate Braces to the frame by first removing the existing 3/8" - 16 carriage bolts where the arm rest frame meets the main chassis. Align holes and fasten using (2) P#(K1187) 3/8" -16 x 3" Carriage Bolts and (2) P#(K2038) 3/8"-16 Ny-Flange Locknuts. Attach to Rear Mount Plate using (2) P#(K1182) 3/8"-16 x 1" Carriage Bolts and (2) P#(K2038) 3/8"-16 Ny-Flange Locknuts.

Lower Mount Tube Installation

Attach the (2) P#(B0640) Lower Mount Tubes using (4) P#(K1098) 5/16"-18 x 2-1/4" x 1-3/4" U-bolts and (8) P#(K2516) 5/16"-18 Ny-Flange Locknuts to the Rear Mount Plate.

Upper Frame Assy. Installation

Place P#(A2047) Upper Frame Assy. over the two Lower Mount Tubes. Align holes and secure using (2) P#(K0133) Clevis Pins and (2) P#(K0088) Hair Pin Clips. (See page 7)

Rear Mount Plate and Lower Mount Tube Assembly

Item #	Part #	Desc.	Qty.
1	B0898	Rear Mount Plate	1
2	K0286	U-Bolt 3/8"-16 x 3-1/2" IW x 3-1/8" ID	2
3	B0899	Mount Plate Brace	2
4	K1182	3/8"-16 x 1" Carriage Bolt	2
5	K2038	3/8"-16 Ny-Flange Lock Nut	4
6	B0640	Lower Mount Tube / 29"	2
7	K1098	U-Bolt / 5/16"-18 x 2" x 2-1/2"	4
8	K2516	5/16"-18 Ny-Flange Lock Nut	8
9	K1187	3/8"-16 x 3" CARRIAGE BOLT	2

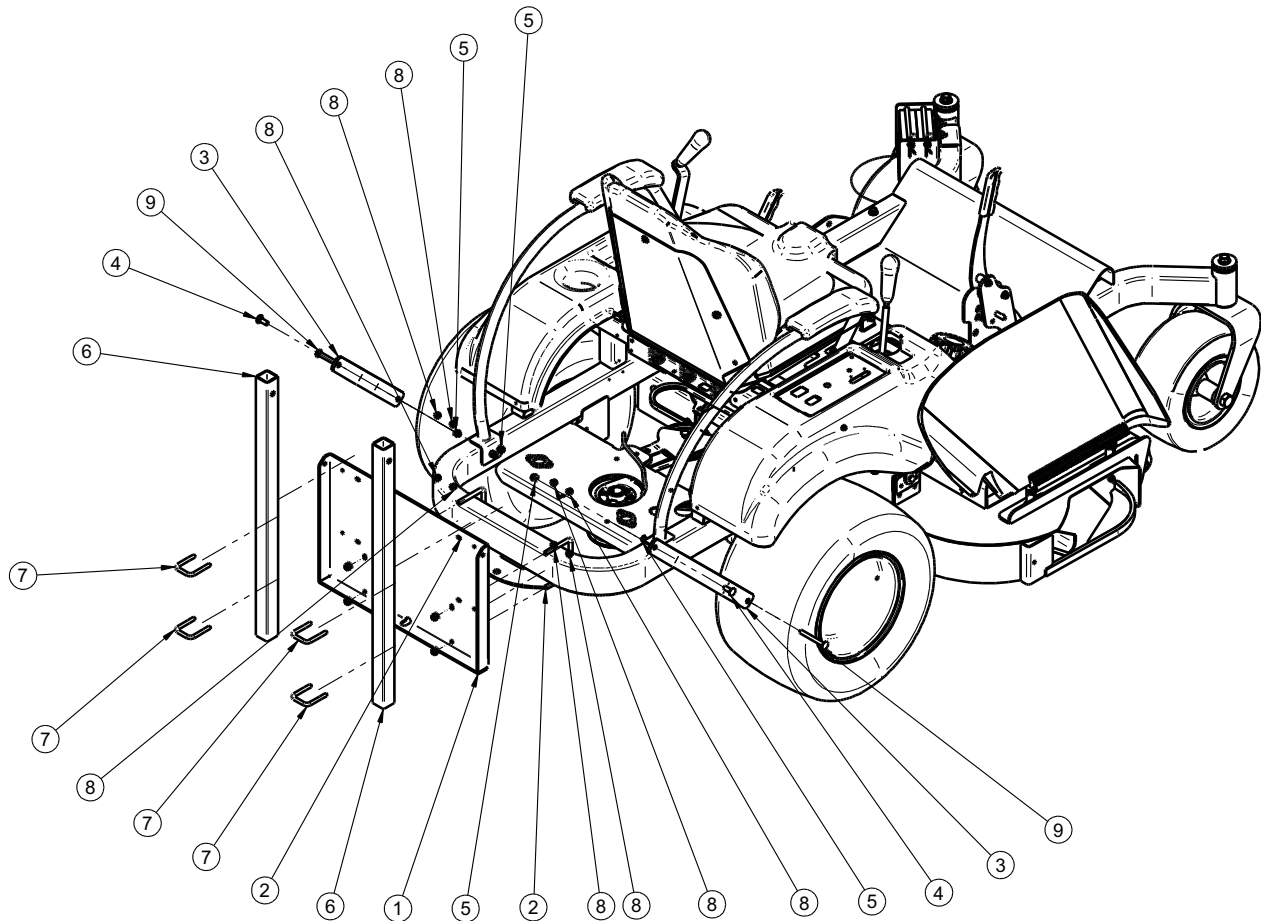
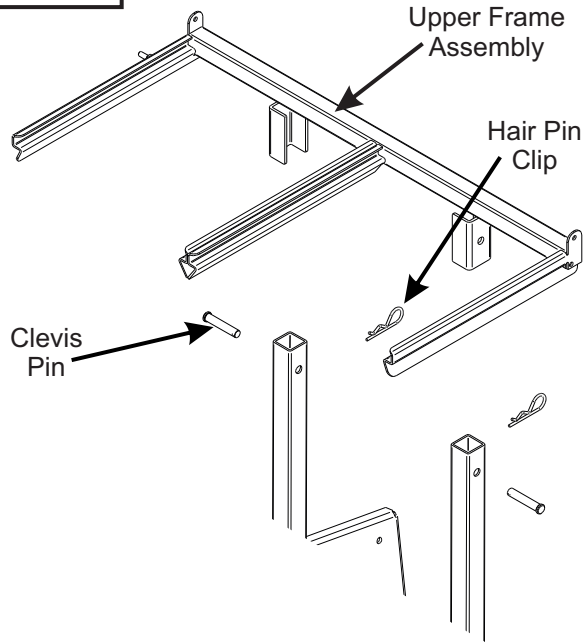


Figure A



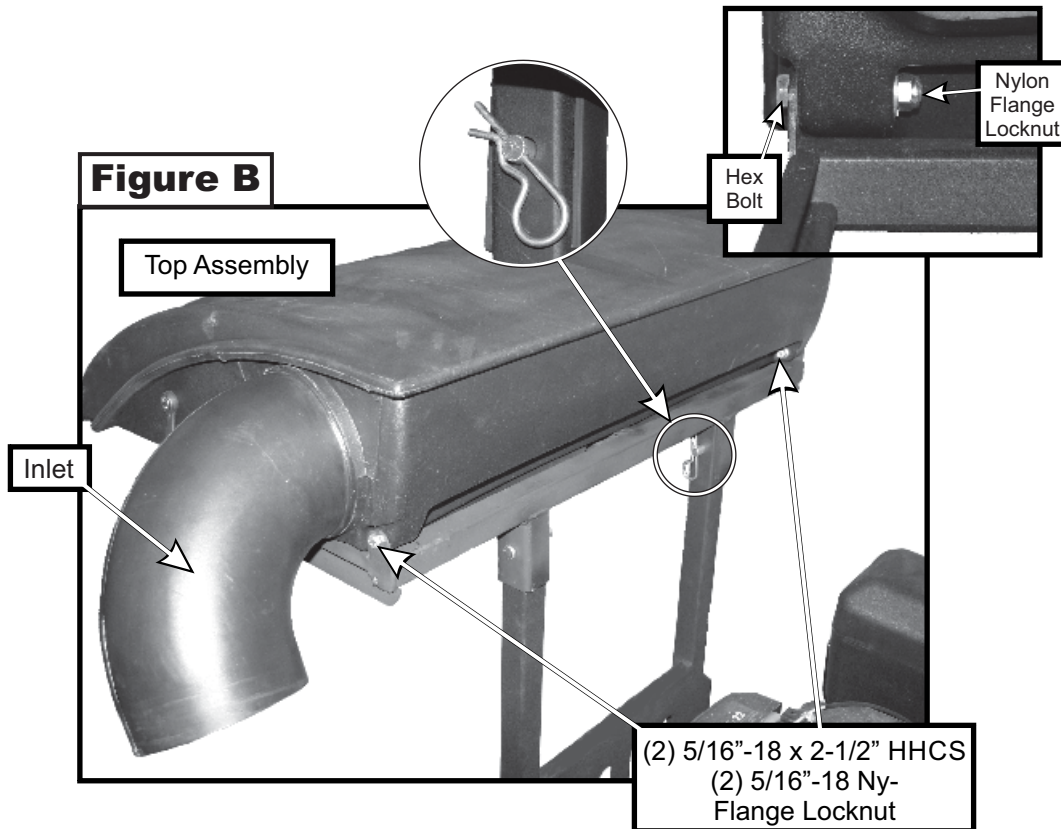
Top Assembly To Upper Frame Assembly Installation

Position the Top Assembly P#(A2101) above the Upper Frame Assembly as shown in Figure B. Fasten the Top Assembly to the Upper Frame Assembly using (2) 5/16"-18 x 2-1/2" HHCS P#(K0125) and (2) 5/16"-18 Ny-Flange Locknuts P#(K2516). Leave the Locknuts slightly loose, to allow the Top Assembly to open and close easily. Refer to Figure B for hardware location.

Inlet Installation

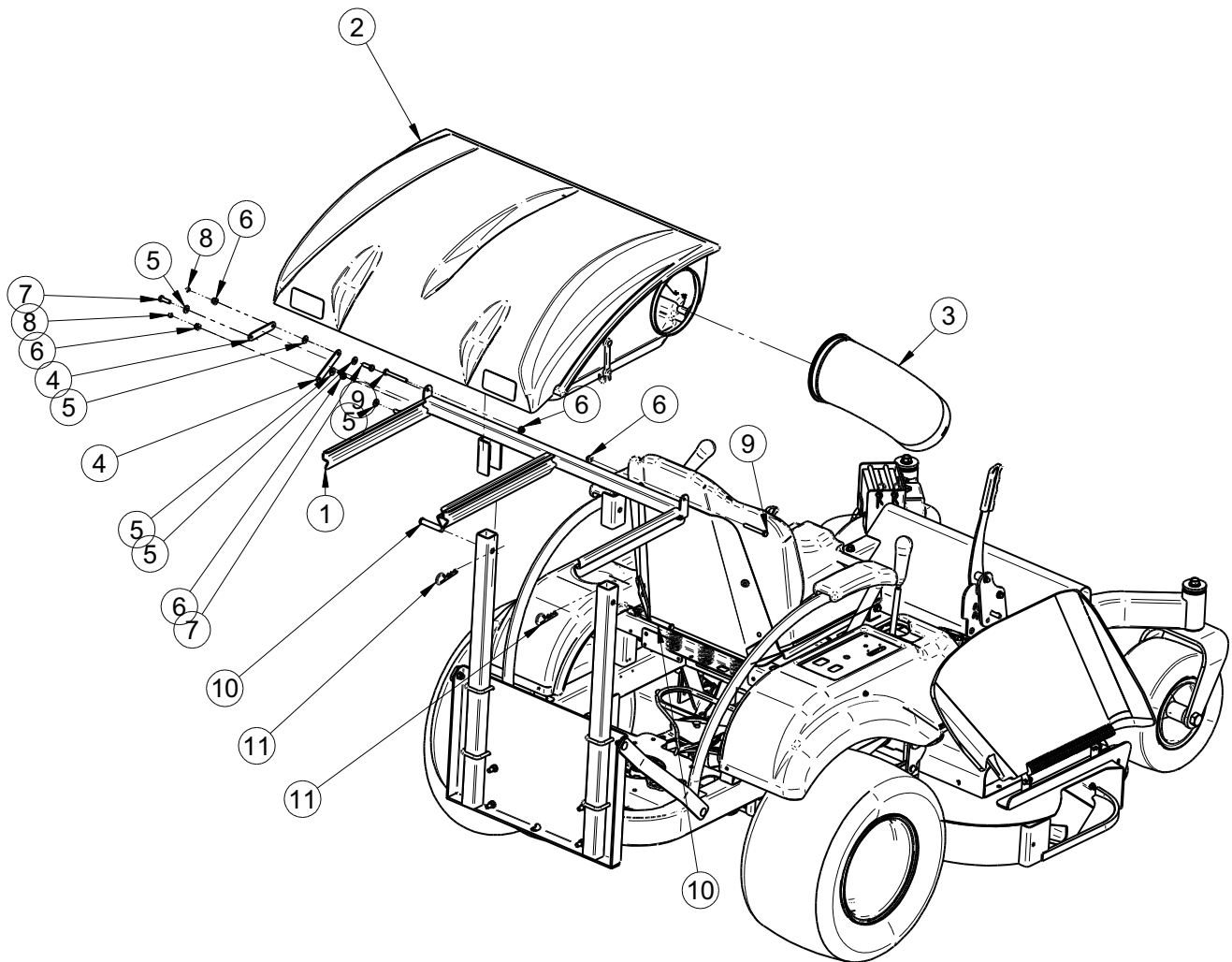
Insert the Inlet P#(V0025) into the hole on the Top Assembly from the inside and then snap the inlet into place. The Inlet should pivot freely about the hole.

Figure B



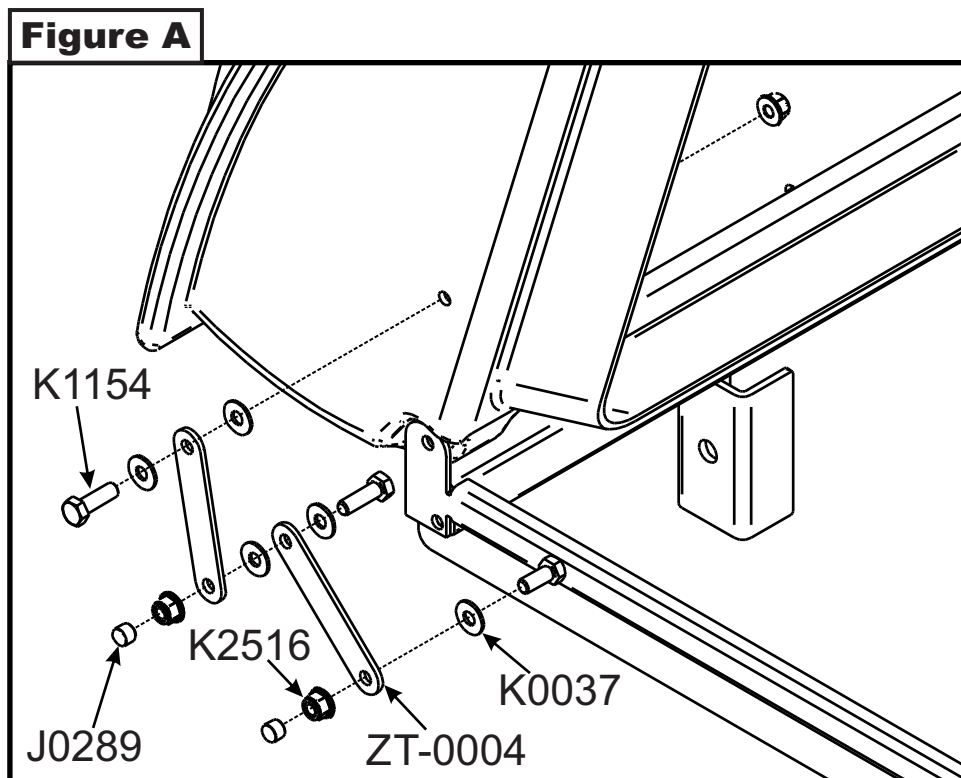
Upper Frame Assembly

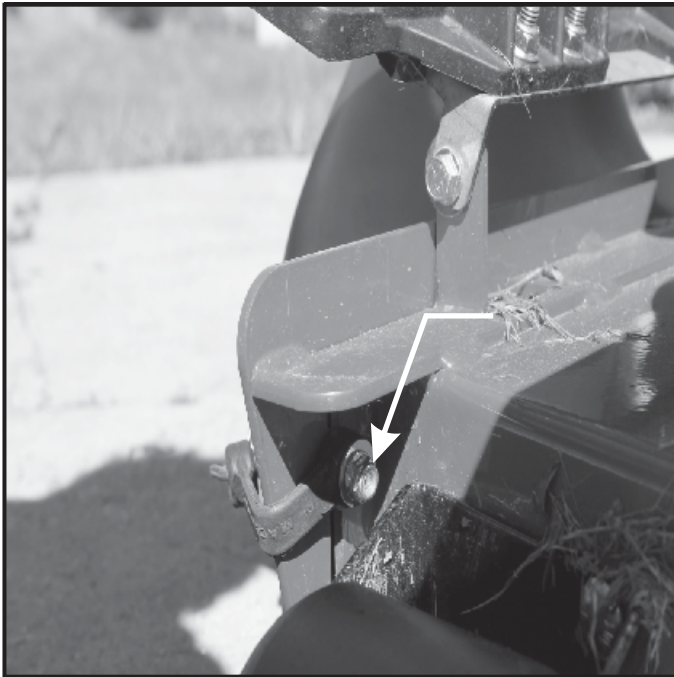
Item #	Part #	Desc.	Qty.
1	A2047	Upper Frame Assy. / Generic	1
2	A2101	Top Assy / P2B+ / PECO	1
3	V0025	Inlet	1
4	ZT-0004	SWING ARM BRKT	2
5	K0037	Flat Washer / 1/4" (.75 OD x .312 ID x .060 T)	5
6	K2516	5/16"-18 Ny-Flange Lock Nut	5
7	K1154	5/16"-18 x 1" HHCS	2
8	J0289	ROUND VINYL CAP	2
9	K0125	5/16"-18 x 2-1/2" ALL THREAD HHCS	2
10	K0133	Clevis Pin 1/2" x 2-1/2"	2
11*	K0088	Hair Pin Clip 5/32" x 2-5/8" L	2



Hinge Kit Assembly Installation

Assemble the Hinge Kit as shown in Figure A, using (2) 5/16"-18 x 1" HHCS P#(K1154), (3) 5/16"-18 Ny-Flange Locknuts P#(K2516), (5) 1/4" Flat Washers P#(K0037) and (2) Swing Arm Brackets P#(ZT-0004). Place (1) Vinyl Cap P#(J0289) on the end of the hex bolts as shown in Figure A. Leave the nuts loose enough to allow fluid movement of the top when opening and closing. When opened, the top should rest on the middle joint of the hinge allowing it to remain up.

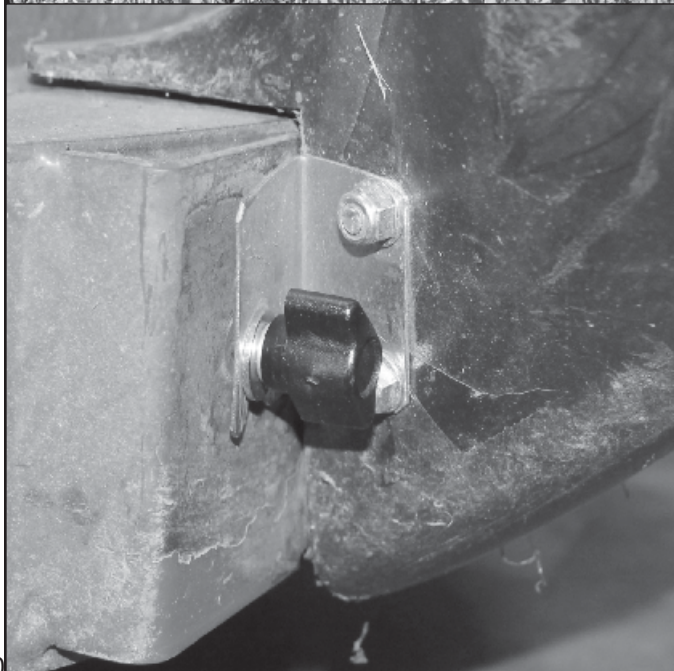




Attach Rubber Strap P#(J4009) to mower deck using (1) P#(K1025) 1/4"-20 Carriage Bolt. (1) P#(K0037) 1/4" Flat Washer and (1) P#(K2014) 1/4"-20 Ny-Flange Locknut. Open end of hook should be facing deck discharge.

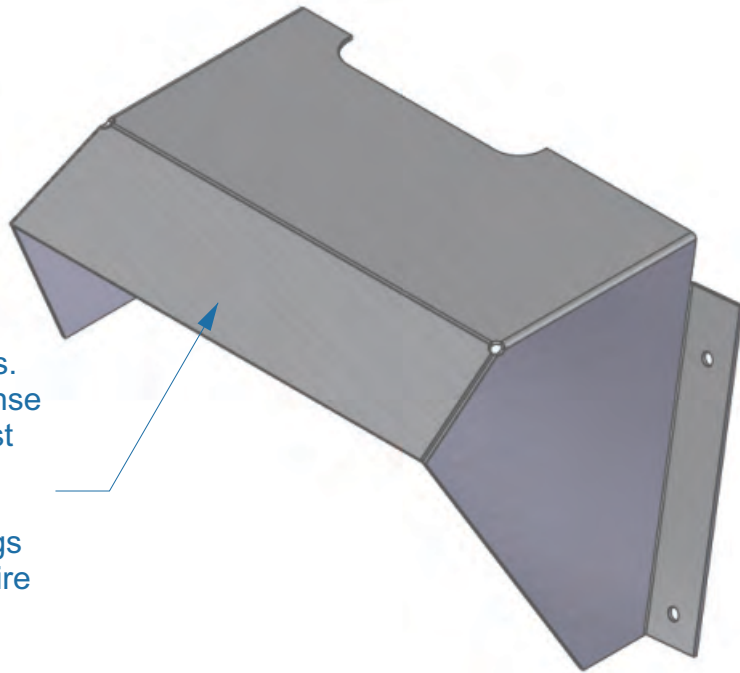
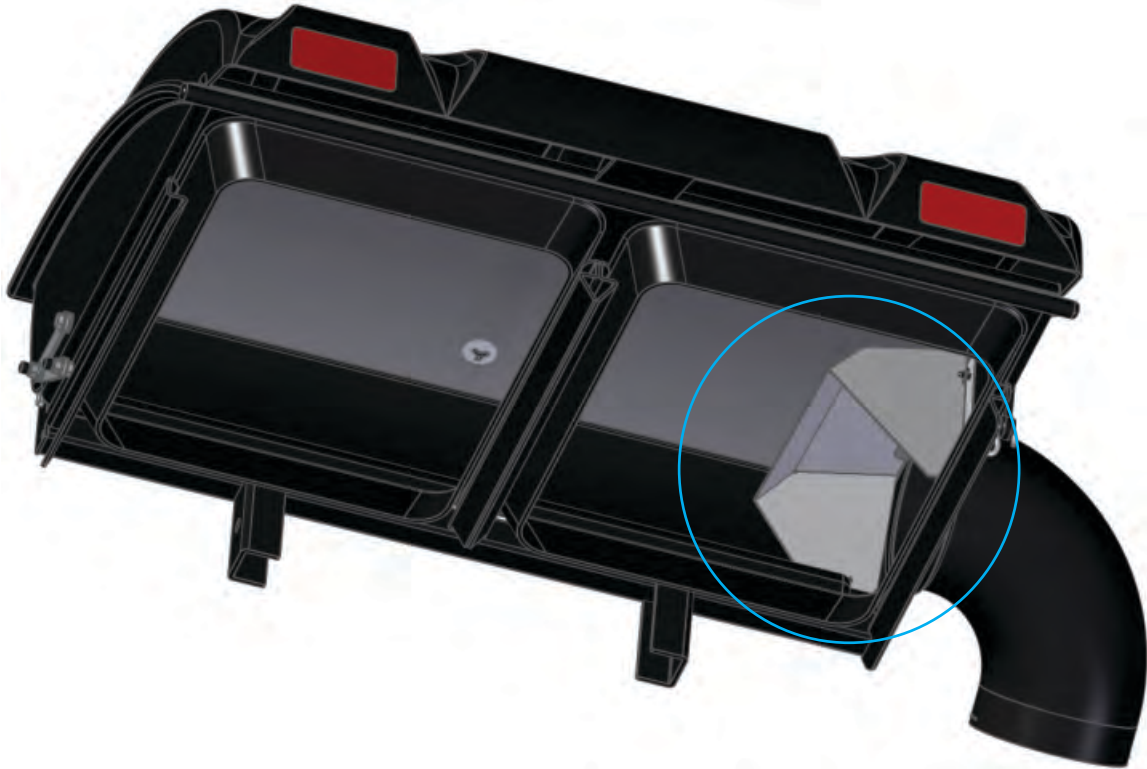


Attach Front Boot Plate P#(B0920) to outside of the Boot and the Boot Plate Fastener P#(B0922) on the inside using (2) P#(K1010) 1/4"-20 x 5/8" Carriage Bolts and (2) P#(K2014) 1/4"-20 Ny-Flange Locknuts.



Attach the Rear Boot Plate P#(B0921) to the outside of the Boot and Boot Plate Fastener P#(B0922) to the inside using (2) P#(K1010) 1/4"-20 x 5/8" Carriage Bolts and (2) P#(K2014) Flange Locknuts to the Boot. Secure Rear Boot Plate using P#(J0008) Hurricane T-Knob with 1/4"-20 x 3/4" threads, (1) P#(K0037) 1/4" Flat Washer and (1) P#(K0039) 1/4" Lock Washer to mower deck.

Grass Deflector Adjustment

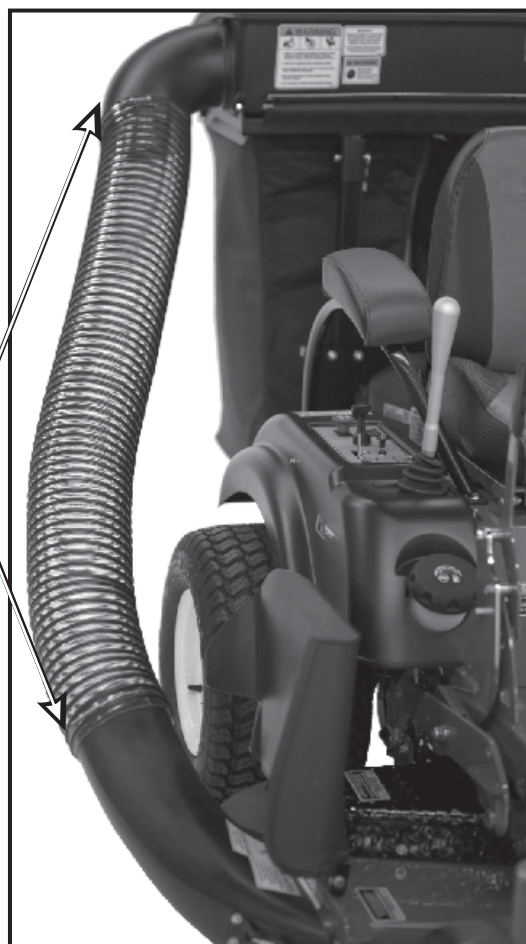


Flap Can Be Adjusted Up/Down Depending On Mowing Conditions. Adjust Flap Up To Allow More Dense Material To Reach Left Bag. Adjust Flap Down To Allow Less Dense Material To Reach The Right Bag. Once Adjusted Properly, Both Bags Should Fill Evenly, But May Require Further Adjusting When Mowing Conditions Change.

Hose Installation

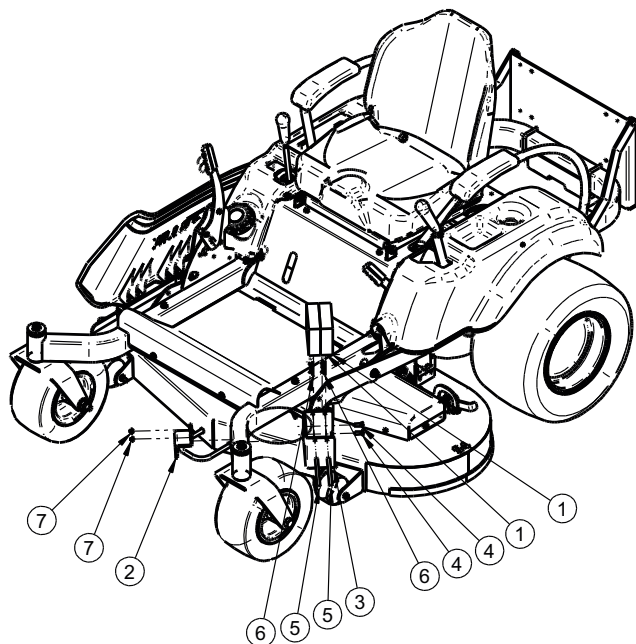
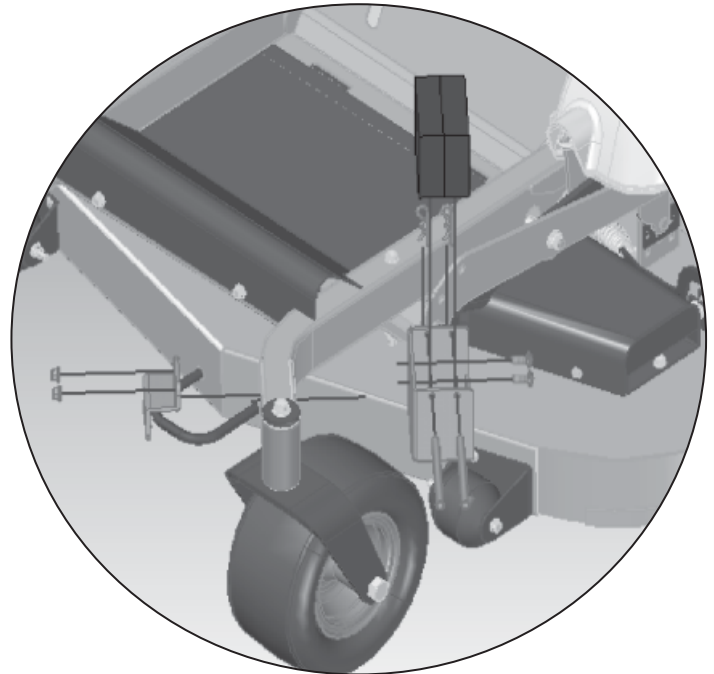
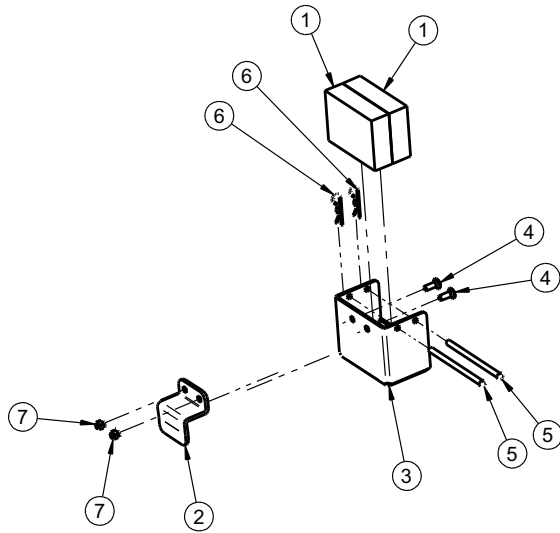
Attach Hose to opening on Boot P#(V0049) and secure with P#(J0060) Hose Clamp. Stretch Hose to Inlet P#(V0025), attach and secure using P#(J0060) Hose Clamp. (Note: If excessive sagging occurs, shorten by cutting excess Hose and re-attach.)

Hose Clamps



Weight Kit Installation

Item #	Part #	Desc.	Qty.
1	B0741	5-1/2" Weight Bar	2
2	B0834	Weight Brkt. Clamp	1
3	B0900	Weight Bracket	1
4	K1182	3/8"-16 x 1" Carriage Bolt	2
5	K1624	3/8" x 6-1/8" Clevis Pin	2
6	K0086	Hair Pin Clip .125 OD x 2.50	2
7	K2038	3/8"-16 Ny-Flange Lock Nut	2



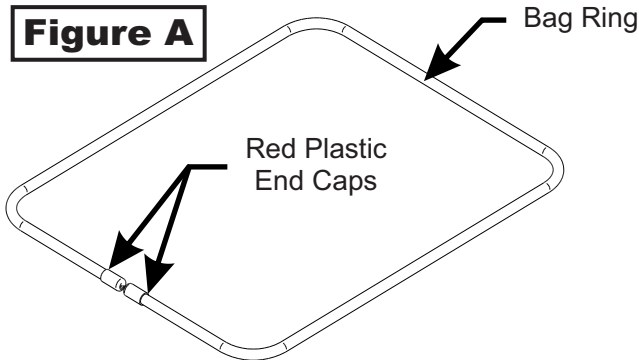
Attach (1) P#(B0900) Weight Bracket to each front caster tube using (1) P#(B0834) Weight Bracket Clamp, (2) P#(K1182) 3/8"-16 x 1" Carriage Bolts and (2) P#(K2038) 3/8"-16 Ny-Flange Locknuts.

Place (2) P#(B0741) 5-1/2" Weight Bars inside Bracket and secure with (2) P#(K1624) 3/8 x 6-1/8" Clevis Pins and (2) P#(K0086) Hair Pin Clips.

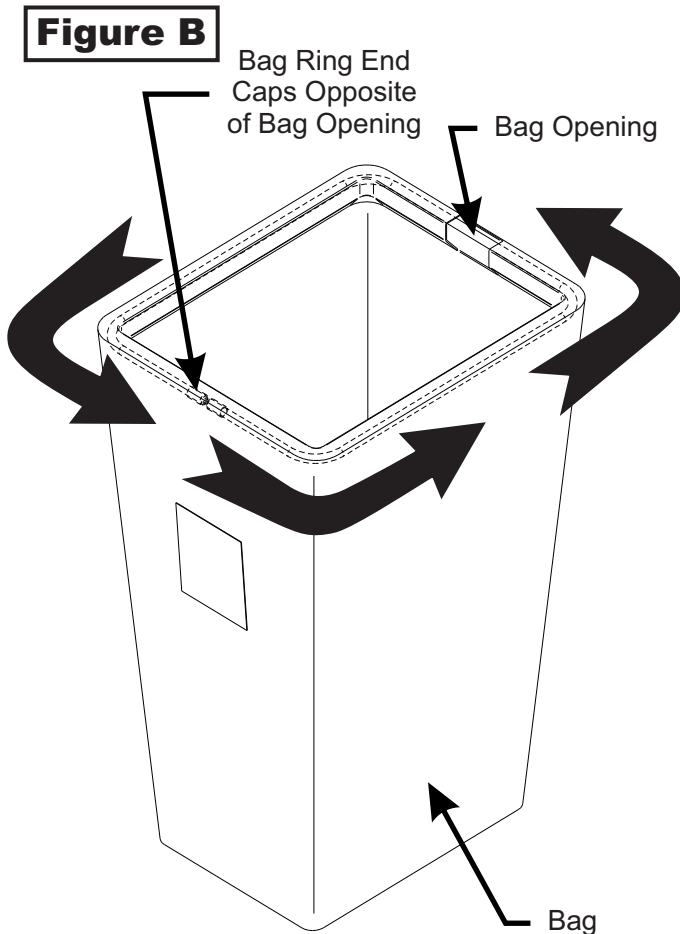
Installation/Removal Of Collection Bags

IMPORTANT!

To prevent bag wear, install (2) red plastic end caps P#(J0274), as shown in Figure A, on each bag ring before installing bags.

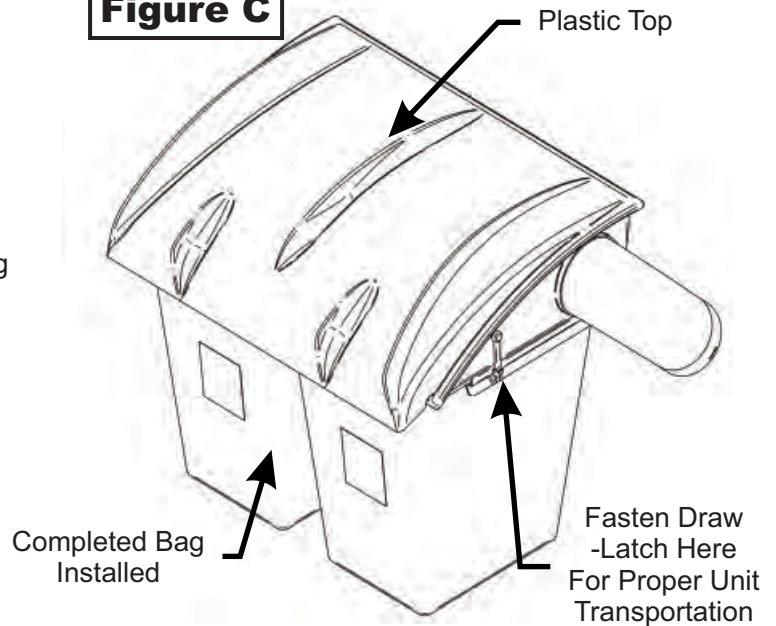


To install the bag onto the bag ring, place the seam openings of the bag onto the bag ring openings and turn the bag one and one half full turns (540°) so the plastic end caps are located opposite to the opening in the bag (Figure B). Do this for each bag.



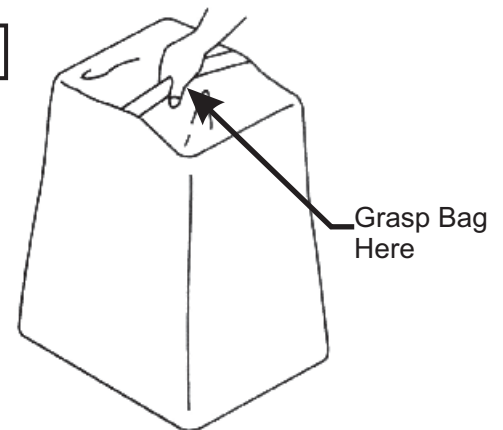
Install the completed assemblies onto the support frame and close the plastic top. Fasten the draw-latches to hold the plastic top closed (Figure C).

Figure C



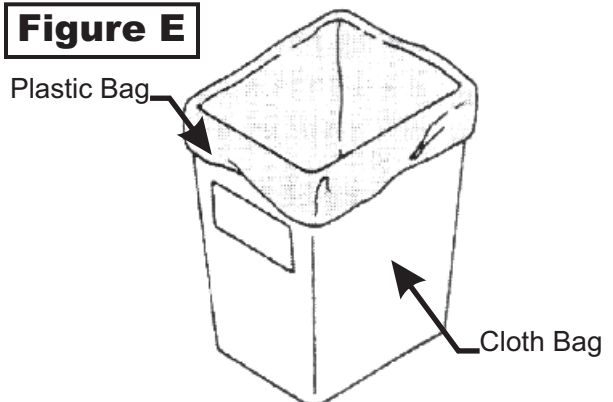
To empty the bag, first unlatch and lift top, next remove the bag and bag ring by sliding rearward, then grasp the loop on the bottom of the bag, and last turn it upside down to empty the collected debris (Figure D). Repeat for the other bag. Reinstall both bags, line with plastic bags if desired, close the plastic top and reattach the draw latches.

Figure D



Plastic lawn and leaf bags, 33 gallon size, may be used inside the cloth bags. Be sure to leave enough plastic bag hanging over the frame so the plastic bags can be twist tied before emptying (Figure E).

Figure E

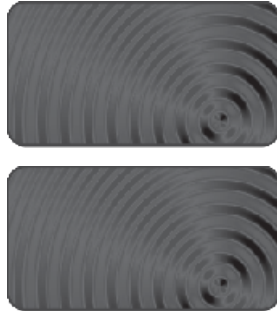


SAFETY DECALS

To promote safe operation, PECO supplies safety decals on all products manufactured. Damage can occur to safety decals either through shipment, use or reconditioning. Contact your local Service Center for replacement decals.



Part #: R1054
Important: Check Hoses Label



Part #: R1057
Red Reflector Label



Part #: R1051
Warning: Hearing Protection Label



Part #: R1065
Made In America Label



Part #: R1069
Warning: Turn Off Blower Label



Part # R4027
Made In The USA



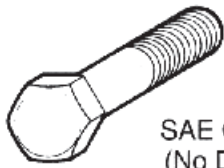
Part# R4008
Caution Rotating Blades Label



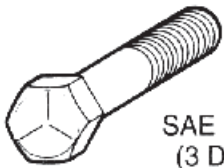
Part# R4015
Danger Rotating Blades Label

TORQUE SPECIFICATIONS

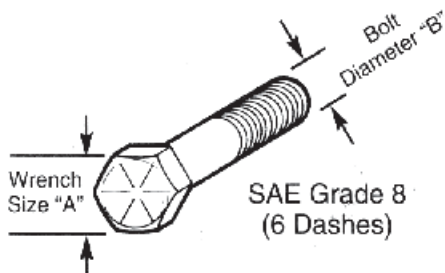
AMERICAN Bolt Head Markings



SAE Grade 2
(No Dashes)



SAE Grade 5
(3 Dashes)

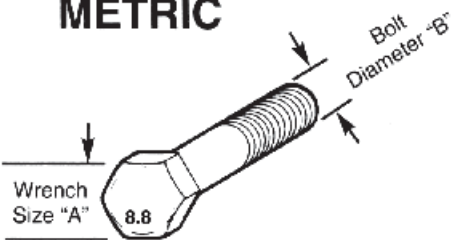


SAE Grade 8
(6 Dashes)

Recommended Torque in Foot Pounds (Newton Meters).*

WRENCH SIZE (IN.) "A"	BOLT DIAMETER (IN.) "B" AND THREAD SIZE	SAE GRADE 2	SAE GRADE 5	SAE GRADE 8
7/16	1/4 - 20 UNC	6 (7)	8 (11)	12 (16)
7/16	1/4 - 28 UNF	6 (8)	10 (13)	14 (18)
1/2	5/16 - 18 UNC	11 (15)	17 (23)	25 (33)
1/2	5/16 - 24 UNF	13 (17)	19 (26)	27 (37)
9/16	3/8 - 16 UNC	20 (27)	31 (42)	44 (60)
9/16	3/8 - 24 UNF	23 (31)	35 (47)	49 (66)
5/8	7/16 - 14 UNC	32 (43)	49 (66)	70 (95)
5/8	7/16 - 20 UNF	36 (49)	55 (75)	78 (106)
3/4	1/2 - 13 UNC	49 (66)	76 (103)	106 (144)
3/4	1/2 - 20 UNF	55 (75)	85 (115)	120 (163)
7/8	9/16 - 12 UNC	70 (95)	109 (148)	153 (207)
7/8	9/16 - 18 UNF	79 (107)	122 (165)	172 (233)
15/16	5/8 - 11 UNC	97 (131)	150 (203)	212 (287)
15/16	5/8 - 18 UNF	110 (149)	170 (230)	240 (325)
1-1/8	3/4 - 10 UNC	144 (195)	266 (360)	376 (509)
1-1/8	3/4 - 16 UNF	192 (260)	297 (402)	420 (569)
1-5/16	7/8 - 9 UNC	166 (225)	430 (583)	606 (821)
1-5/16	7/8 - 14 UNF	184 (249)	474 (642)	668 (905)
1-1/2	1 - 8 UNC	250 (339)	644 (873)	909 (1232)
1-1/2	1 - 12 UNF	274 (371)	705 (955)	995 (1348)
1-1/2	1 - 14 UNF	280 (379)	721 (977)	1019 (1381)
1-11/16	1-1/8 - 7 UNC	354 (480)	795 (1077)	1288(1745)
1-11/16	1-1/8 - 12 UNF	397 (538)	890 (1206)	1444 (1957)
1-7/8	1-1/4 - 7 UNC	500 (678)	1120 (1518)	1817 (2462)
1-7/8	1-1/4 - 12 UNF	553 (749)	1241 (1682)	2013 (2728)
2-1/16	1-3/8 - 6 UNC	655 (887)	1470 (1992)	2382 (3228)
2-1/16	1-3/8 - 12 UNF	746 (1011)	1672 (2266)	2712 (3675)
2-1/4	1-1/2 - 6 UNC	870 (1179)	1950 (2642)	3161 (4283)
2-1/4	1-1/2 - 12 UNF	979 (1327)	2194 (2973)	3557 (4820)

METRIC



Numbers appearing on bolt heads indicate ASTM class.

Recommended torque in foot pounds (newton Meters).*

WRENCH SIZE (mm) "A"	BOLT DIA. (mm) "B"	ASTM 4.6	ASTM 8.8	ASTM 9.8	ASTM 10.9
8	5	1.8 (2.4)		5.1 (6.9)	6.5 (8.8)
10	6	3 (4)		8.7 (12)	11.1 (15)
13	8	7.3 (10)		21.1 (29)	27 (37)
16	10	14.5 (20)		42 (57)	53 (72)
18	12	25 (34)	74 (100)	73 (99)	93 (126)
21	14	40 (54)	118 (160)	116 (157)	148 (201)
24	16	62 (84)	167 (226)	181 (245)	230 (312)
30	20	122 (165)	325 (440)		449 (608)
33	22		443 (600)		611 (828)
36	24	211 (286)	563 (763)		778 (1054)
41	27		821 (1112)		1138 (1542)
46	30	418 (566)	1119 (1516)		1547 (2096)

*Use 75% of the specified torque value for plated fasteners. Use 85% of the specified torque values for lubricated fasteners.



Unit Model #: 49120907 / 629HD-001A

Mower: Country Clipper

Owner's Manual: Q0502

Mower Type: Avenue & Boulevard

Engine Type: KW FR730V & FS651V - KH 27HP

Deck Size: Avenue 42" & 54" & Boulevard 48" & 54"

Vac Type:

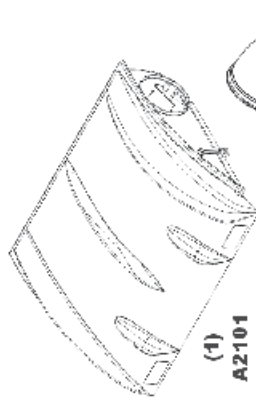
Deck Type:

Drive Type: Direct Flow

Revision #: 2 - Updated Vac Kit & MY - JPS 4/25/19

Fits Year(s): 2015 - Newer

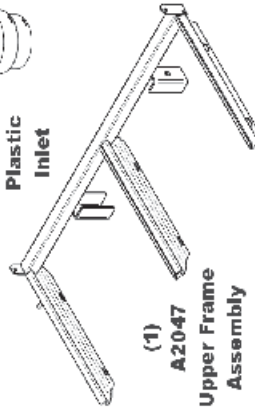
Vac Kit A2023



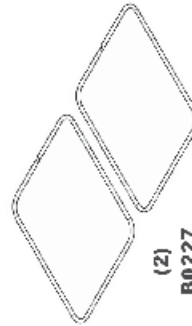
(1)
A2-101
Top Assy



(1)
V0025
6" x 7"
Plastic
Inlet



(1)
A2047
Upper Frame
Assembly

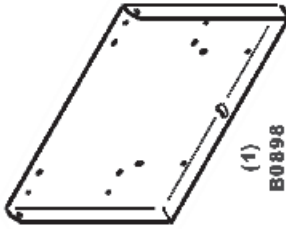


(2)
B0227
Bag Ring



(1)
HB0622
Vac Kit
Hardware
Bag

Mount Kit A2036



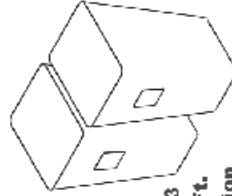
(1)
B0898
Rear Mount
Plate



(2)
B0899
Mount Plate
Brace



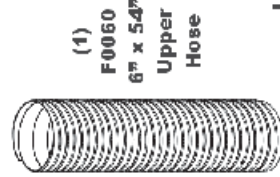
(2)
J0060
6" Spirofil
Clamps



(2)
G0003
4 Cu. Ft.
Collection
Bags



(2)
B0640
Lwr. Mnt.
Tube

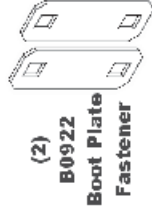


(1)
F0060
6" x 54"
Upper
Hose



(1)
HB0655
Mount Kit
Hardware Bag

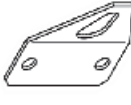
A2037 Boot Kit



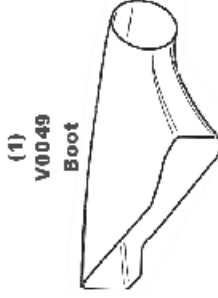
(2)
B0922
Boot Plate
Fastener



(1)
B0921
Rear Boot
Plate



(1)
B0920
Front Boot
Plate

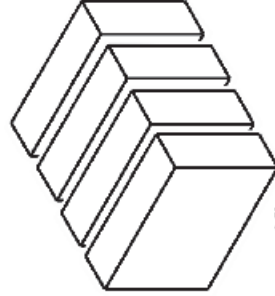


(1)
V0049
Boot

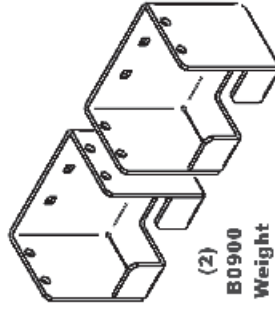


(1)
HB0656
Boot Kit
Hardware
Bag

A2038 Weight Kit



(4)
B0741
5.5"
Weight
Bar



(2)
B0900
Weight
Bracket



(2)
B0834
Weight Bracket
Clamp



(1)
HB0657
Weight Kit
Hardware Bag

Notes:

DOCUMENT THE FOLLOWING INFORMATION FOR FUTURE REFERENCE

Unit Model Number: _____

Unit Engine Size: _____

Unit Serial Number: _____

Date of purchase: ____ / ____ / ____

Dealer/Distributor Name: _____

Address: _____ **State:** _____ **Zip:** _____

Phone Number: _____

New PECO, Inc.
10 Walden Dr Arden, North Carolina 28704
Phone: 1-800-438-5823 | 828-684-1234
Fax: 828-684-0858
Email: peco@lawnvac.com
Website: www.lawnvac.com

Notes:



New PECO, Inc.

10 Walden Dr | Arden, North Carolina 28704

Phone: 1-800-438-5823 | 828-684-1234

Fax: 828-684-0858

Email: peco@lawnvac.com

Website: www.lawnvac.com