



**Unit Model #: 38621244**

**Mower:** Dixie Chopper

**Owner's Manual:** Q0505

**Mower Type:** Classic 2750KW, 2760KW, 3160HP  
3160EFI

**Engine Type:** KW FX27, KW FX31 and KH EFI31

**Deck Size:** 50" & 60"

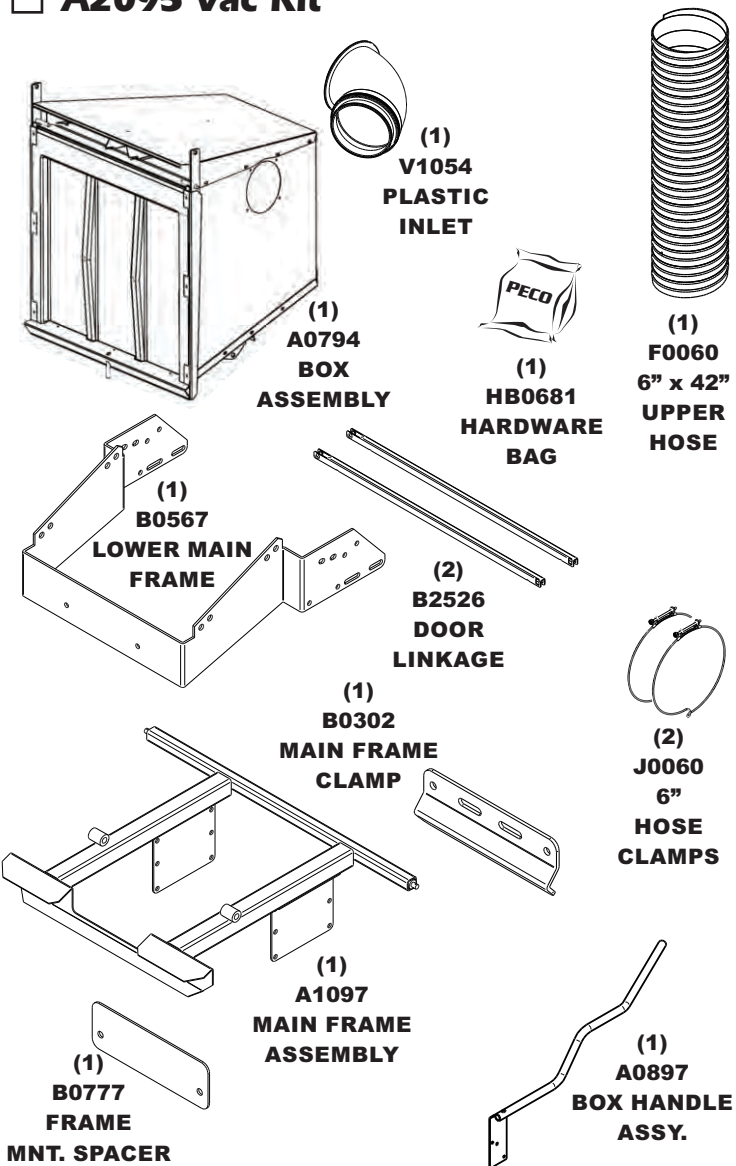
**Vac Type:** 12 Cu. Ft. Pro 12 DFS

**Revision #:**

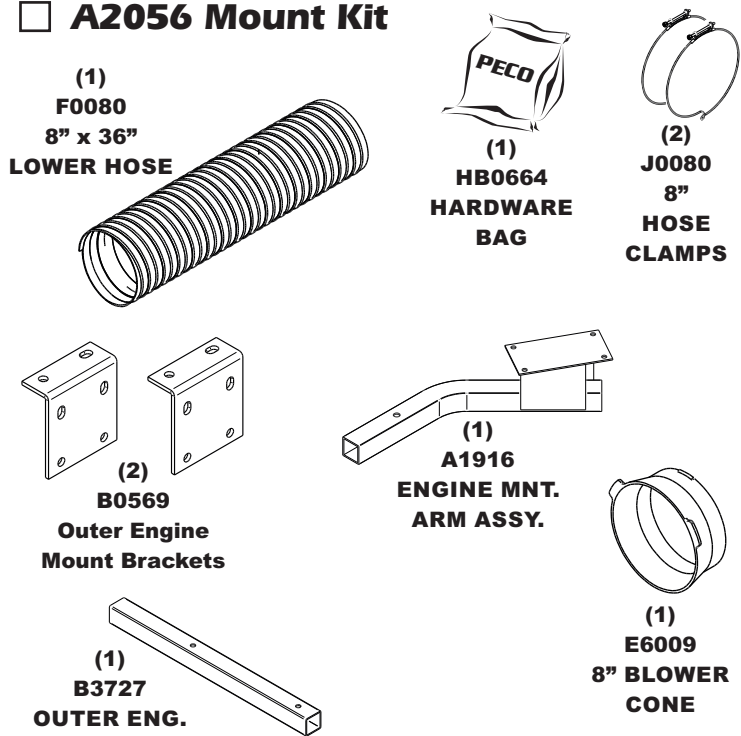
**Drive Type:** Briggs & Stratton 6.5HP Vanguard

**Fits Year(s):** 2015-2019

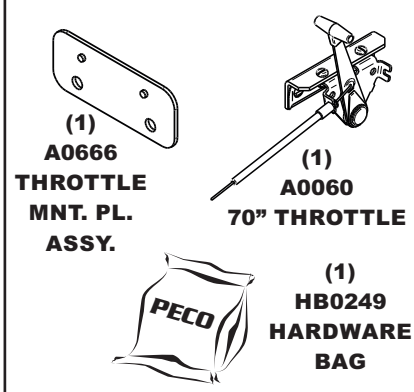
**A2095 Vac Kit**



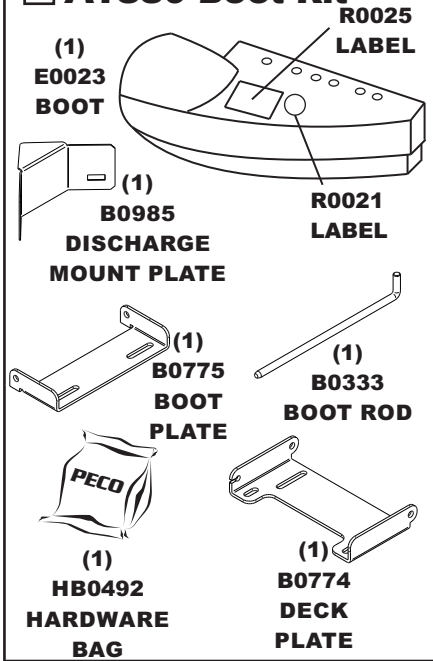
**A2056 Mount Kit**



**A0619 Throttle Kit**



**A1880 Boot Kit**



**A2094 Weight Kit**

